



PRODUCT MANUAL

Assembly & Operational Instructions



INDIA'S NO 1 BRAND

STREET

RIDER

LFB-R1-Pol



LFB-R1PPG



LFB-R1SM



LFB-R1B10



IS15644:2006



CM/L6700079217

www.bis.gov.in

The Leotoon Battery Operated Rideon are Manufactured in Accordance with the Product Safety Standards to ISO8124, EN71, ASTM F963, ST, GCC, AS/NZS 8124, CCPSA, 55474

Scan QR to Download Catalogue



Thank You

We are incredibly grateful for your support and trust in our products. your Satisfaction is our priority and we ensure you have the best experience with us. If you encounter any issues with your order; such as damaged products or missing parts, Please contact us at **+91-9176796955**, or email us at **Customercare@ParulToys.co.in**. Our Support team is available Monday to Saturday from 9 AM to 6 PM, ready to assist you.

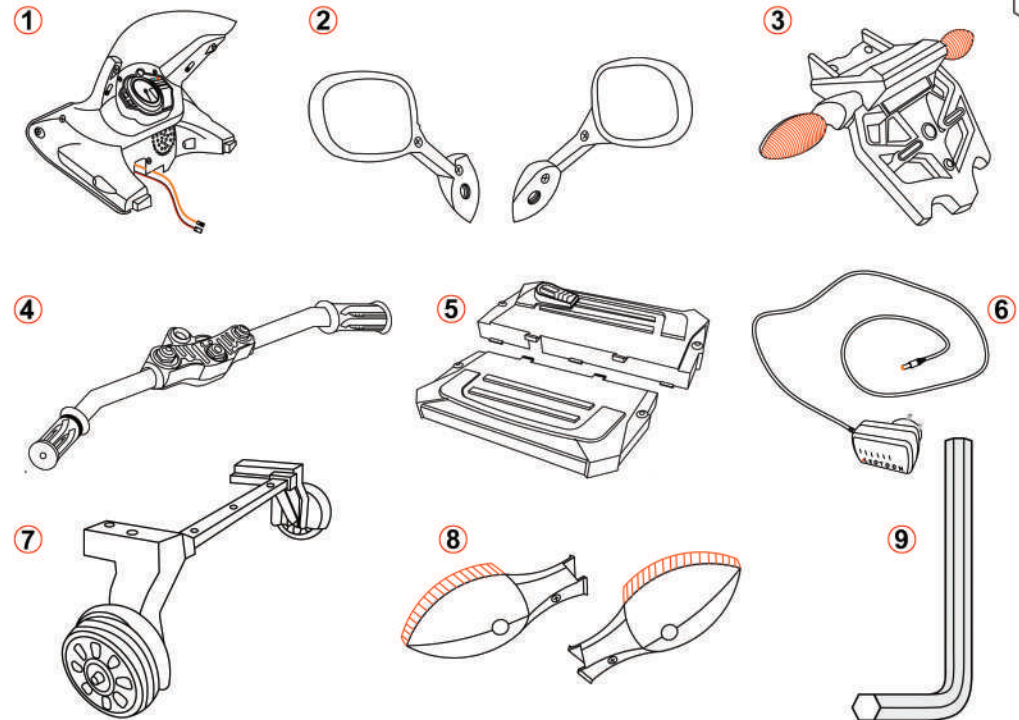


Leoboon

SPECIFICATION

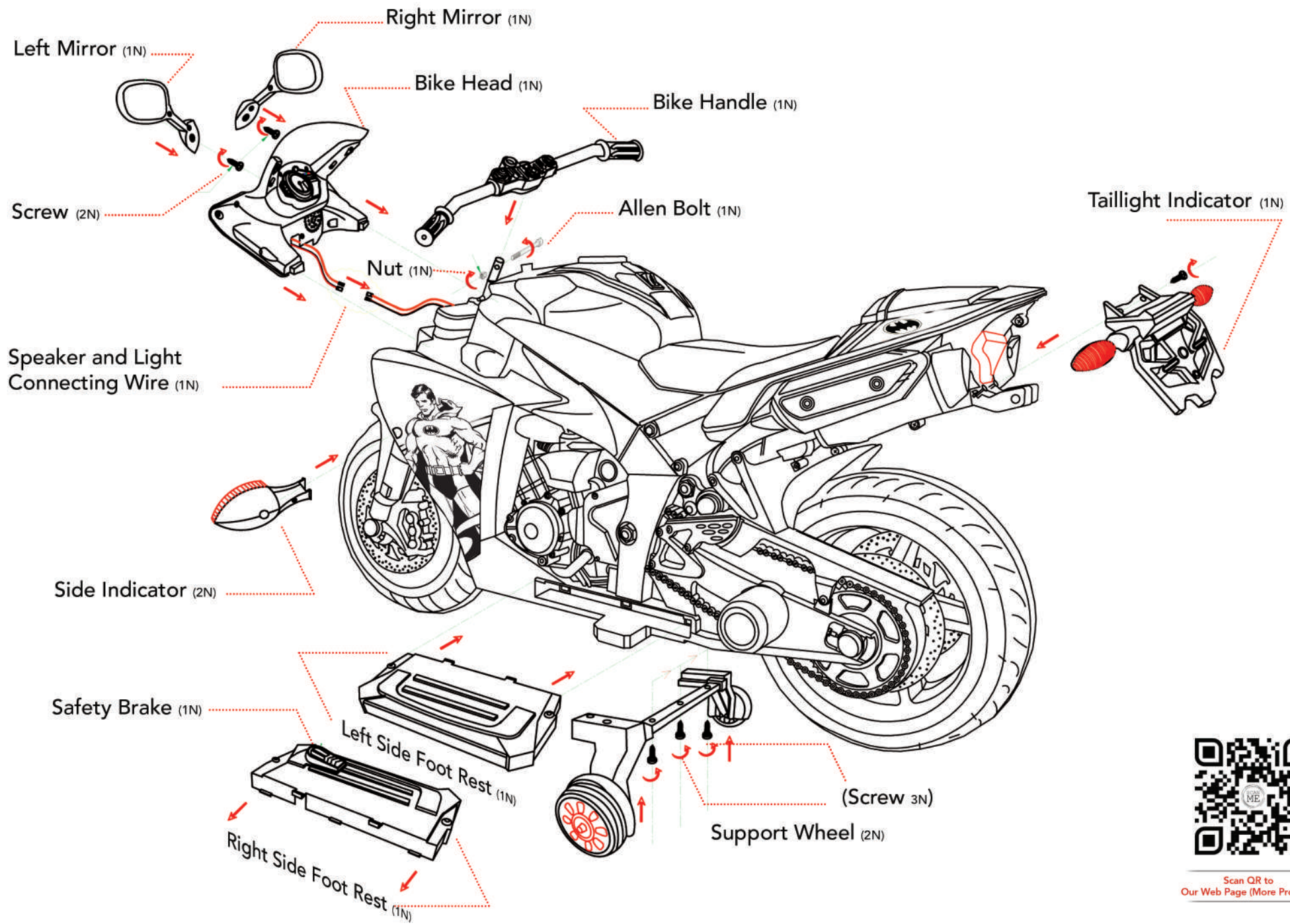
Model Number	LFB-R1
Battery Specification	1B (12V/5AH) VRLA Battery
Motor Specification	1M (550W) 12V/30000 RPM
Accelerator	Hand Accelerator
Age	3 to 8 Years
Package Dimensions	L112 * W37 * H61 (Cm)
Product Dimensions	L110 * W35 * H59 (Cm)
Gross Weight	15.820 Kg
Net Weight	12.560 Kg
Input Power Supply	AC 220~240V; 50Hz
Output Power Supply	DC 12V/1000mA
Charging Time	8~12 Hours
Running Time	2~3 Hours
Rechargeable Life	About 300 Times

All Parts to be Assembled by Customer Only

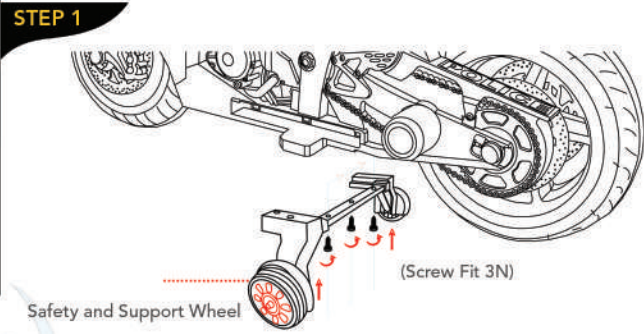


Bat Bike Parts List

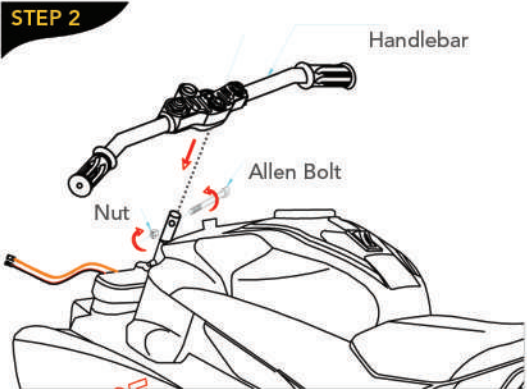
1	Bike Head (1N)	6	12V Charger (1N)
2	Side Mirror Set (2N)	7	Support Wheel (1N)
3	Number Plate (1N)	8	Side Indicator (2N)
4	Bike Handle (1N)	9	Allen Key (1N)
5	Padel with Brake Set (1N)	10	Owners Manual (1N)



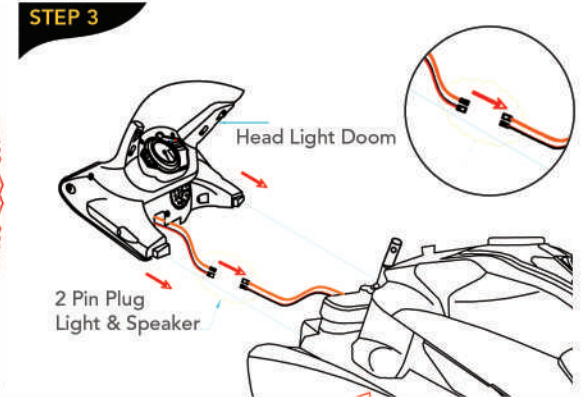
Scan QR to Our Web Page (More Product)



Support Wheel Assembly



Handle Assembly

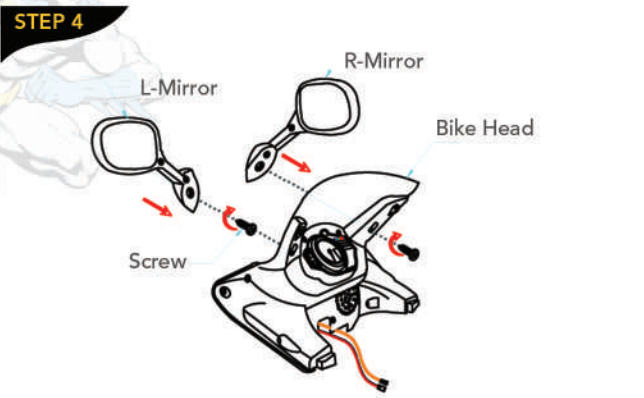


Head Assembly

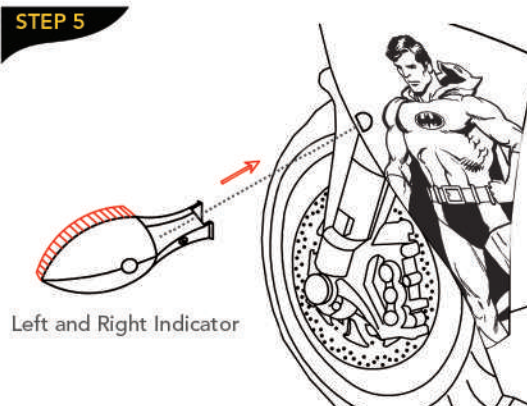
Step 1 : Screw Fit the Safety Support wheel to Bike Body bottom.

Step 2A : Please fix the Handle to Bike Body
Step 2B : Lock with allen bolt and nut

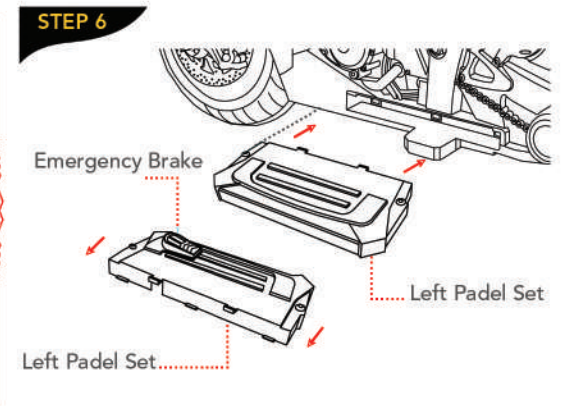
Step 3A : Please Connect the Head (Light) and Body 2 Connectors
Step 3B : Please Fix to Head with Body



Mirror Assembly



Indicator Assembly

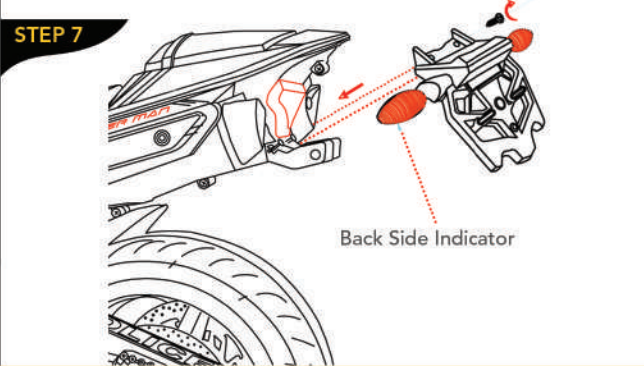


Foot Padel Assembly

Step 4A : Screw Fit the Mirror to Bike Head.

Step 5A : Snap Fit Right Side Indicator to Bike
Step 5B : Snap Fit Left Side Indicator to Bike

Step 6A : Snap Fit the Right Side Pedal to Bike Body
Step 6B : Snap Fit the Left Side Pedal to Bike Body



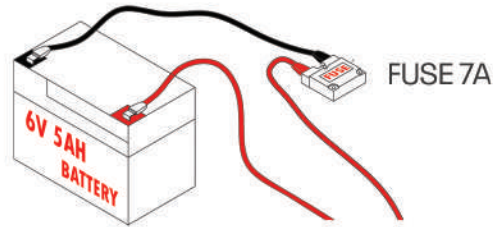
Number Plate Assembly

Assembly Steps

- * This product requires adult assembly. Please set aside at least 40 minutes for assembly.
- * Children can be harmed by small parts, sharp edges and sharp points in the bike's unassembled stage. Care should be taken while unpacking and assembly of the bike. Children should not handle parts, or help in assembly of the bike.
- * Please identify all parts before assembly and save all packaging material until assembly is complete to ensure that no parts are missing.
- * Assembly tools needed: *Screwdriver (Not included), & Spanner (Not Included)*



Step 7A : Screw Fit the Back Side Number Plate with Indicator



Problems : **BIKE DO NOT START**

Possible Cause 1 : **Thermal Fuse Has Tripped**

This Bike is equipped with a self-resetting fuse. When the Bike is overloaded or operated incorrectly; the self-resetting fuse will be cut off for 60 seconds before becoming operational again. The Self-resetting fuse is under the seat.

To Avoid the fuse cut off the power, follow these guidelines

- DO NOT overload the Bike, Maximum weight allowed is 30 Kg only.
- DO NOT tow anything behind the Bike.
- DO NOT drive up steep slopes.
- DO NOT drive into fixed objects, causing wheels to spin, thus overheating the motor.
- DO NOT drive in very hot weather, components may get overheated.
- DO NOT tamper with electric system, doing so may short Circuit, Causing fuse to trip.

Possible Cause 2 : **Battery Connector or Wires are Loose**

Make sure the battery connectors are firmly plugged into each other.

Possible Cause 3 : **Battery is Dead**

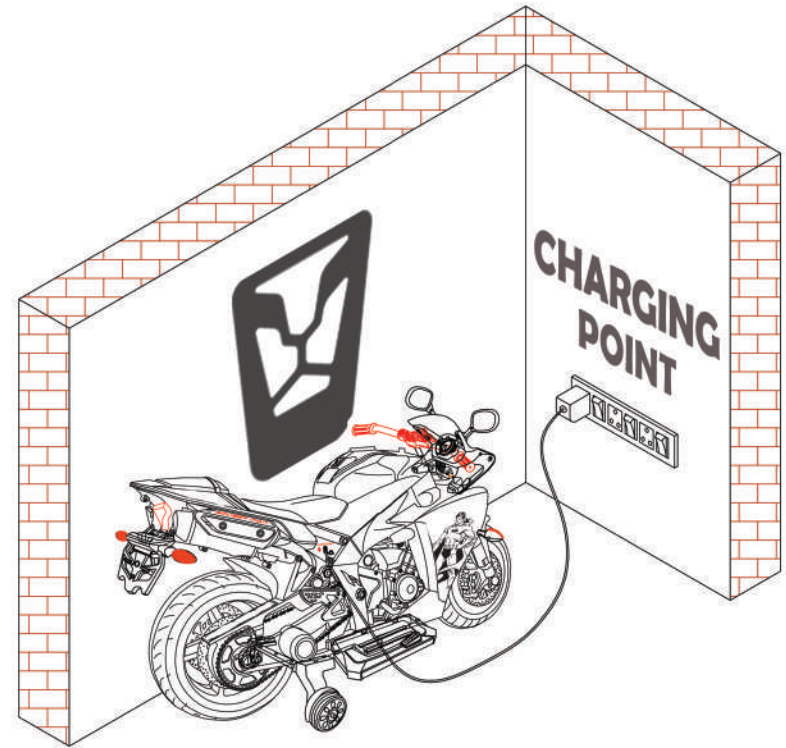
Have you properly maintained the battery according to the directions ? Is the battery Old ? Your battery may need a replacement.

Possible Cause 4 : **Electric System or Motor is Damaged**

Water may have corroded the system, or loose dirt, gravel or sand might have jammed the switch. The motor needs professional repair.

Problem : **Battery Does Not Charge**

- Battery Connector or Adapter Connector is Loose:** Make sure the battery connector and adapter connector are firmly plugged together.
- Charger is Not Plugged in:** Make sure the charger is plugged into the wall outlet and the power flow to the outlet is on.
- Charger is Not Working:** Is the charger working while charging ? Charger not working might need to be replaced.



Battery Charging

Plug the charger connector into the battery socket. Then plug the charger into a standard wall outlet. Use the charger only in a wall outlet. Do not plug the charger into a ceiling outlet.

If power flow to the wall outlet is controlled by a switch, make sure the switch is "ON"

Once the battery is charged, remove the charger connector from the battery and then unplug the charger from the wall outlet. (Refer to the battery installation section how to install your battery. If your battery is already installed in your Bike, simply reconnect the motor harness connector to the battery.

Adults Note: Periodically examine this battery charger for damage to the cord, housing or other parts that may result in the risk of fire, electric shock or injury. If the battery charger is damaged, do not use it.

Make sure you charge the battery for at least 12 hours using the enclosed 12 volt charger before operating your vehicle for the first time.

Charge the battery for at least 8 hours after each use of the bike.

Do not remove the battery from your bike to recharge it. Never charge the battery longer than 24 hours. Failure to follow these instructions may damage your battery and will void your warranty.

Before charging the battery, examine the battery case for cracks and other damage which may cause electrolyte to leak during the charging Process. Battery acid is very corrosive and can cause severe damage to surface it contacts with.

Charge the battery in a well ventilated area.

Warranty Service

All Leotoon consumer products are covered against manufacturing defects.(If any) Warranty Coverage : 1 Month

Please Note : Purchase receipt is necessary for warranty verification **Customer Care :** Customercare@ParulToys.co.in

Customer Details : **Name :** **Address :** **Mobile No :**

Product Details : **Model No:**.....**Invoice No:**.....**Invoice Date:**.....



Customer Complaint



...a brand by **Parul Toys India Private Limited**

Factory : Plot 23-24, Sumangali Nagar, Vadaperumbakkam, Chennai-600060

Corporate Office : Suite I, 766, Shakti Tower, 6th Floor, Mount Road, Chennai-2

Web: www.parulToys.co.in **Follow us:** /leotoonindia

Customer Care : +91 917-679-6955 ; Customercare@ParulToys.co.in



Company Owned Brands :

Also Available Licensed Versions :

