



VORON 0 ASSEMBLY MANUAL

We build space shuttles with gardening tools
so anyone can have a space shuttle of their own.

VERSION 2021-06-13



Before you begin on your journey, a word of caution.

In the comfort of your own home you are about to assemble a robot. This machine can maim, burn, and electrocute you if you are not careful. Please do not become the first VORON fatality. There is no special Reddit flair for that.

Please, read the entire manual before you start assembly. As you begin wrenching, please check our Discord channels for any tips and questions that may halt your progress.

Most of all, good luck!

THE VORON TEAM

Introduction	04
Hardware	06
Frame	12
A/B Drive	40
A/B Idler	52
Z Axis	58
X Axis	66

Belts	080
Print Bed	088
End Stops	098
Print Head	104
Electronics	124
Skirts & Panels	142
Top Hat	152

PART PRINTING GUIDELINES

The Voron Team has provided the following print guidelines for you to follow in order to have the best chance at success with your parts. There are often questions about substituting materials or changing printing standards, but we recommend you follow these.

3D PRINTING PROCESS

Fused Deposition Modeling (FDM)

INFILL TYPE

Grid, Gyroid, Honeycomb, Triangle or Cubic

MATERIAL

ABS

INFILL PERCENTAGE

Recommended: 40%

LAYER HEIGHT

Recommended: 0.2mm

WALL COUNT

Recommended: 4

EXTRUSION WIDTH

Recommended: Forced 0.4mm

SOLID TOP/BOTTOM LAYERS

Recommended: 5

PRINT IT FORWARD (PIF)

Often times community members that have issues printing ABS will bootstrap themselves into a VORON using our Print It Forward program. This is a service where approved members with VORON printers can make you a functional set of parts to get your own machine up and running.

Check Discord if you have any interest in having someone help you out.

HOW TO GET HELP

If you need assistance with your build, we're here to help. Head on over to our Discord group and post your questions. This is our primary medium to help VORON Users and we have a great community that can help you out if you get stuck.



<https://discord.gg/voron>

THIS IS JUST A REFERENCE

This manual is designed to be a simple reference manual. Building a Voron can be a complex endeavour and for that reason we recommend downloading the CAD files off our Github repository if there are sections you need clarification on. It can be sometimes be easier to follow along when you have the whole assembly in front of you.



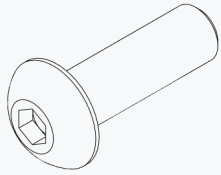
<https://github.com/vorondesign>



<https://docs.vorondesign.com/>

HARDWARE REFERENCE

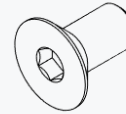
WWW.VORONDESIGN.COM



BUTTON HEAD CAP SCREW (BHCS)

Metric fastener with a domed shaped head and hex drive. Most commonly found in locations where M3 fasteners are used.

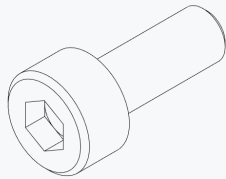
ISO 7380-1



FLAT HEAD COUNTERSUNK SCREW (FHCS)

Metric fastener with a cone shaped head and a flat top.

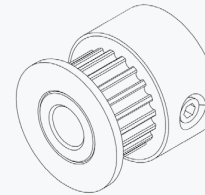
ISO 10642



SOCKET HEAD CAP SCREW (SHCS)

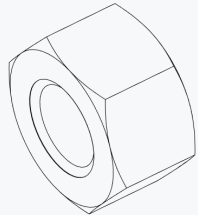
Metric fastener with a cylindrical head and hex drive. The most common fastener used on the Voron.

ISO 4762 / DIN 912



PULLEY

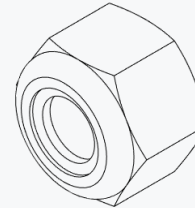
GT2 pulley used on the motion system of the Voron.



HEX NUT

Hex nuts couple with bolts to create a tight, secure joint. You'll see these used in both M2 and M3 variants throughout this guide.

ISO 4032 / DIN 934



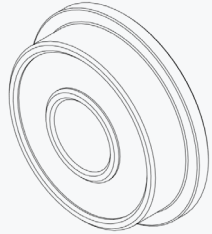
LOCK NUT

Hex nut with a nylon filled center which prevents the components from loosening.

ISO 10511 / DIN 982

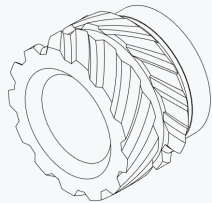
HARDWARE REFERENCE

WWW.VORONDESIGN.COM



F623 BEARING

A ball bearing with a flange used in various gantry locations.



HEAT SET INSERT

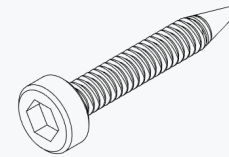
Heat inserts with a soldering tip so that they melt the plastic when installed. As the plastic cools, it solidifies around the knurls and ridges on the insert for excellent resistance to both torque and pull-out.



SHIM

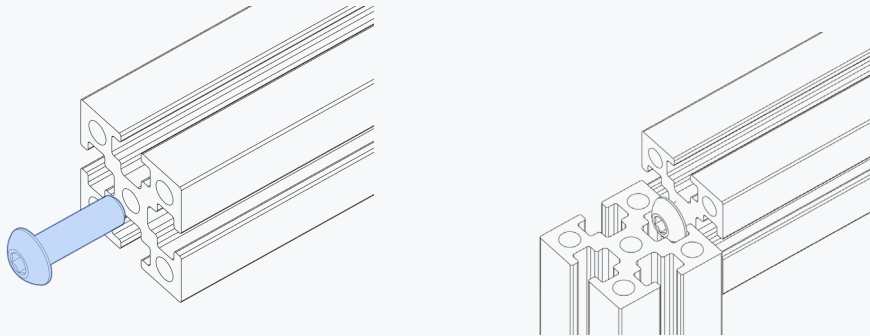
Not to be confused with stamped washers. These are used in all M3 call-out locations in this manual. 3x6x0.5

DIN 988



SELF TAPPING SCREW

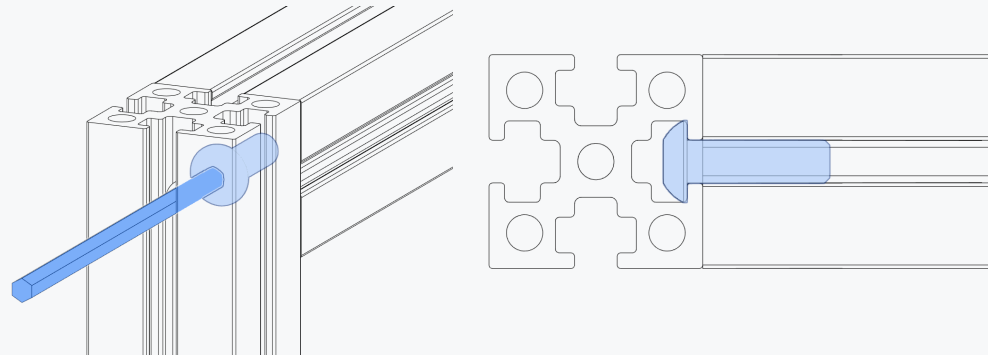
Fastener with a pronounced thread profile that is screwed directly into plastic.



BLIND JOINT BASICS

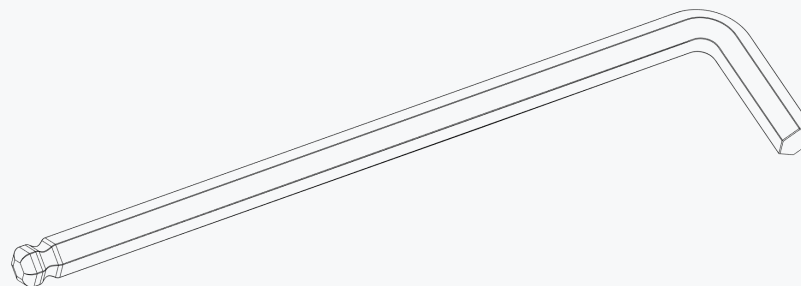
Blind Joints provide a cost effective and rigid assembly method.

The head of the BHCS is slid into the channel of another extrusion and securely fastened through a small access hole in the extrusion.



BALL-END DRIVER

Some parts of this design require the use of a ball-end hex driver for assembly. We recommend you get a 1.5mm, 2mm and 2.5mm one.



2MM HEX DRIVER

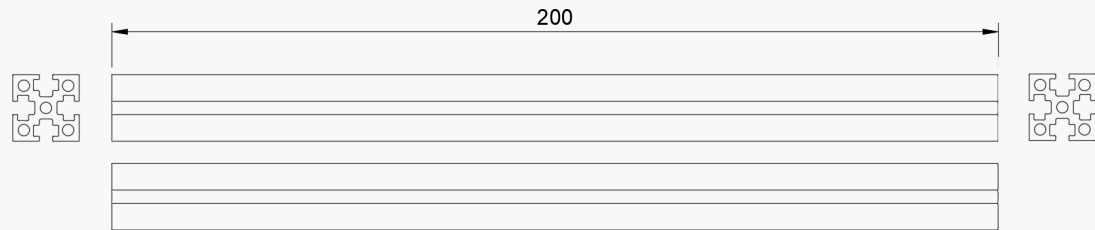
The 2mm hex driver will see a lot of use in this build. A quality driver is strongly recommended. Refer to the sourcing guide for suggestions.



EXTRUSION REFERENCE

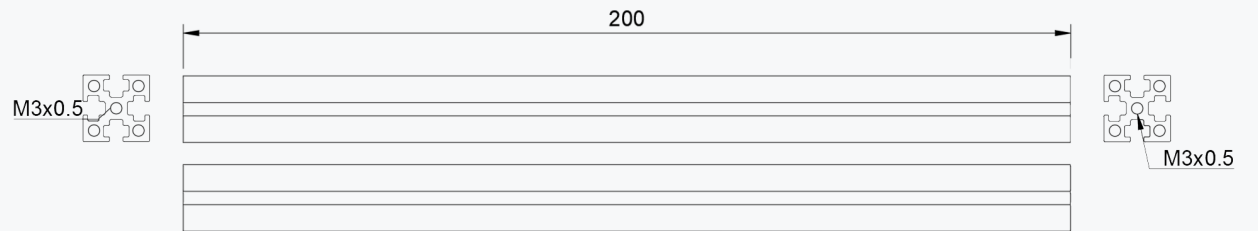
"A EXTRUSION"

Qty 1



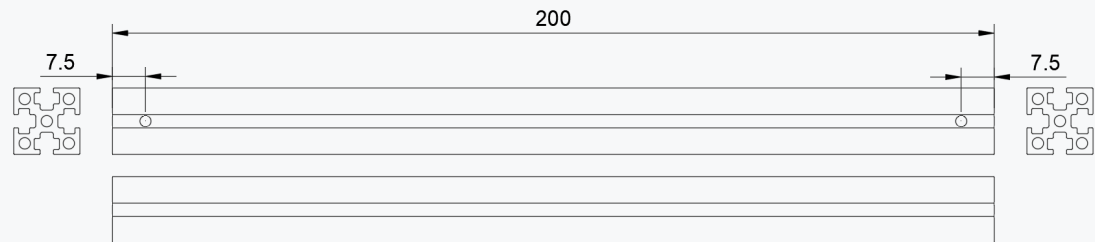
"B EXTRUSION"

Qty 5



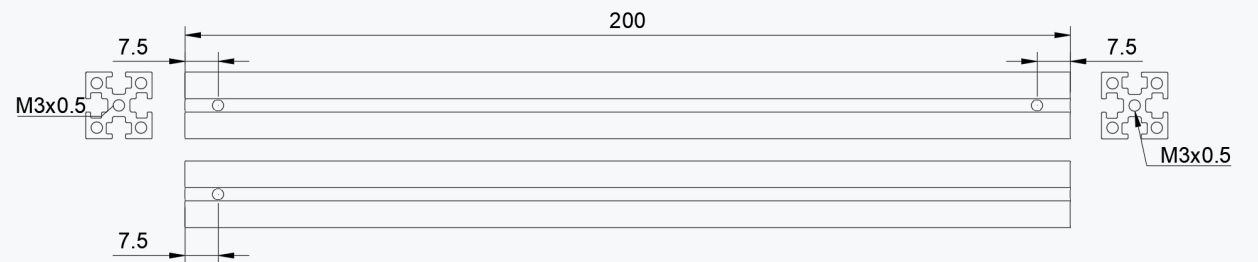
"C EXTRUSION"

Qty 2



"D EXTRUSION"

Qty 2



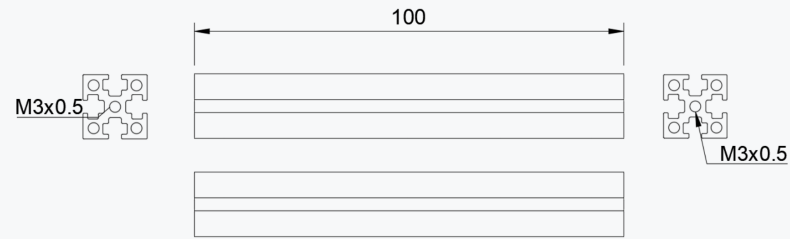
"E EXTRUSION"

Qty 4



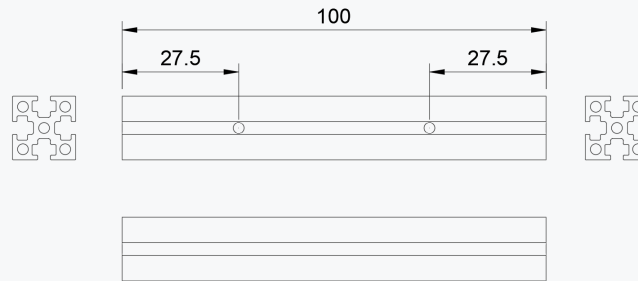
"F EXTRUSION"

Qty 2



"G EXTRUSION"

Qty 1



"H EXTRUSION"

Qty 2



EXTRUSION CALL OUTS

To avoid confusion we will call out the extrusions by the names shown on this reference pages.

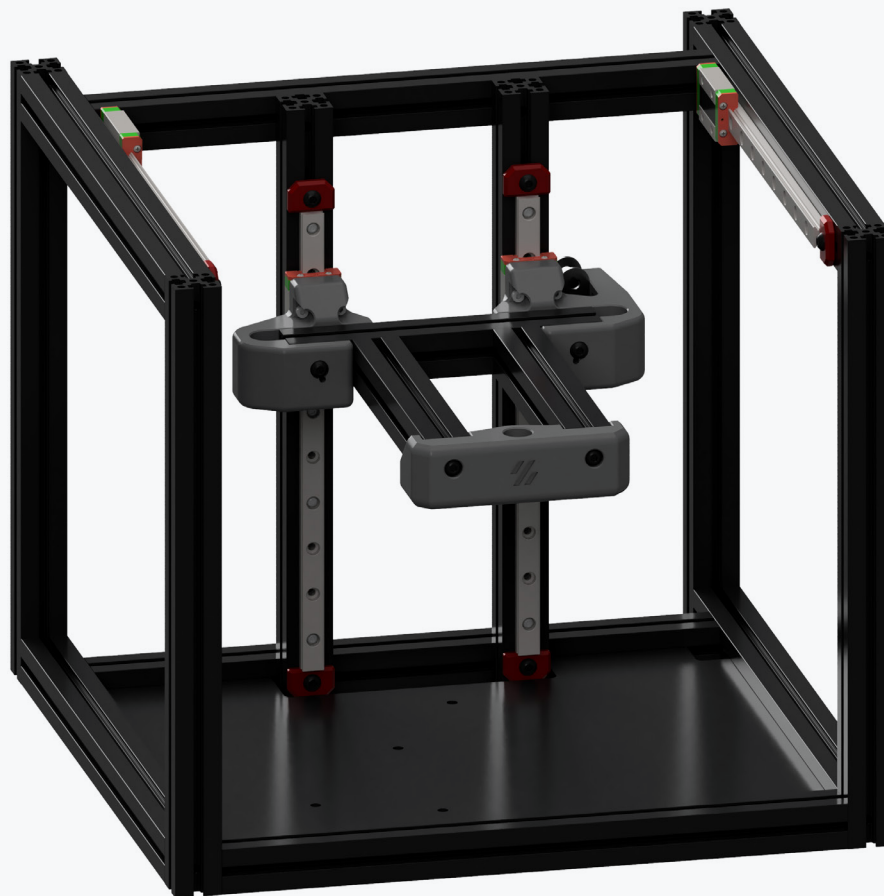
To help assembly along you may want to label the extrusions or print the reference for a faster lookup.

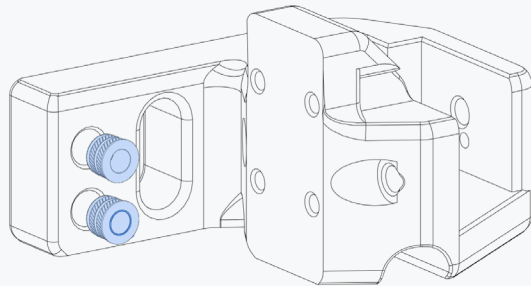
ALL UNITS ARE METRIC

If a unit is not specified assume it's metric.

FRAME

WWW.VORONDESIGN.COM





Heat Set Insert

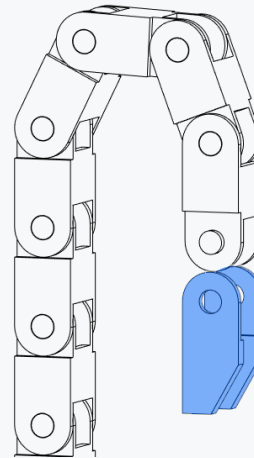
HEAT SET INSERTS

This design relies heavily on heat set inserts. Make sure you got the proper inserts (check the hardware reference for a close up picture).

If you've never worked with heat set inserts before we recommend you watch a guide.



<https://voron.link/cubk4lh>



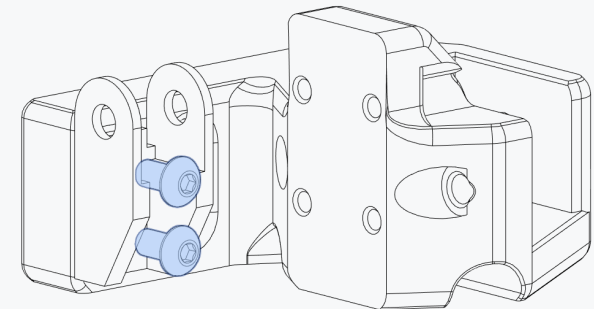
Cable Chain

REMOVE END LINK

Reattaching the chain later makes the assembly a lot easier.

CHAIN VISIBILITY

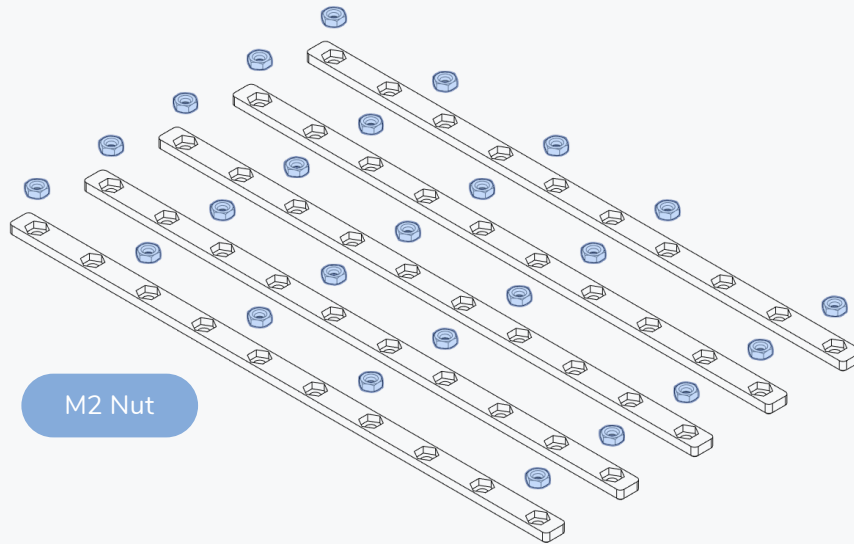
We won't be showing the chain in later pictures.



M3x8 BHCS

NUT ADAPTER STRIPS

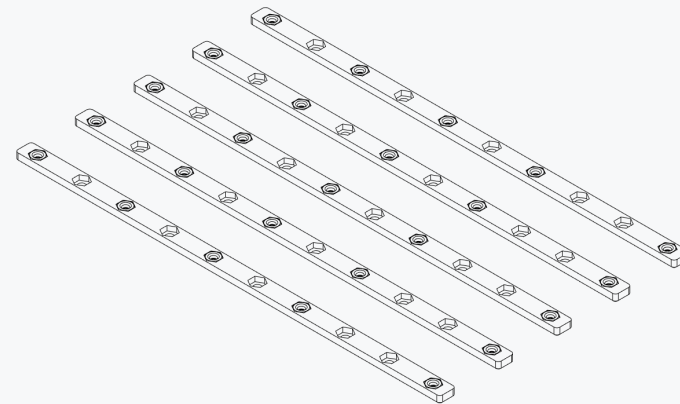
WWW.VORONDESIGN.COM

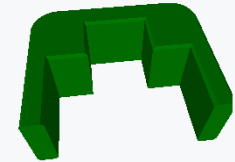
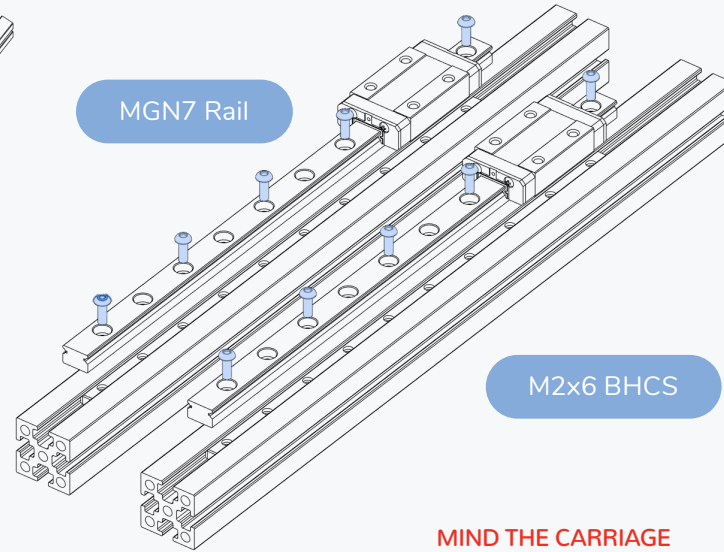
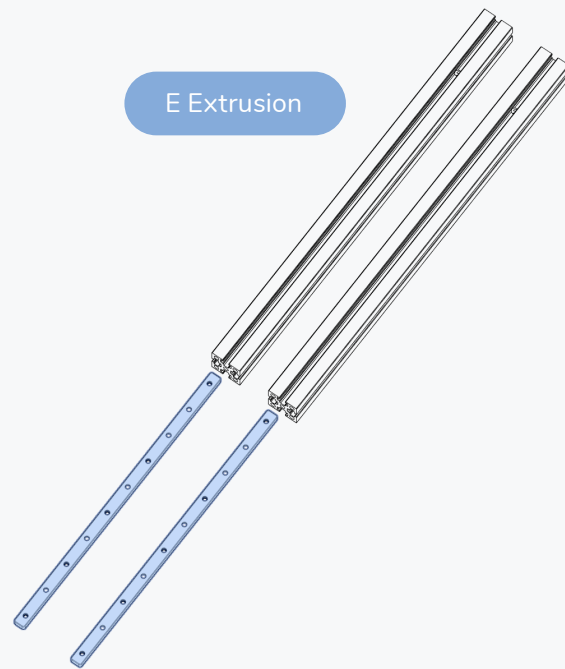


POPULATING NUT CARRIERS

Depending on how much M2 hardware you sourced you may not be able to fully populate the M2 Nut Adapters.

To fully populate all 5 adapters you need 50 M2x6 screws and M2 nuts.





**CENTRED RAIL
INSTALLATION GUIDE**

Use the guides to position the rail in the centre of the extrusion prior to fastening the screws.

MIND THE CARRIAGE

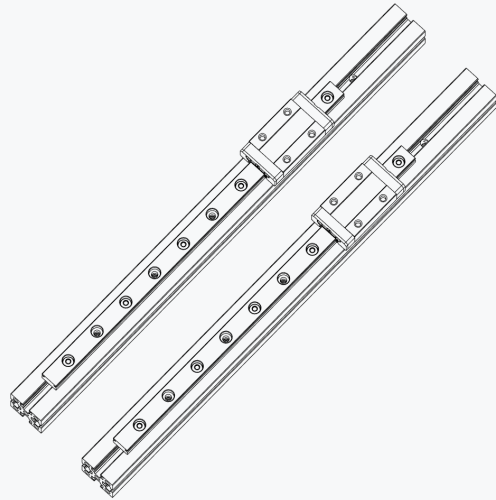
The carriages are designed to slide along the rail easily. This unfortunately also includes sliding off the rails.

Dropping the carriage likely irreparably damages it.



MIND THE ACCESS HOLE POSITION

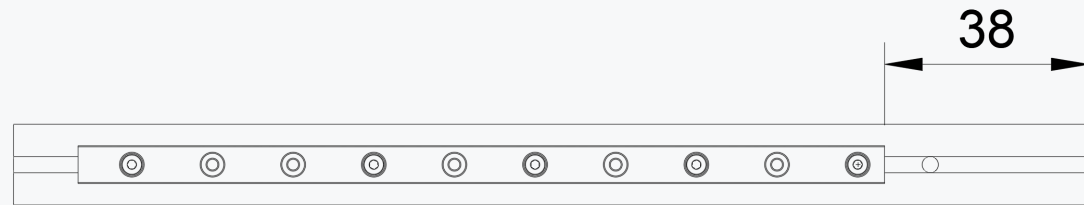
We do our best to call out things that may bite you later in the assembly process. If in doubt please refer to the CAD model, it might save you some considerable time down the road.



RAIL POSITIONING

Use the centring guides to align the rails on the extrusion.

Position the end of the rail 38mm from the extrusions edge.



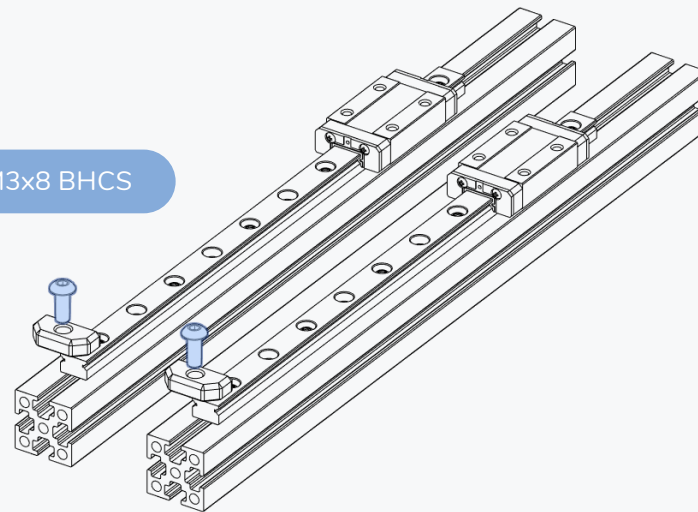
PREVENTING MISHAPS

During assembly some rail ends won't be supported by stoppers that prevent the carriage from coming of the rails. Some rails come with little plastic stop pins, you can leave those in place for the assembly.

If your rail does not have these stop pins leave the last screws slightly loose to act as a stopper.

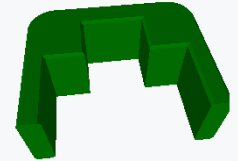
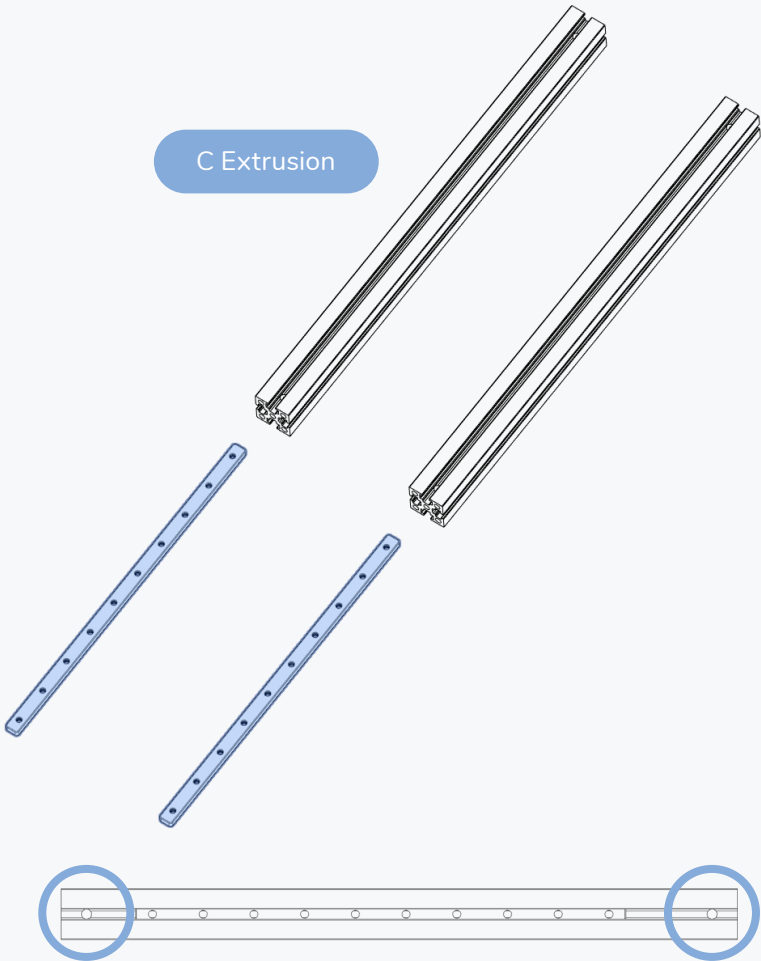
Alternatively use some tape to fix the carriage in place.

M3x8 BHCS



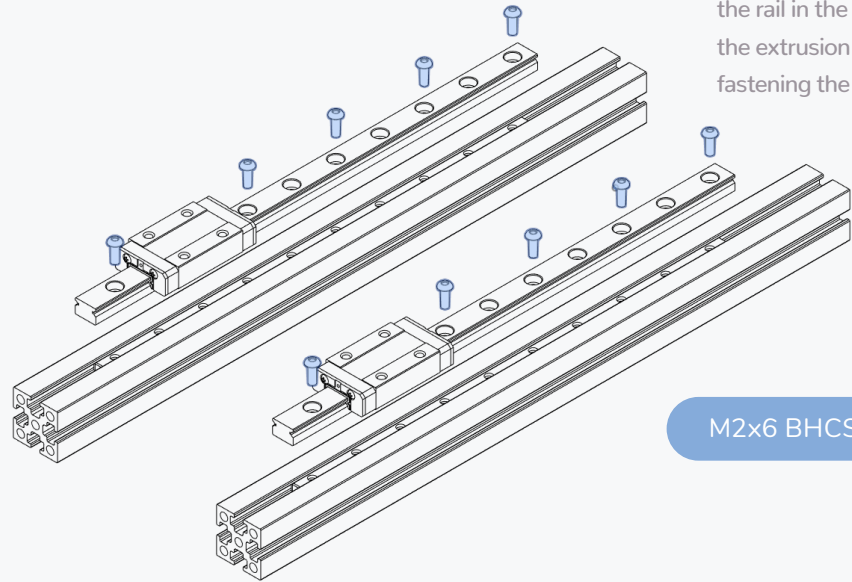
Z RAILS

C Extrusion



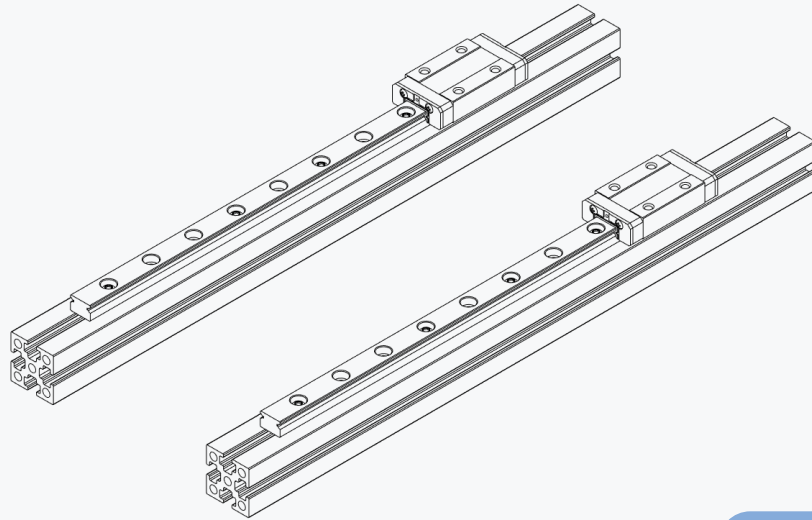
CENTRED RAIL INSTALLATION GUIDE

Use the guides to position the rail in the centre of the extrusion prior to fastening the screws.



M2x6 BHCS

Z RAILS

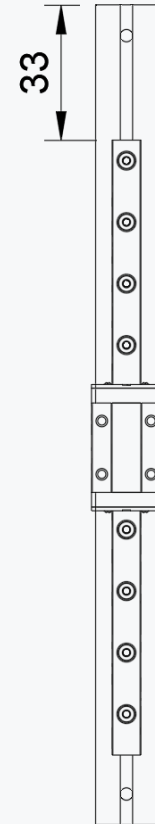


M3x8 BHCS

RAIL POSITIONING

Use the centring guides to align the rails on the extrusion.

Position the end of the rail 33 mm from the extrusions edge.

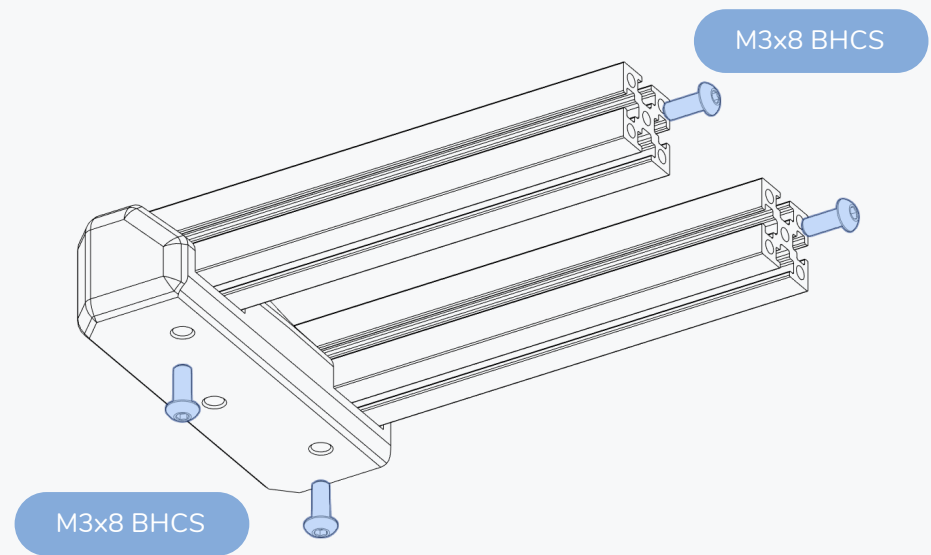
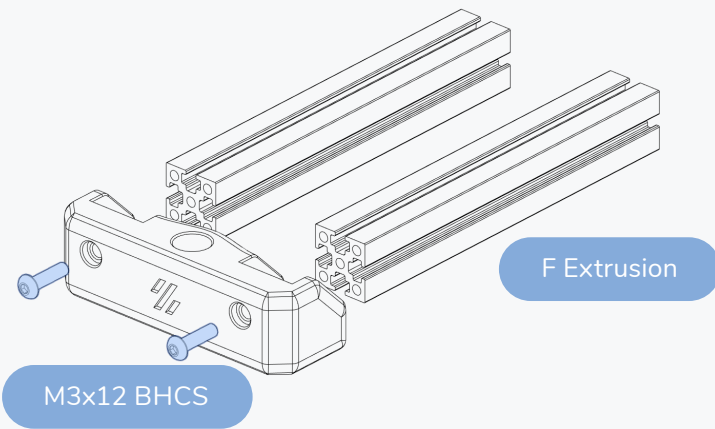


WHERE'S THE NUT?

The instructions won't call out nuts that were inserted in a previous step, nor nuts that can be easily inserted in the current step.

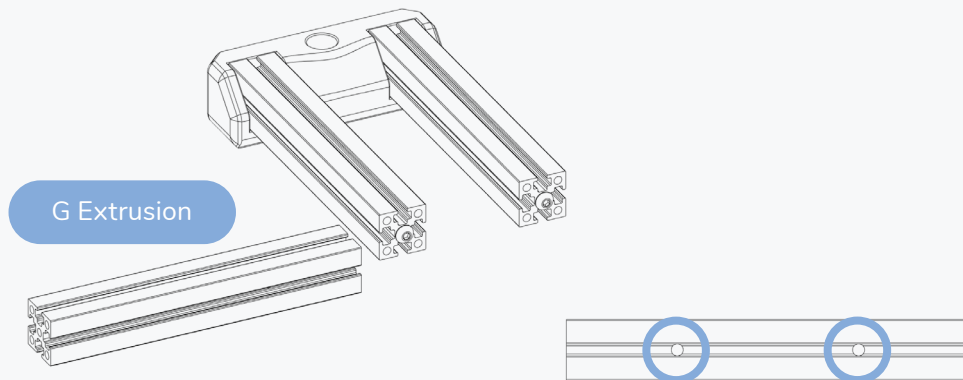
NO STOPPERS AT THIS END (..YET)

Mind the carriage. You may want to use some sticky tape to prevent mishaps.



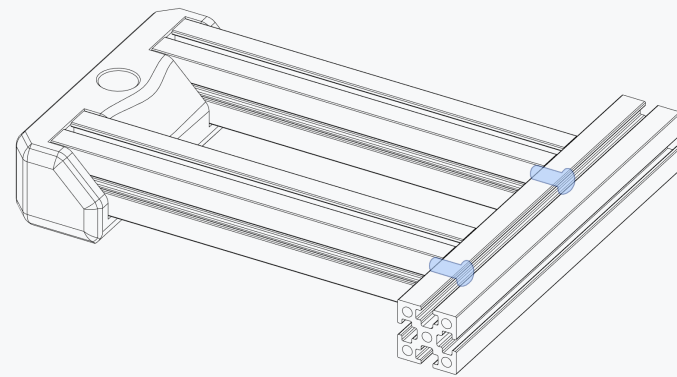
BED CARRIER

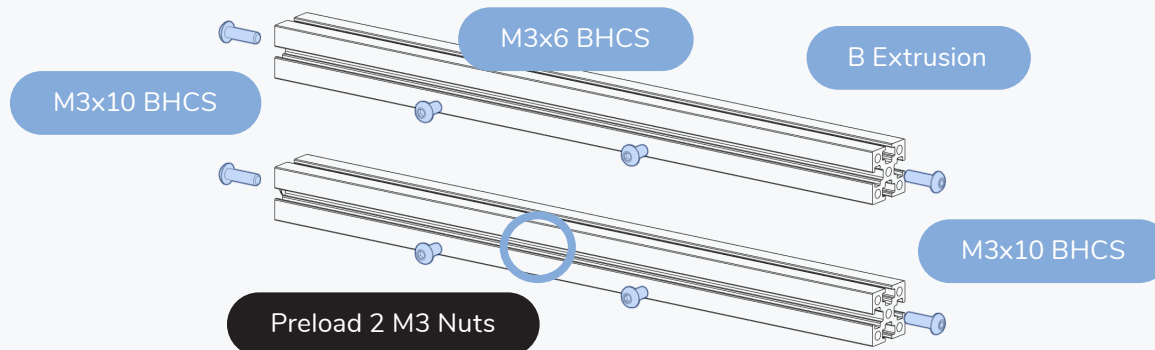
WWW.VORONDESIGN.COM



WRENCH ACCESS

Use a 2mm hex drive to tighten the screws behind the access holes.





PRELOADING M3 NUTS

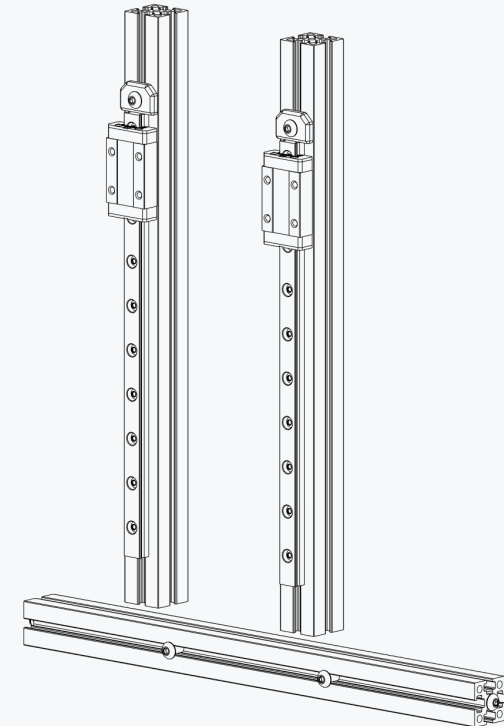
Insert 2 additional M3 nuts into the highlighted slot between the ones added to affix the M3x6. They will be used to attach the stepper mount in a later step.

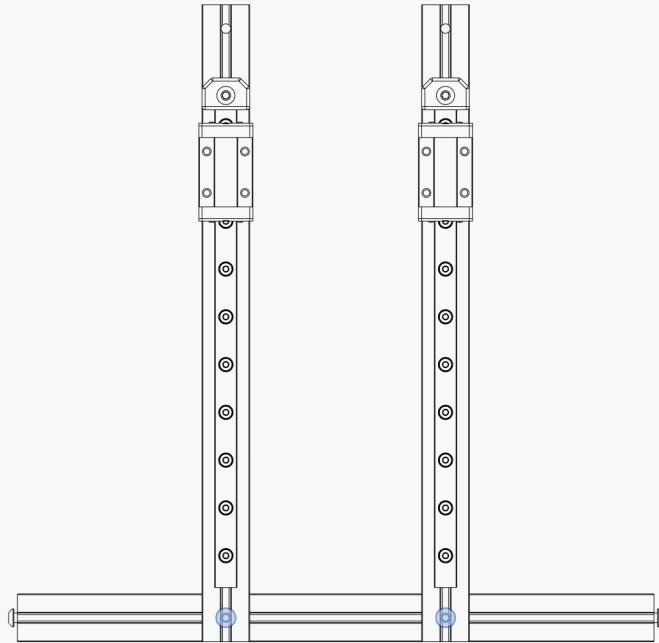
ORIENTATION AND ASSEMBLY

Read the next 4 pages before continuing.

To keep the assembly images consistent and as easy to follow as possible we are showing them in an upright orientation.

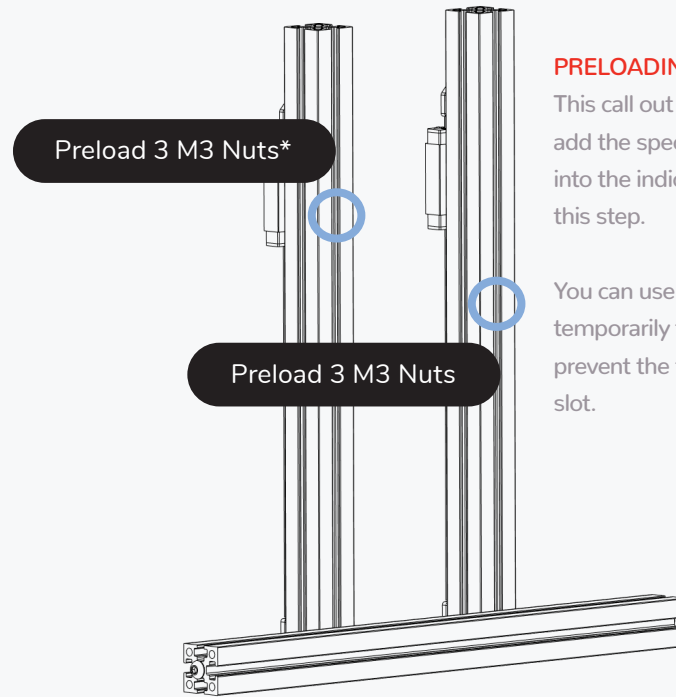
For ease of assembly we recommend to assemble the Z axis them lying flat.





WRENCH ACCESS

Use a 2mm hex drive to loosely tighten the screws behind the access holes. Don't worry about the exact position, it will be set in a later step.



PRELOADING M3 NUTS

This call out means you need to add the specified number of nuts into the indicated slot/position at this step.

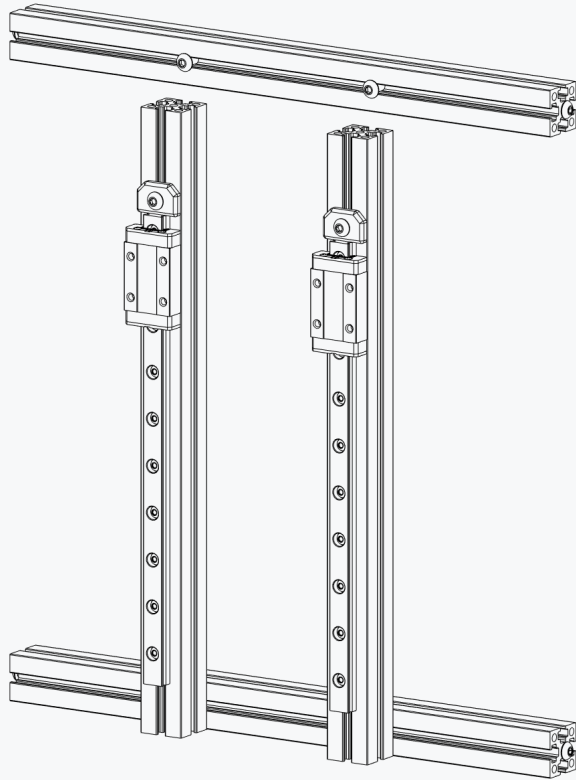
You can use a M3 fastener to temporarily fix them in place and prevent them from sliding out of the slot.

***DIRECT FEED VS. BOWDEN**

If you're planning on running a bowden setup preload an additional 2 for a total of 5 M3 nuts into the marked position. The extruder can be mounted to those later.

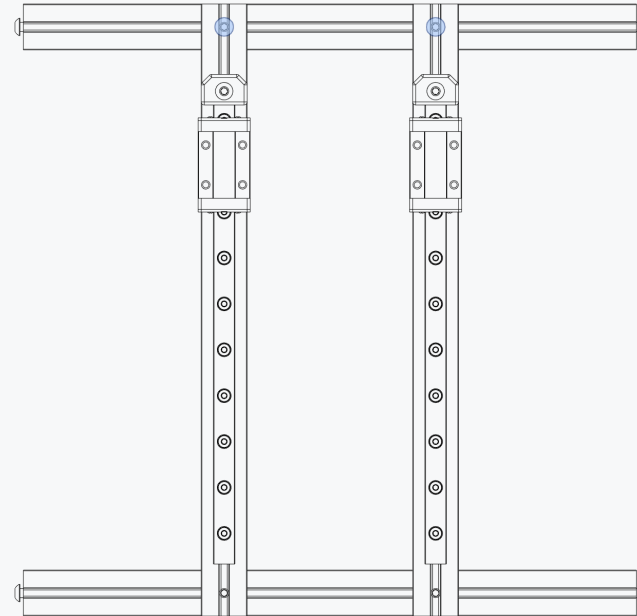
Z AXIS

WWW.VORONDESIGN.COM



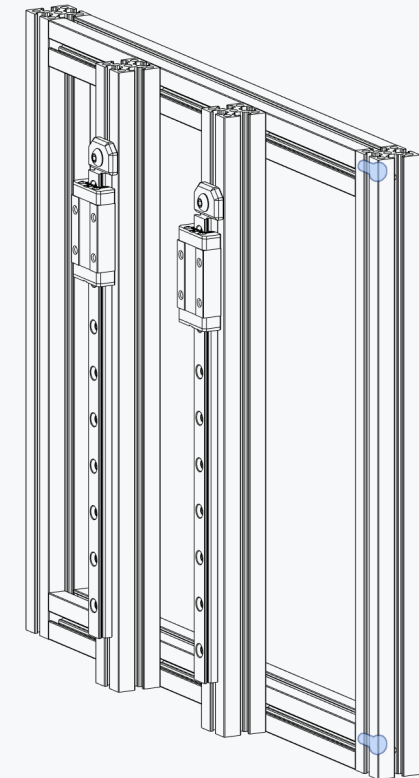
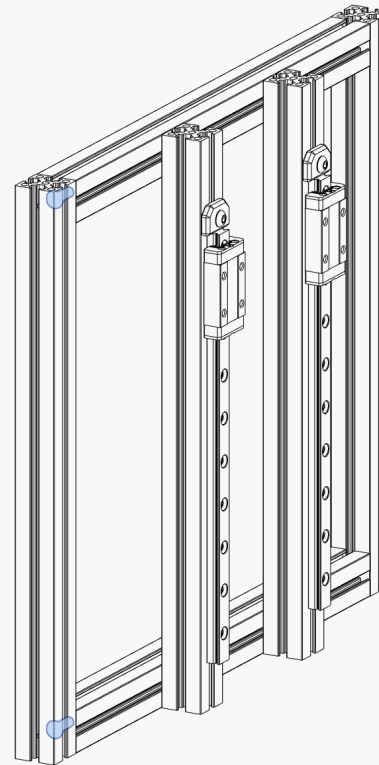
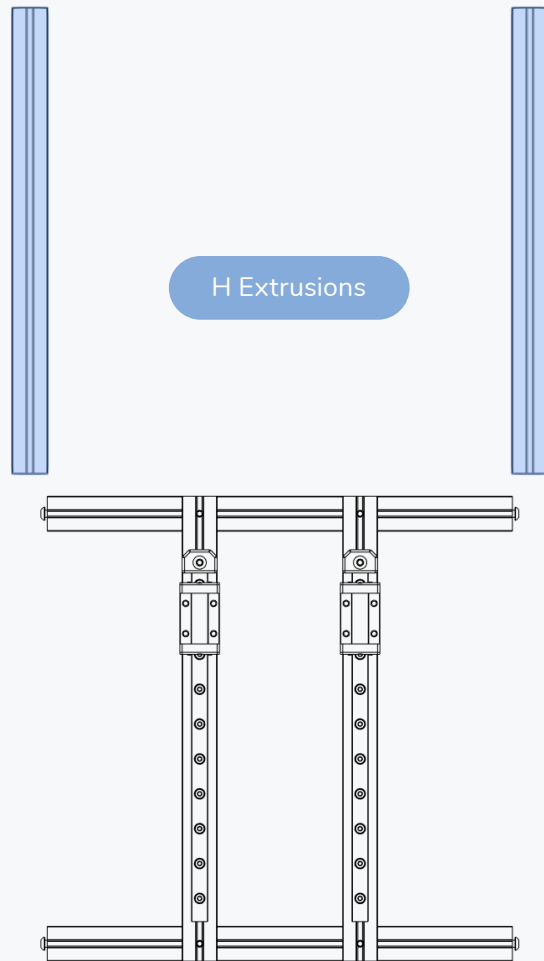
WRENCH ACCESS

Use a 2mm hex drive to loosely tighten the screws behind the access holes.



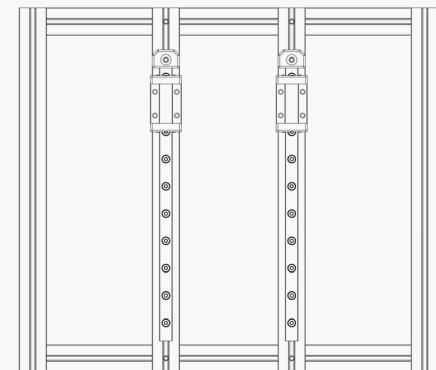
Z AXIS

WWW.VORONDESIGN.COM



BUILD ON A FLAT SURFACE

Assemble the square on a glass or granite surface to ensure you can get it as square as possible. Tighten the screws in the left extrusion first.



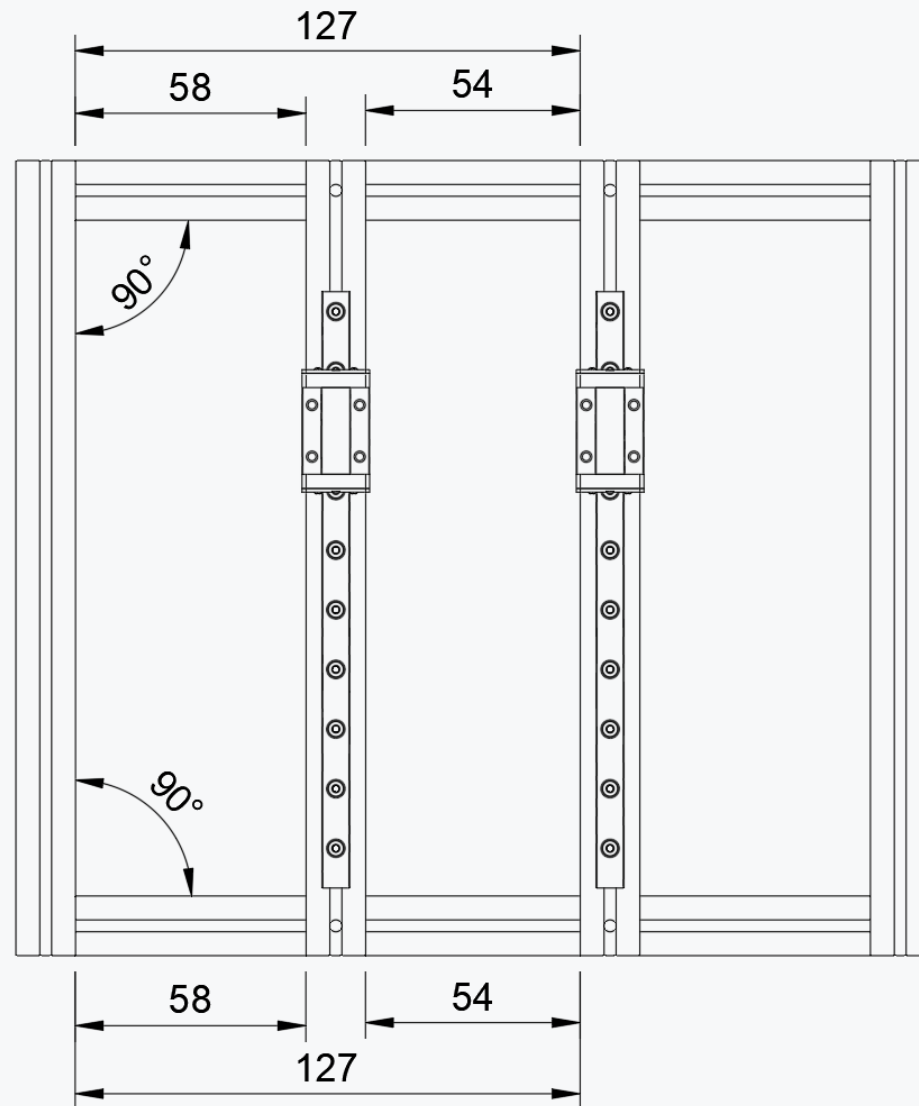
Z AXIS

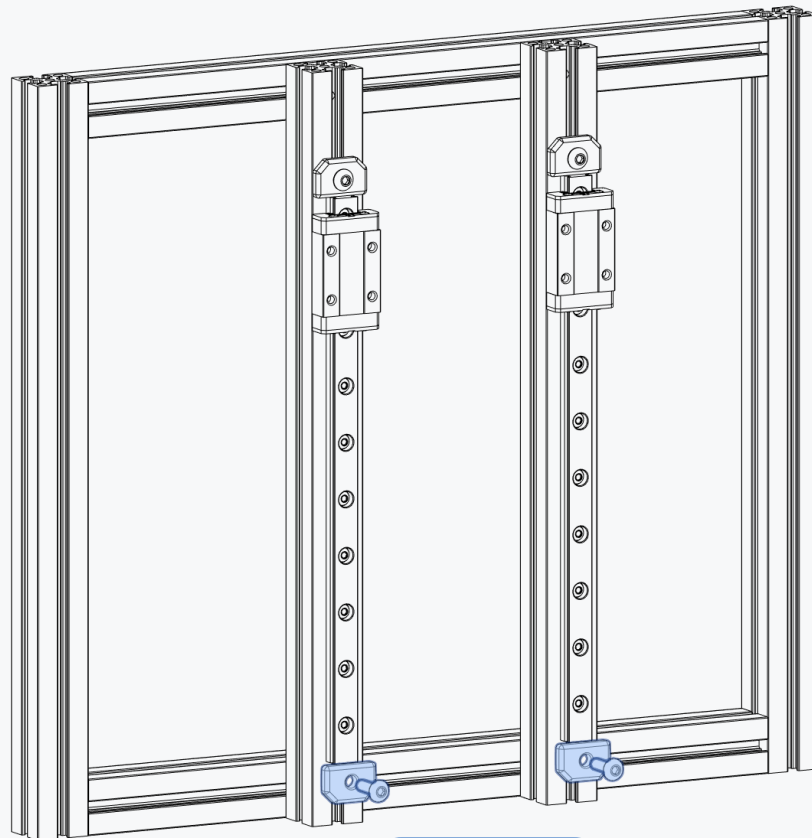
ADJUST POSITIONING

Adjust the position of the Z rails to match the dimensions shown on the right.

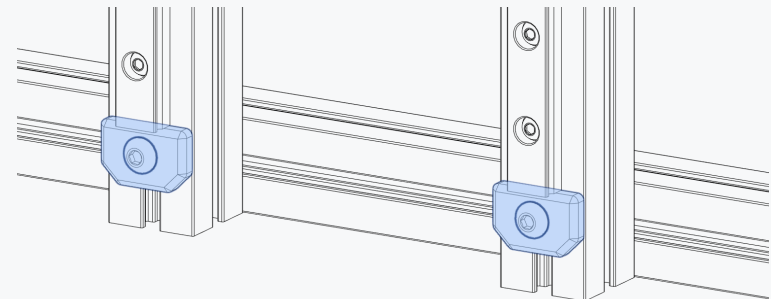
Ensure that the extrusions are parallel to each other as this will help tramming the Z axis.

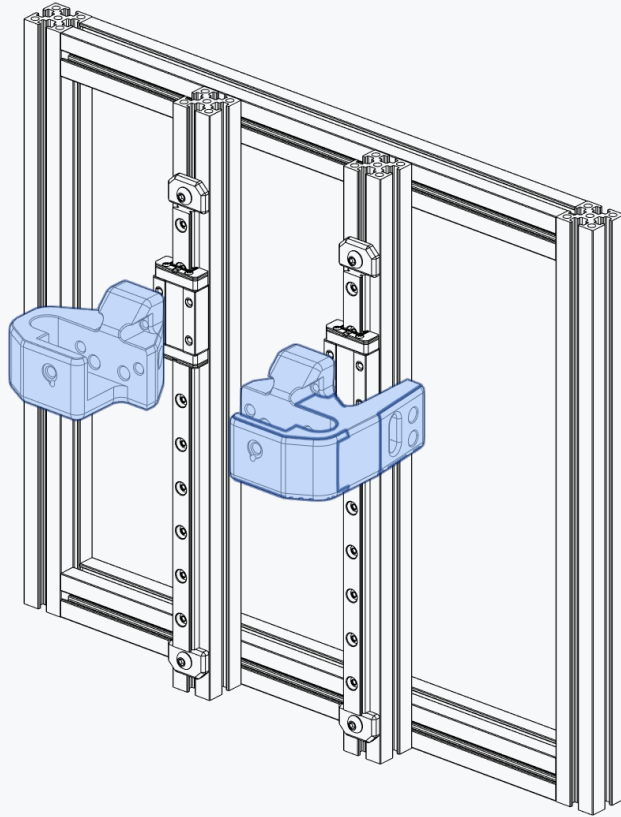
For best results only measure starting from the left extrusion as shown in the picture.





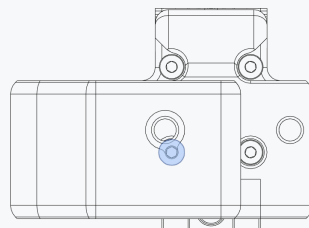
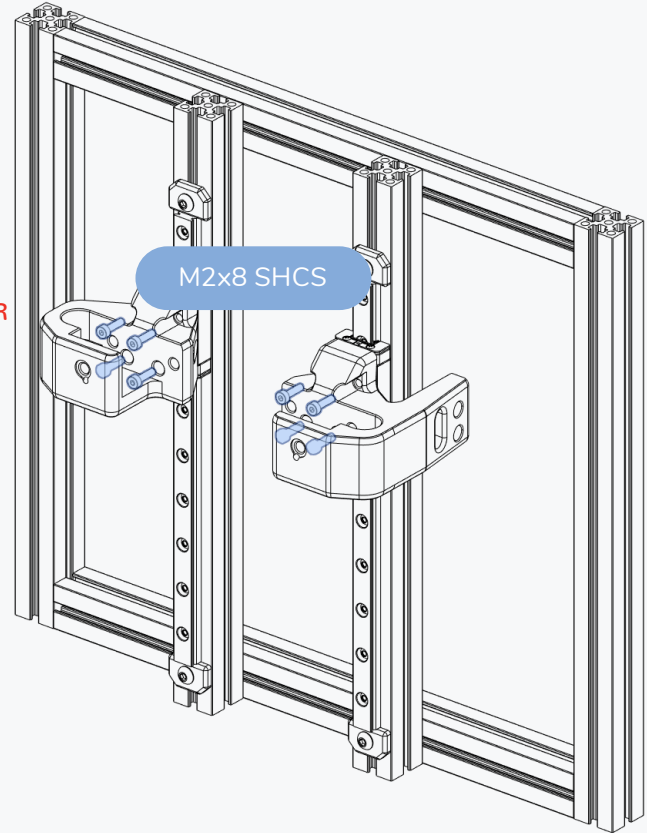
M3x8 BHCS





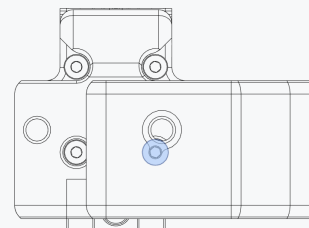
USE THREAD LOCKER

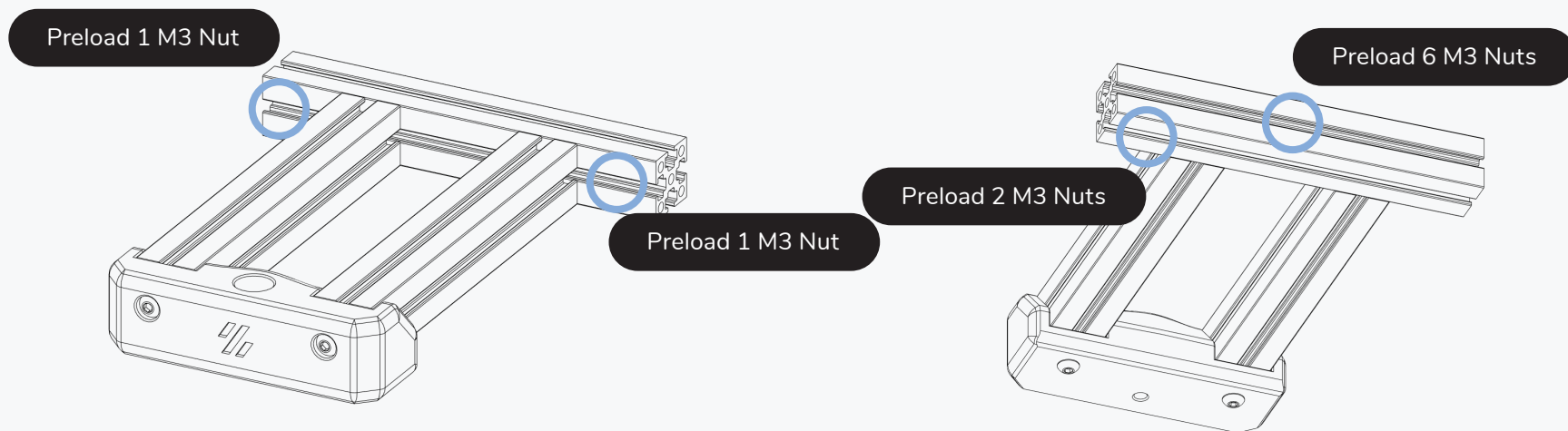
Carefully apply a small amount of thread locker to the screws. hidden screws.



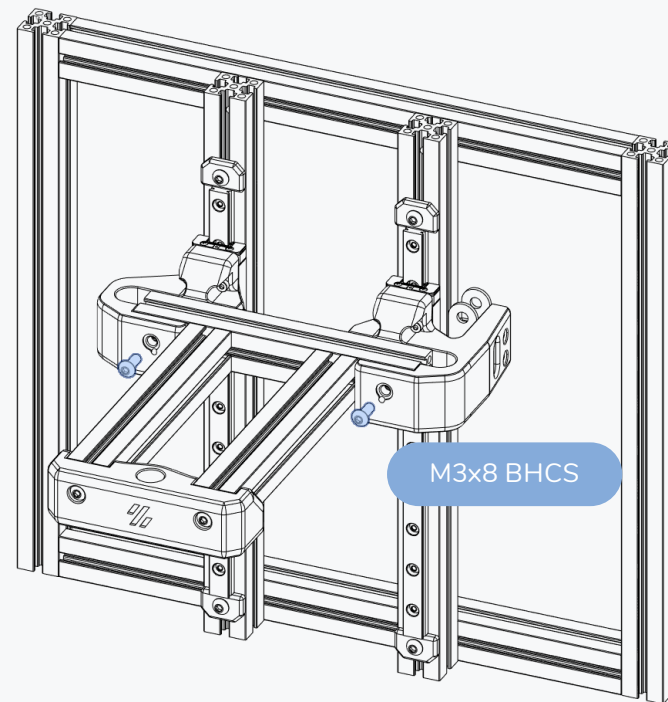
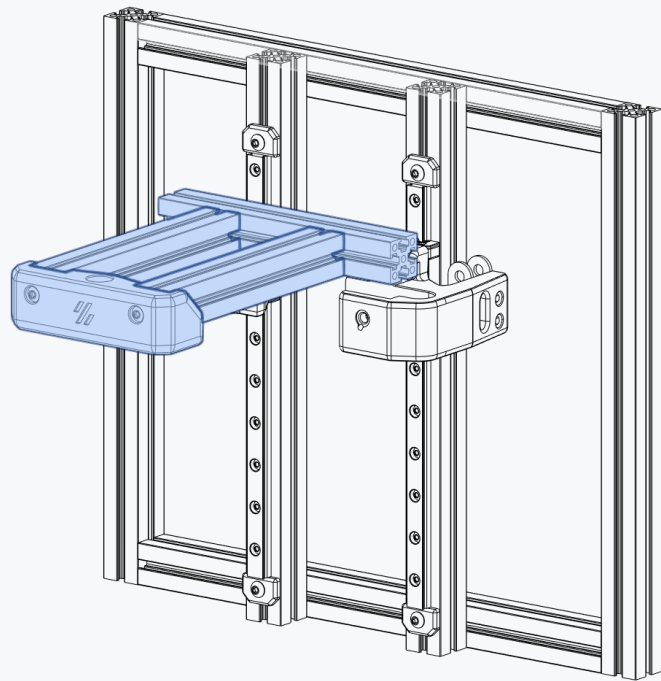
SCREW ACCESS

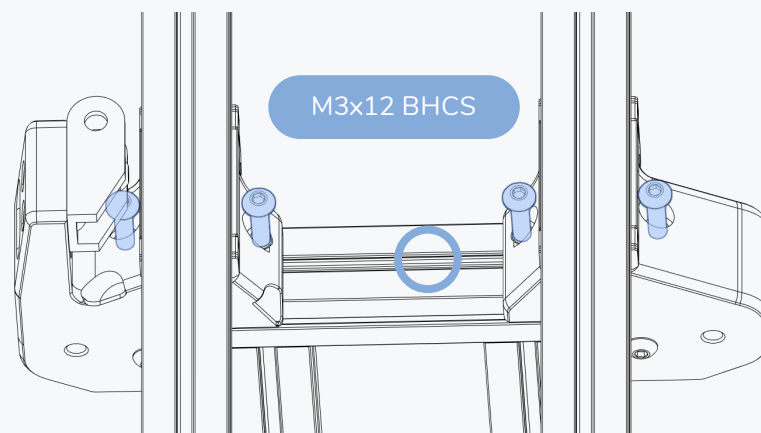
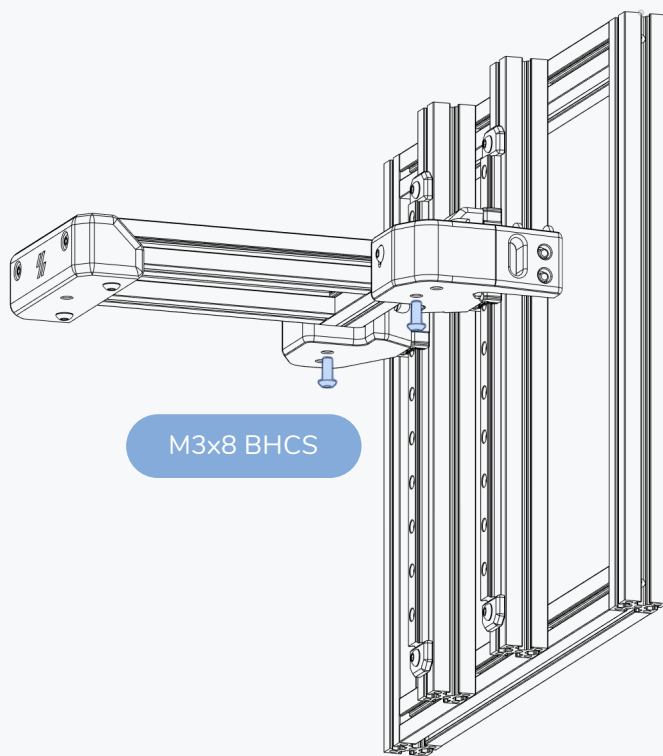
Use the small access hole and a long hex driver to fasten the hidden screws.





Z AXIS



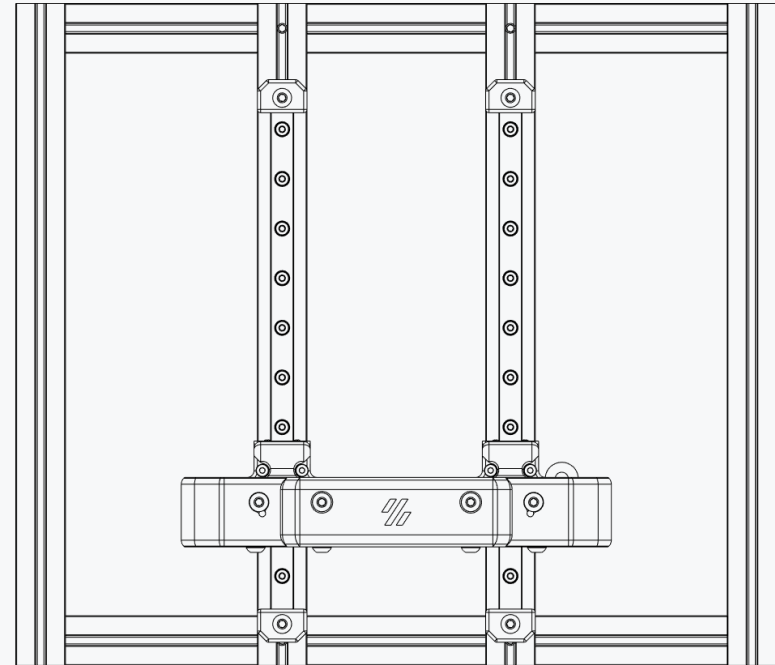
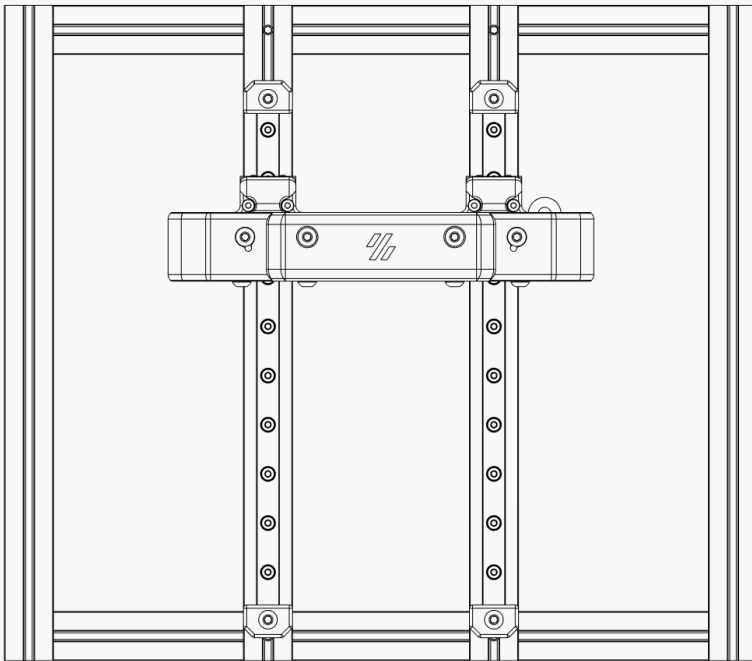


USE A BALL-END DRIVER

Use a 2mm ball-end driver to fasten the left screw.

PRELOADED NUTS

Make sure that 2 of the preloaded nuts are located in the center.



TRAMMING

Check for any binding or snags while moving the bed carrier up and down the rails.

The bed carrier must be able to move freely along the entire length of the rail.

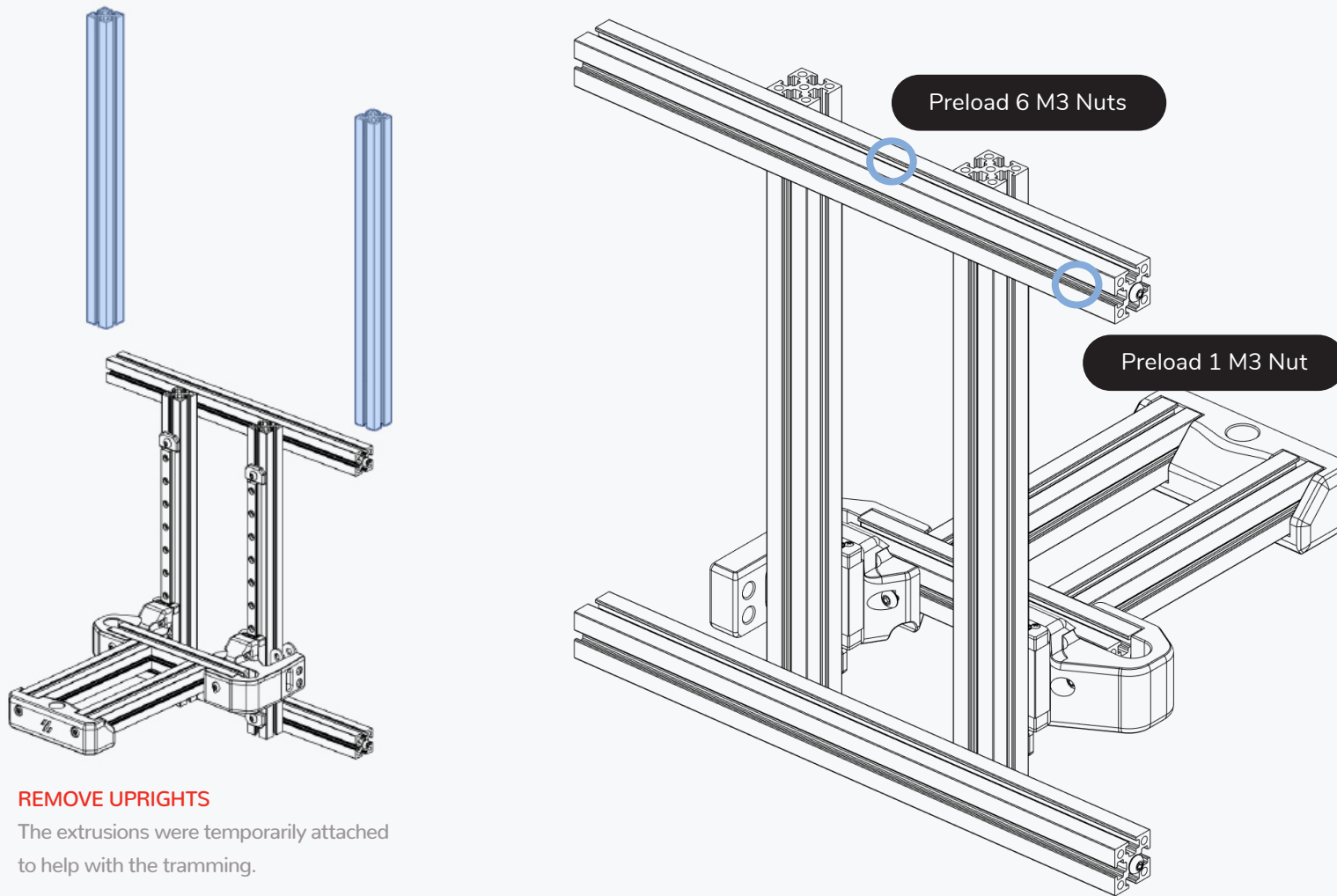
If it does not, loosen the blind joints of the extrusion that hold the right rail. You'll need to remove the rail stopper on the right extrusion to access the screw.

Move the bed carrier along the entire length and progressively tighten the blind joint.

Should it start to bind, loosen the blind joints again and retry. It may take a couple of attempts to get it right.

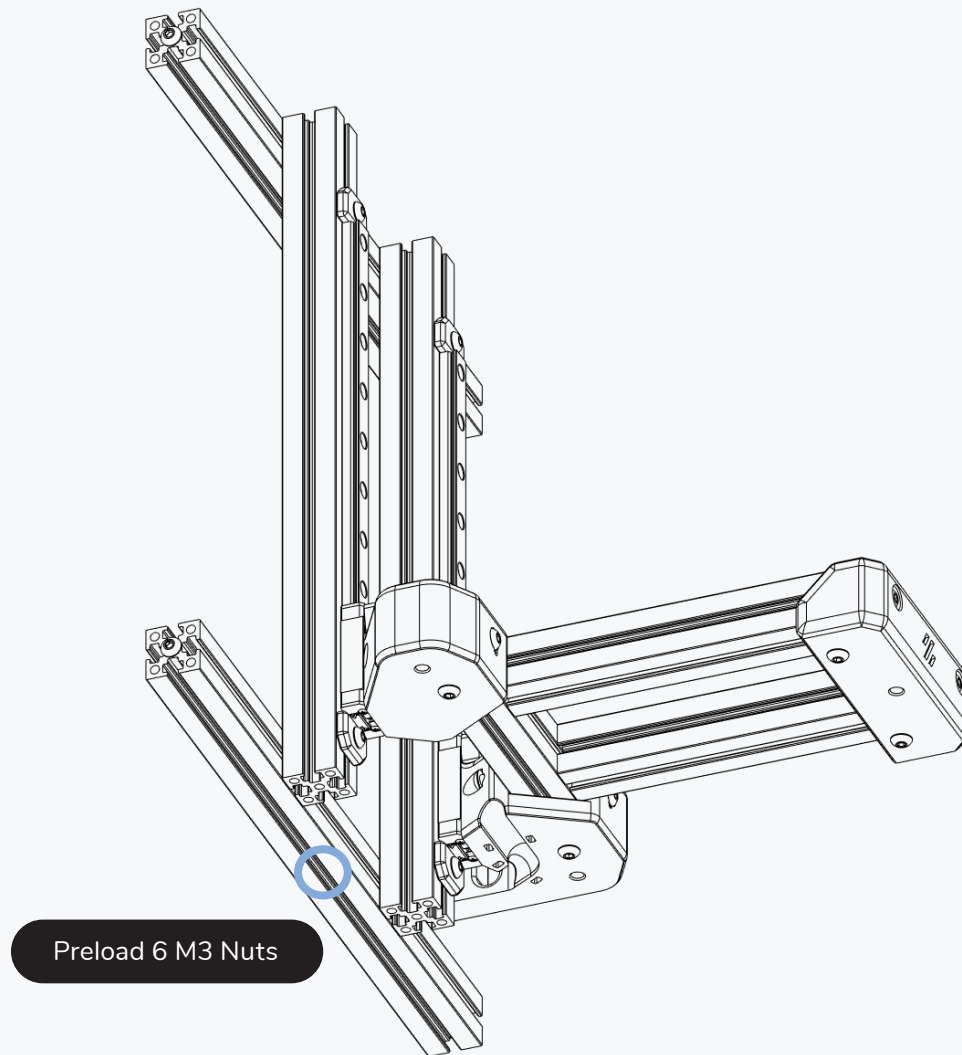
Z AXIS

WWW.VORONDESIGN.COM



REMOVE UPRIGHTS

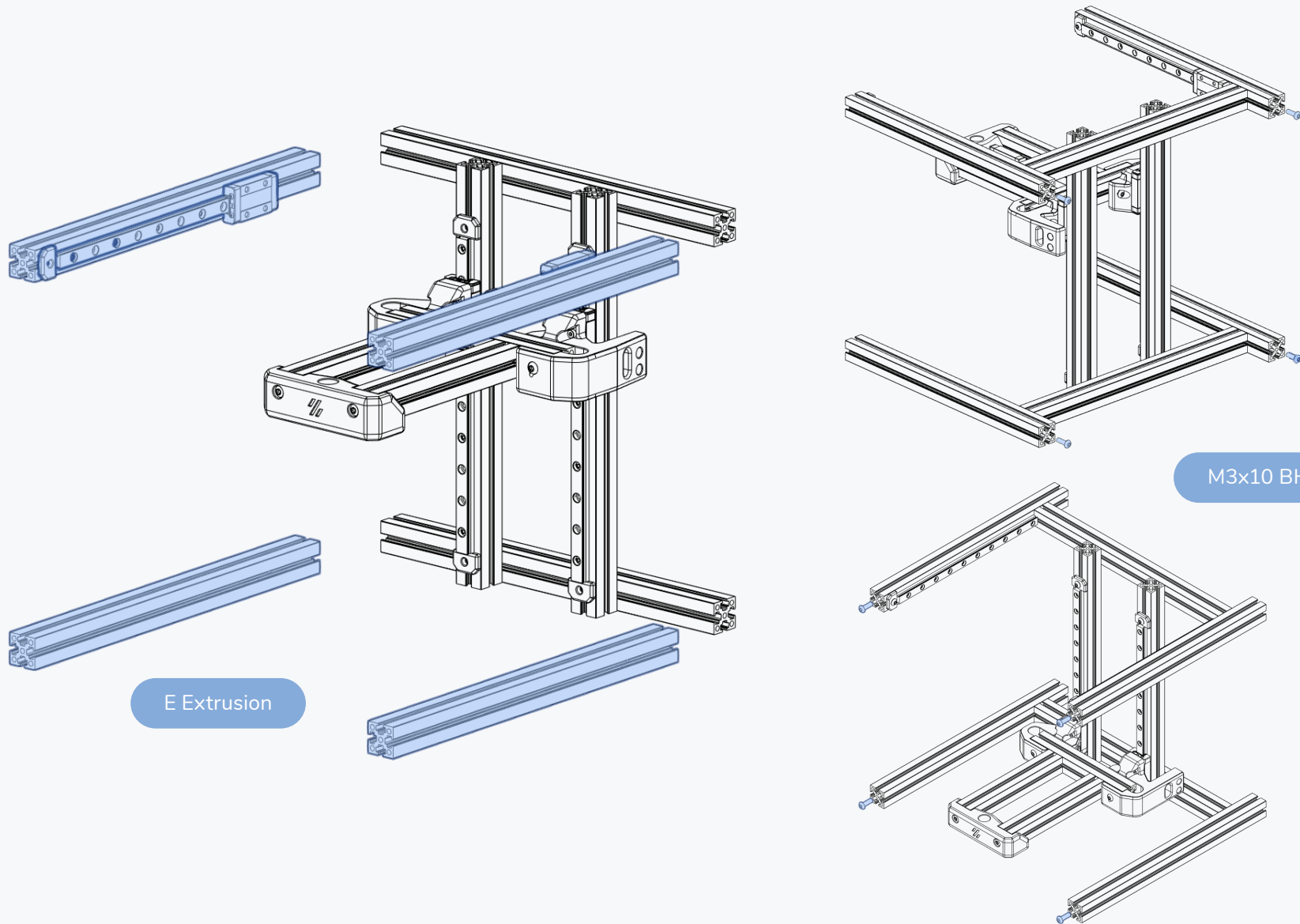
The extrusions were temporarily attached to help with the tramming.



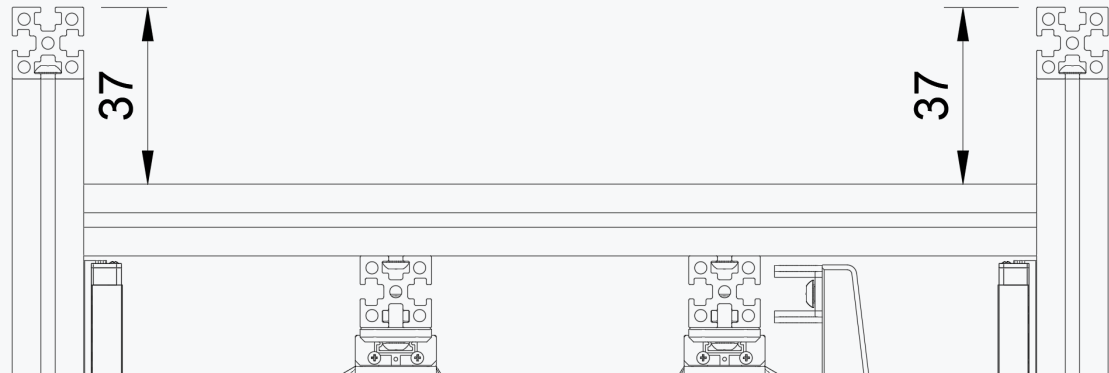
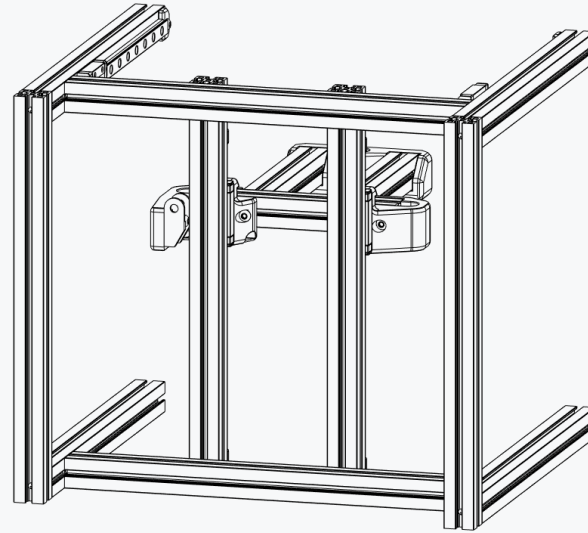
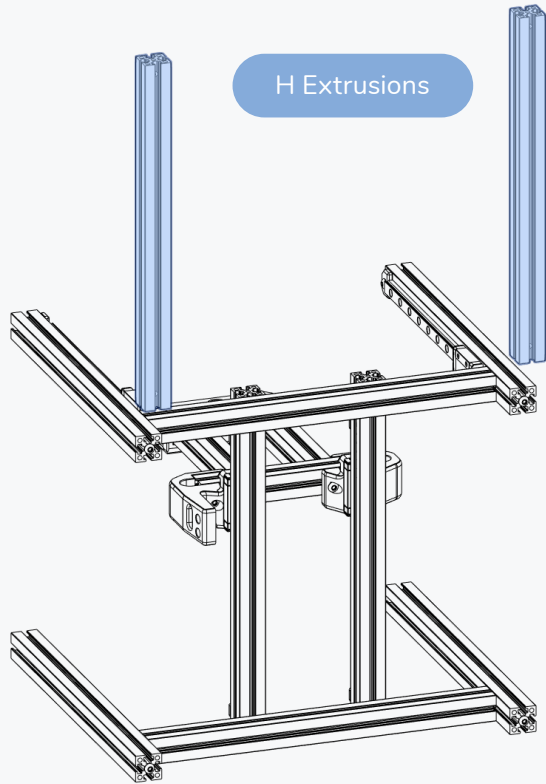
Preload 6 M3 Nuts

FRAME

WWW.VORONDESIGN.COM



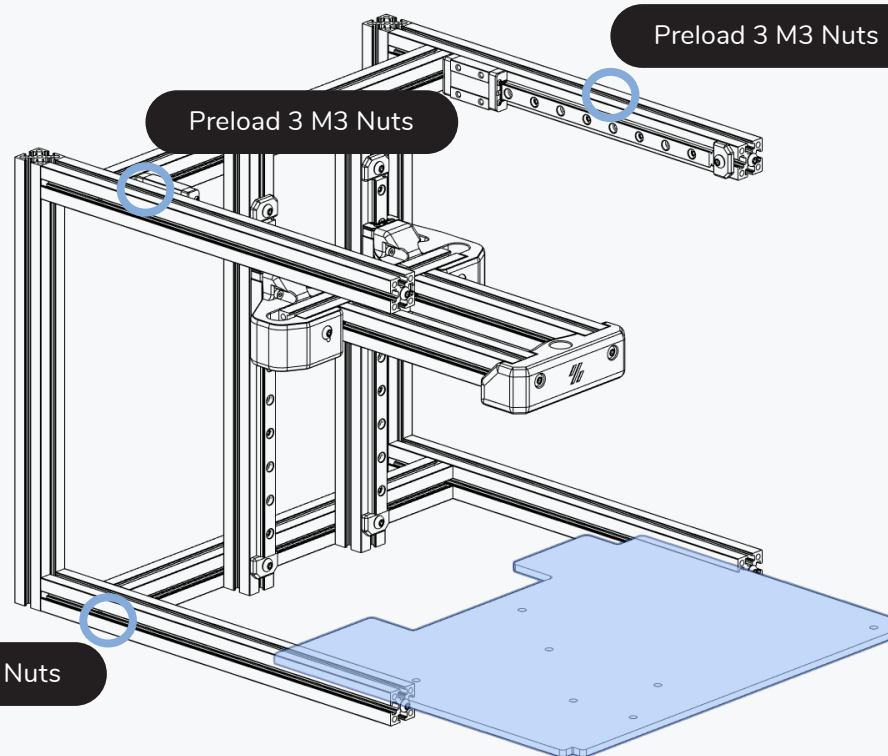
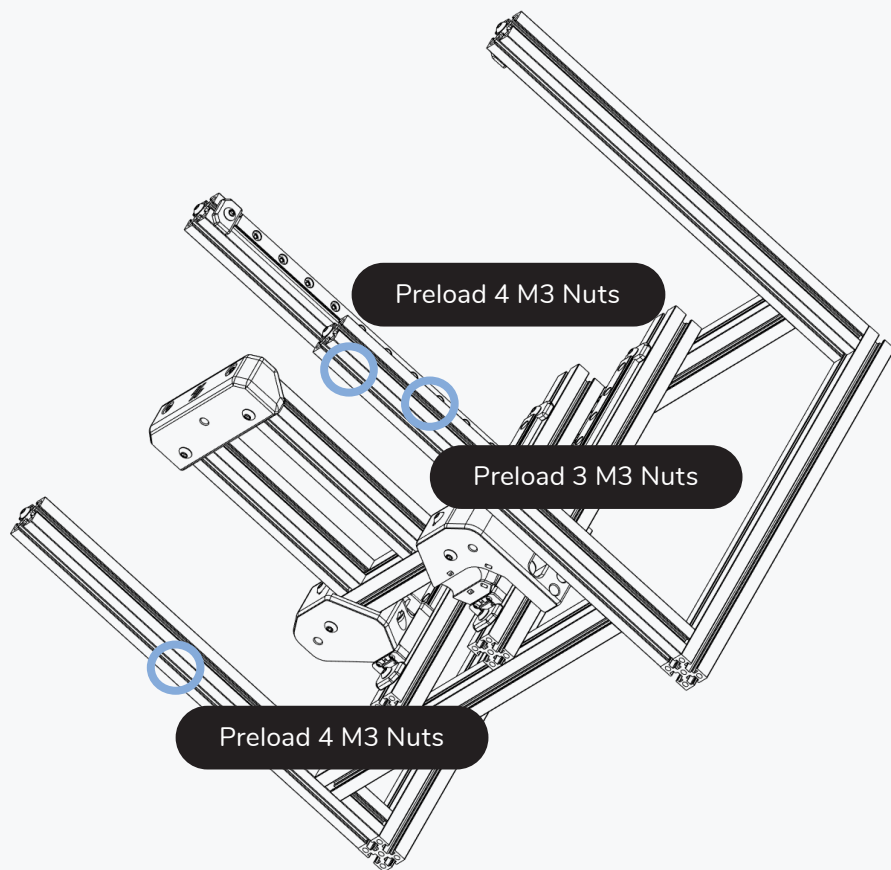
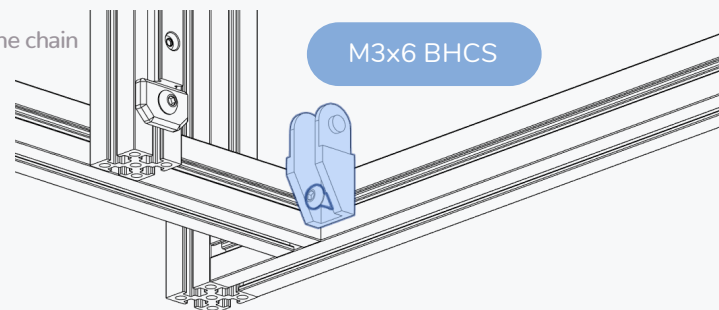
FRAME



FRAME

CHAIN VISIBILITY

We won't be showing the chain in later pictures.

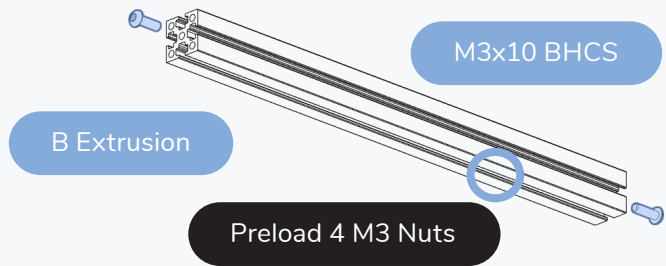


WHICH SLOT?

If in doubt reference the pictures on page 38 and 39.

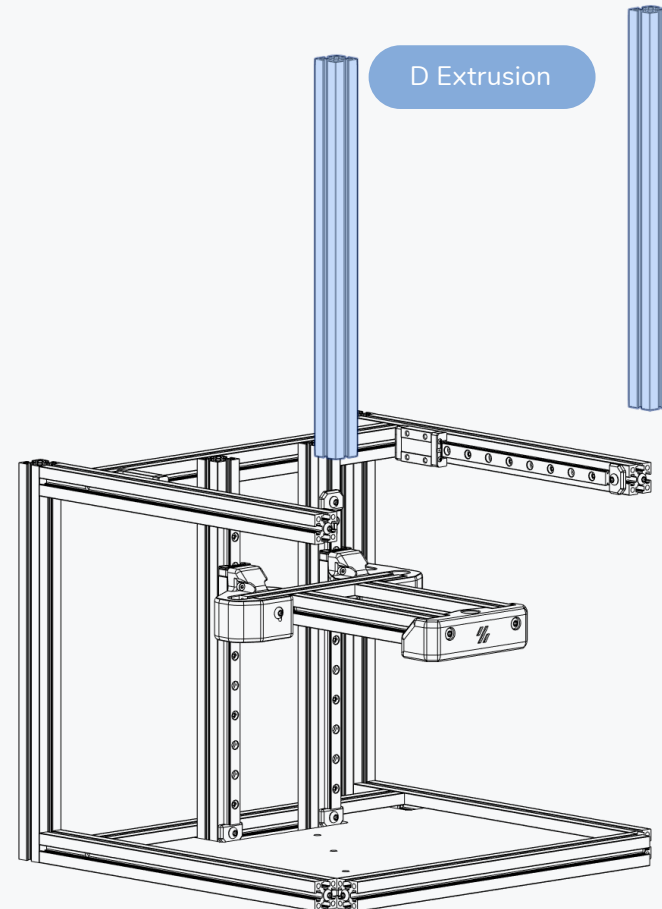
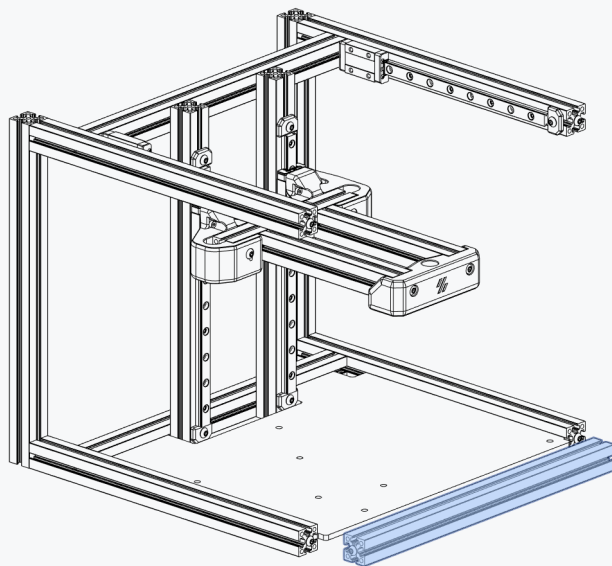
FRAME

WWW.VORONDESIGN.COM



PRELOADED NUTS

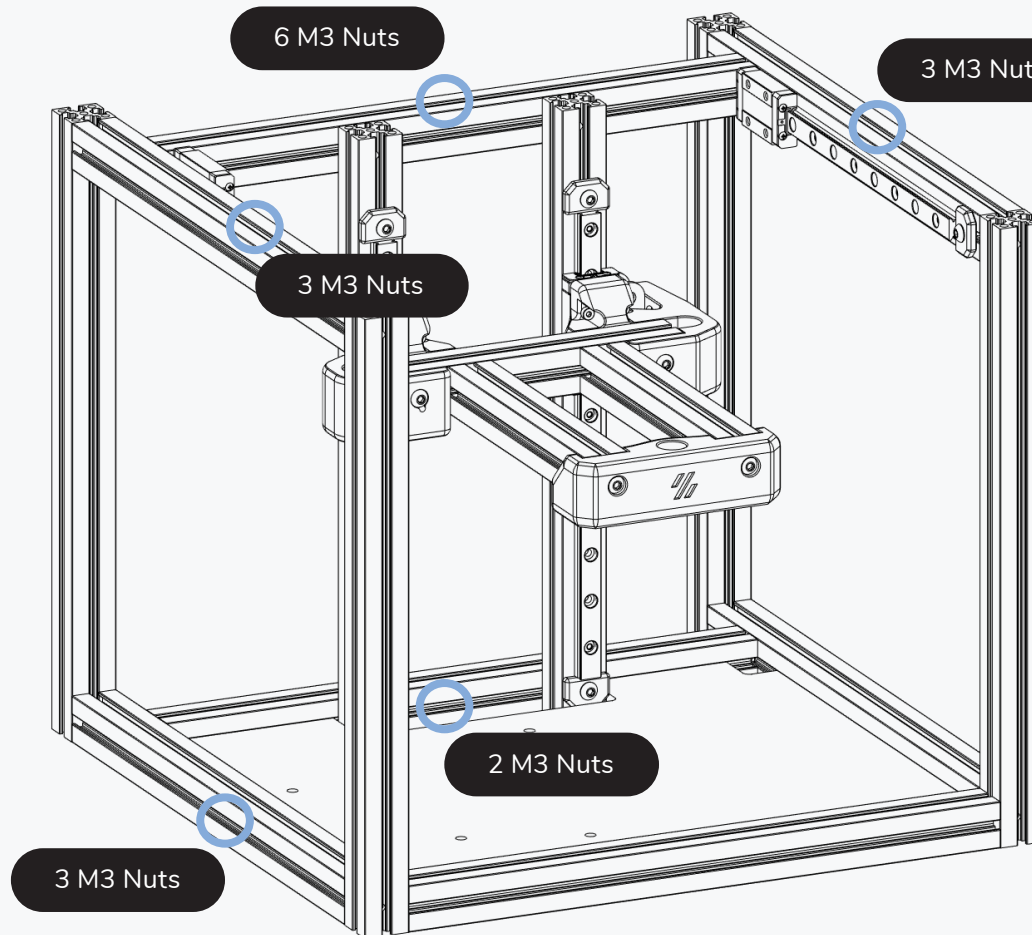
Preload the nuts into the bottom facing channel. The skirts will mount to them.

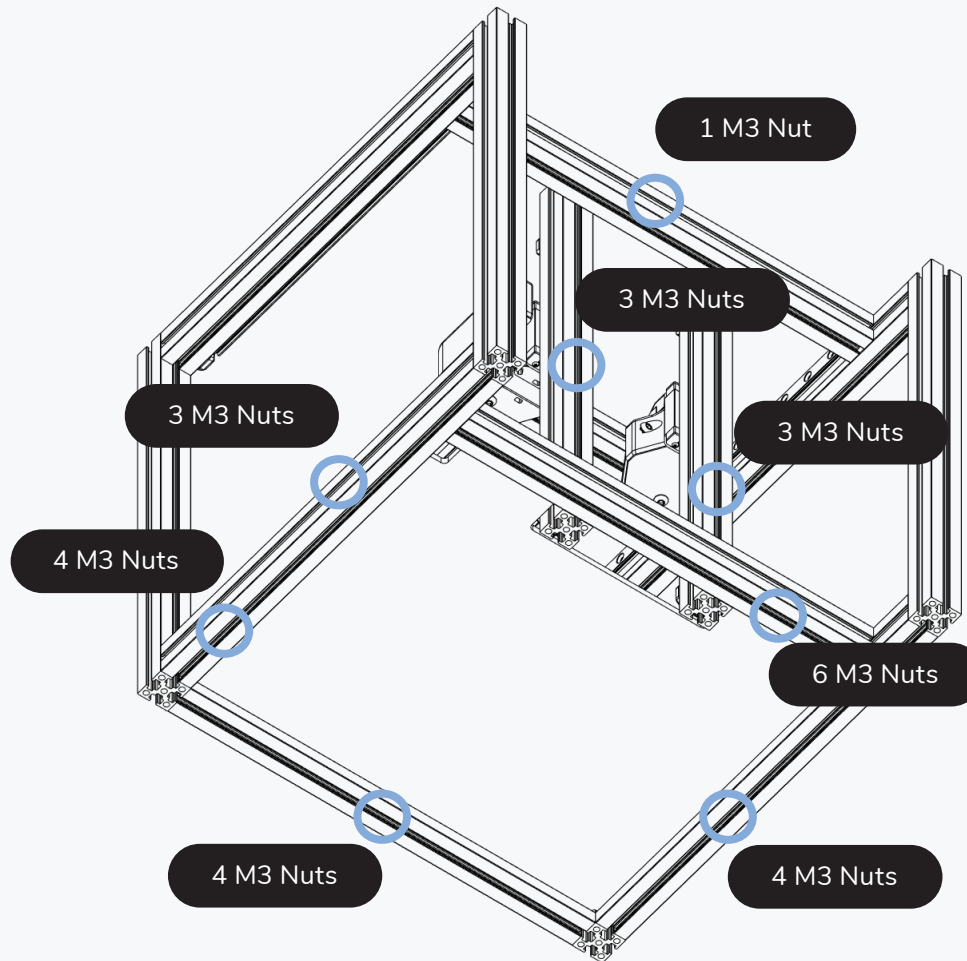


VERIFY PRELOADED NUT COUNT

Check that you preloaded the required amount of M3 hex nuts in the slots.

Adding missing nuts will become increasingly harder the further you progressed into the build.

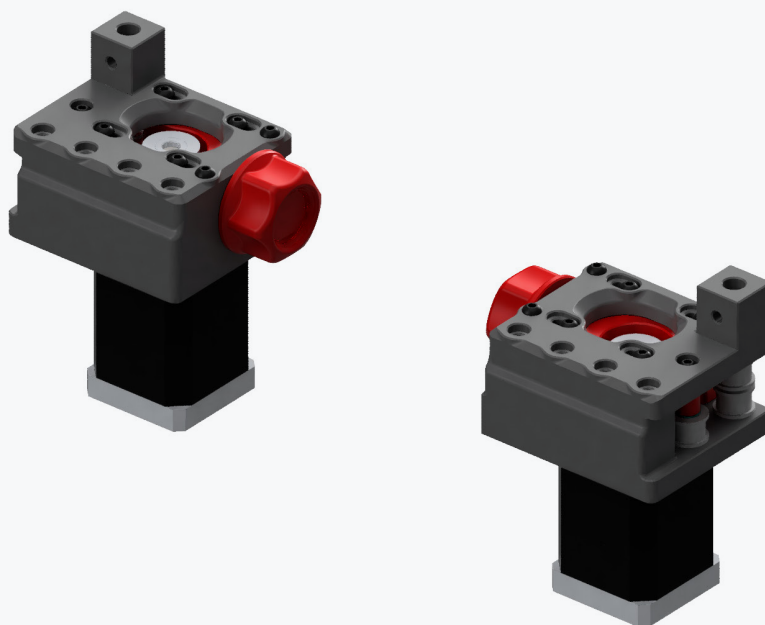


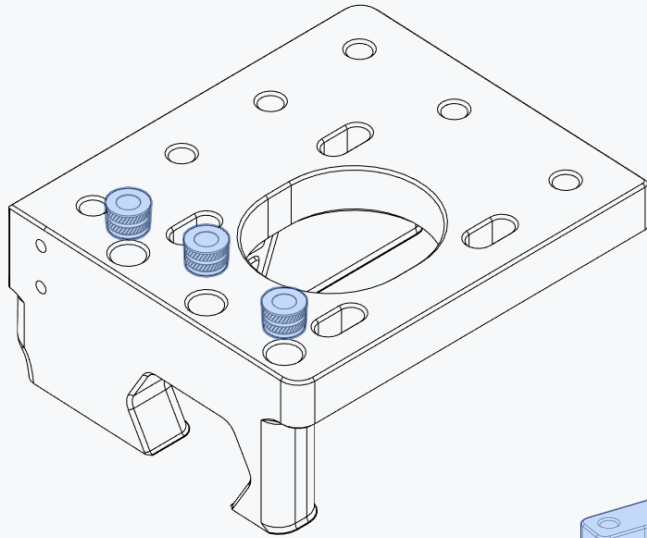


VERIFY PRELOADED NUT COUNT

Check that you preloaded the required amount of M3 hex nuts in the slots.

Adding missing nuts will become increasingly harder the further you progressed into the build.

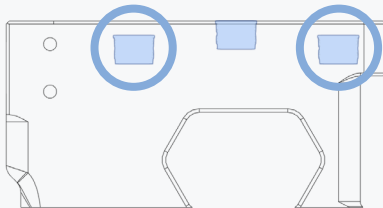
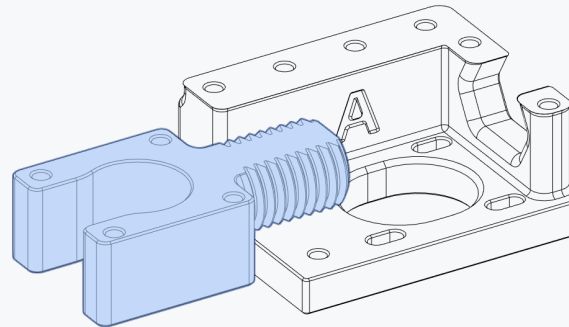
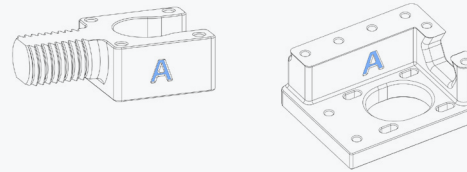




Heat Set Insert

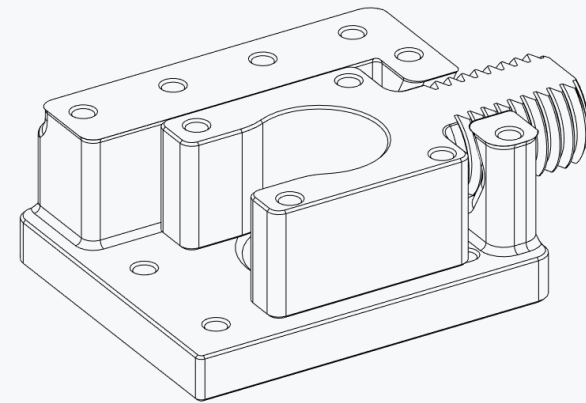
IDENTIFYING THE RIGHT PART

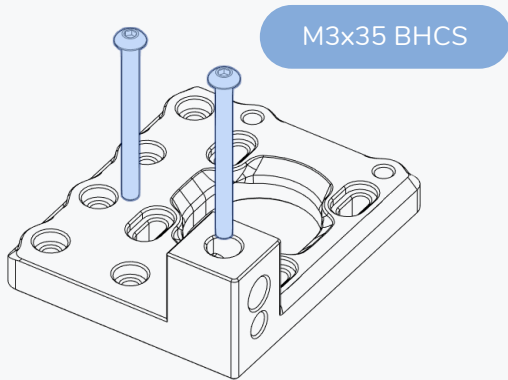
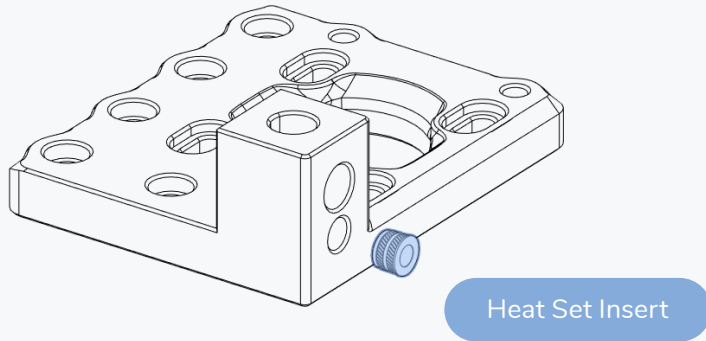
The parts have their sides embossed.



INSERTS SIT BELOW THE SURFACE

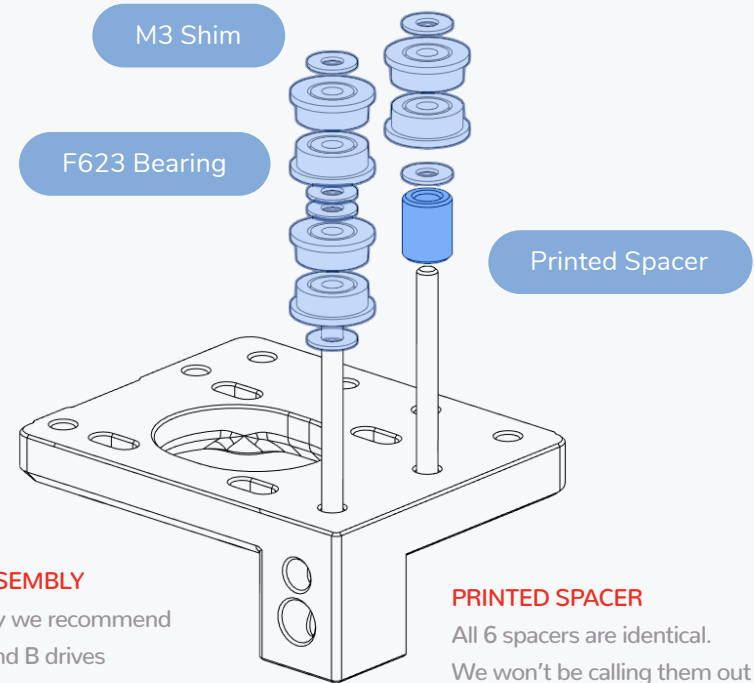
The outer heat set inserts sit below the surface of the part. When installing make sure the heat set inserts bottom out in their hole.





A NOTE ON SHIMS

We specify shims as they have a consistent thickness compared to regular washers. If you sourced washers instead make sure to measure their thickness (target = 0.5mm) to avoid issues with the stackup.

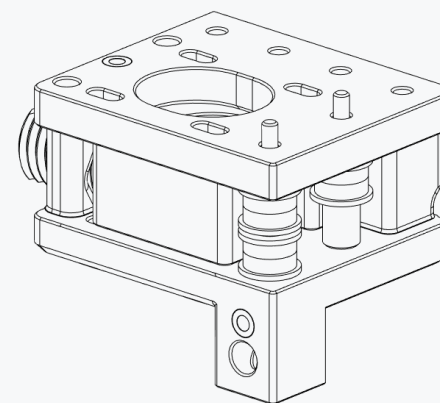
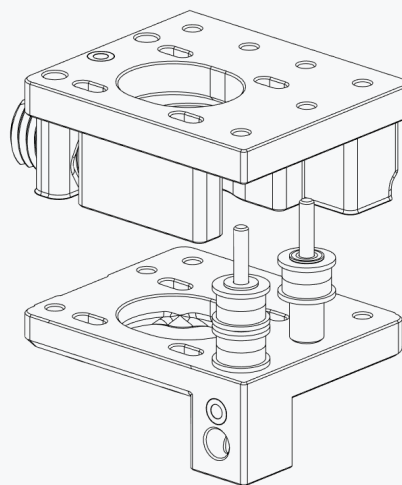
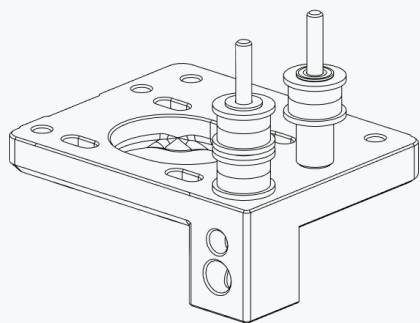


UPSIDE DOWN ASSEMBLY

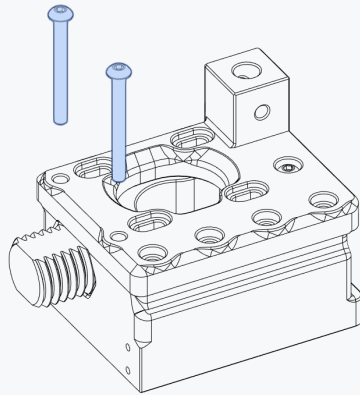
For ease of assembly we recommend to assemble the A and B drives upside down.

PRINTED SPACER

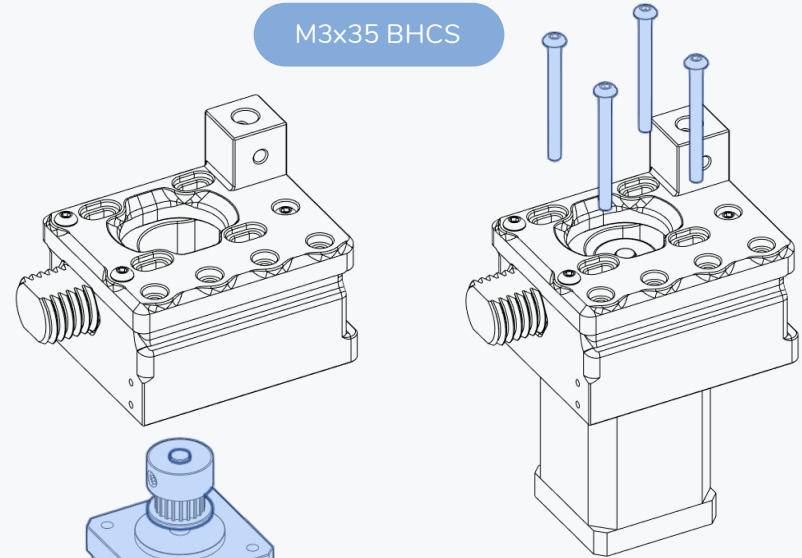
All 6 spacers are identical. We won't be calling them out going forward.



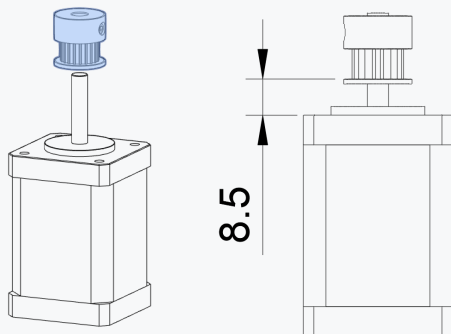
M3x30 BHCS



M3x35 BHCS



GT2 20T Pulley



NEMA14 Stepper

GRUB SCREWS

AKA THE ROOT OF ALL ISSUES

Use thread locker on all grub screws.

Loose grub screws account for a large percentage of issues that our users report. Save yourself hours of troubleshooting and apply thread locker to all grub screws during the build.

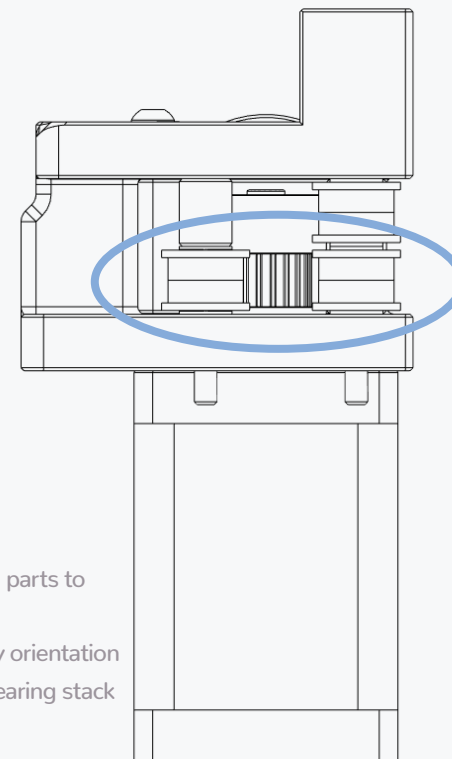
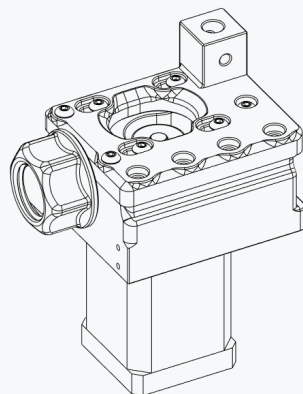
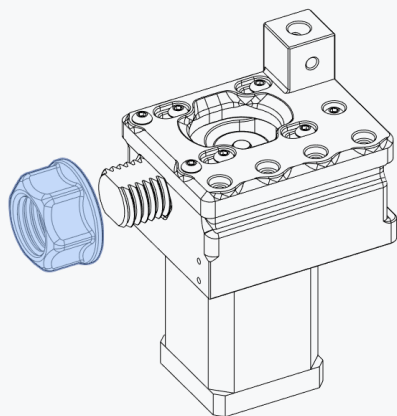
See the products application notes for instructions.

DON'T TIGHTEN

Leave the screws slightly loose. Tightening them fully will lock the tension adjustment.

A DRIVE

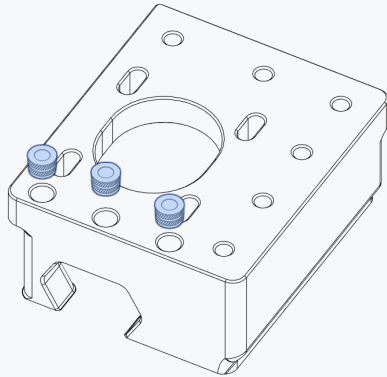
WWW.VORONDESIGN.COM



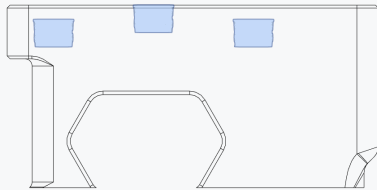
CHECK YOUR WORK

Compare your assembled parts to the graphic shown here.

Pay attention to the pulley orientation and alignment with the bearing stack ups.

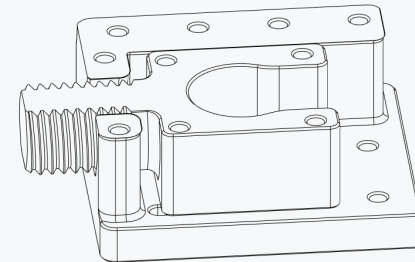
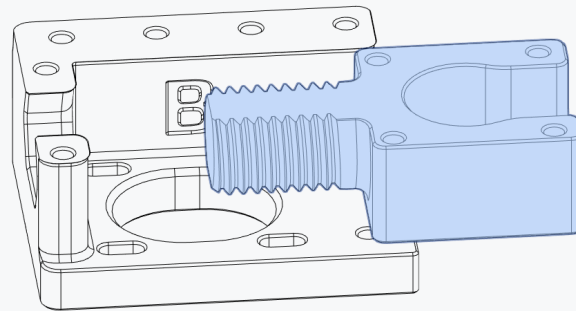


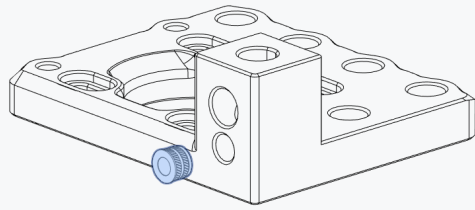
Heat Set Insert



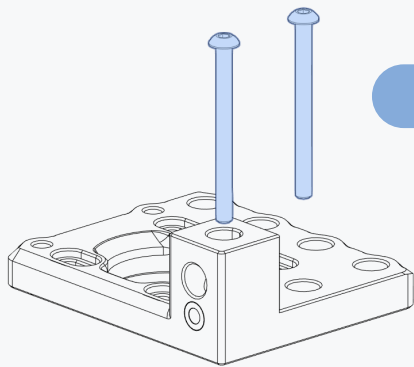
INSERTS SIT BELOW THE SURFACE

The outer heat set inserts sit below the surface of the part. When installing make sure the heat set inserts bottom out in their hole.

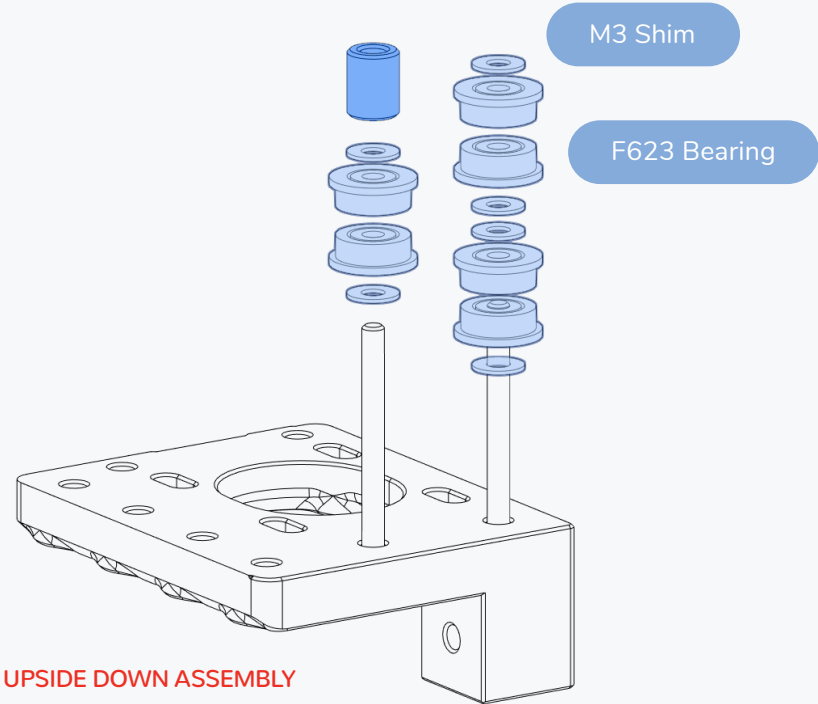




Heat Set Insert



M3x35 BHCS

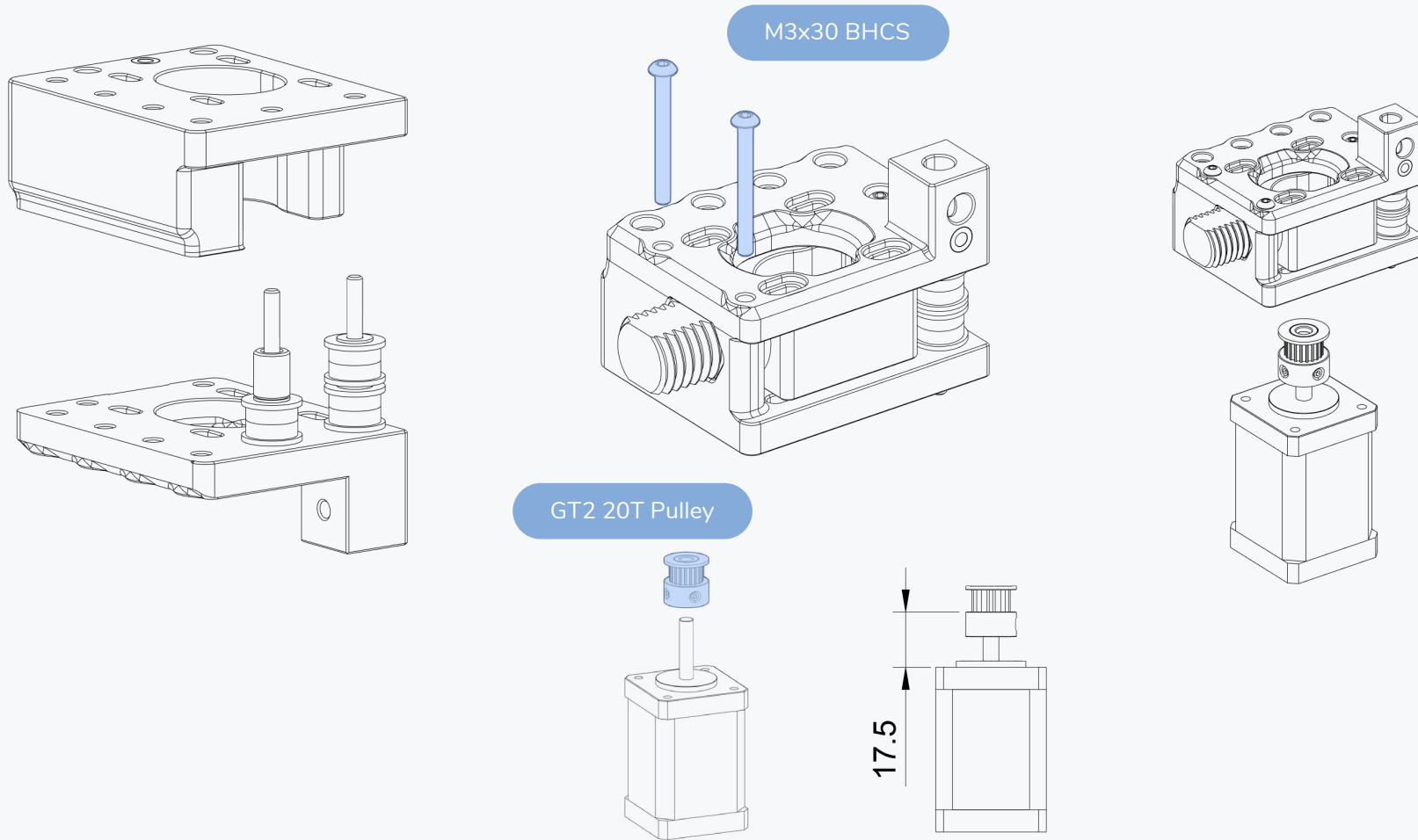


M3 Shim

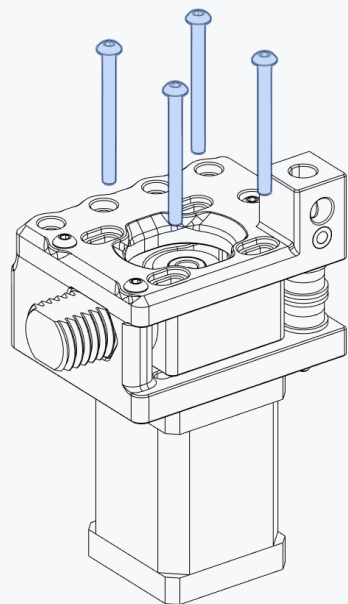
F623 Bearing

UPSIDE DOWN ASSEMBLY

For ease of assembly we recommend to assemble the A and B drives upside down.



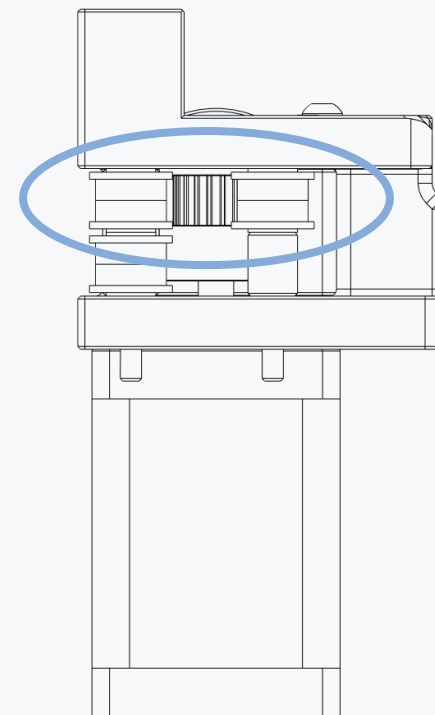
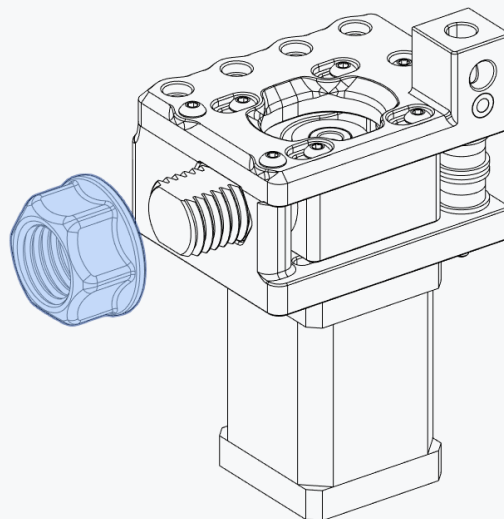
B DRIVE



M3x35 BHCS

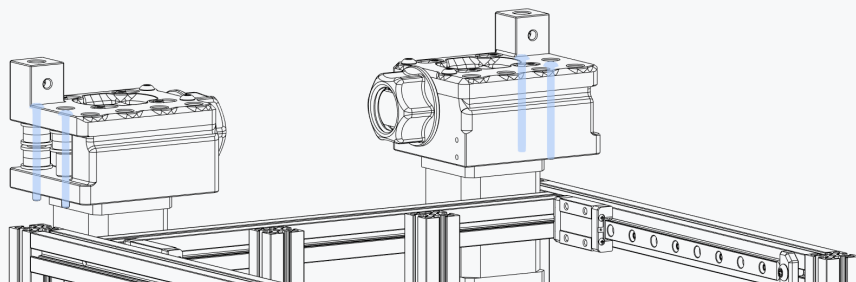
DON'T TIGHTEN

Leave the screws slightly loose.
Tightening them fully will lock the
tension adjustment.



CHECK YOUR WORK

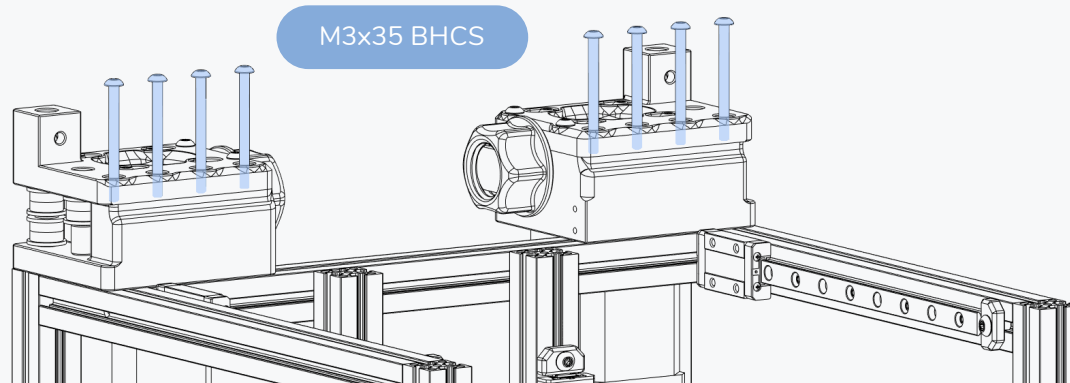
Compare your assembled parts to
the graphic shown here.
Pay attention to the pulley orientation
and alignment with the bearing stack
ups.



PRELOADED NUTS

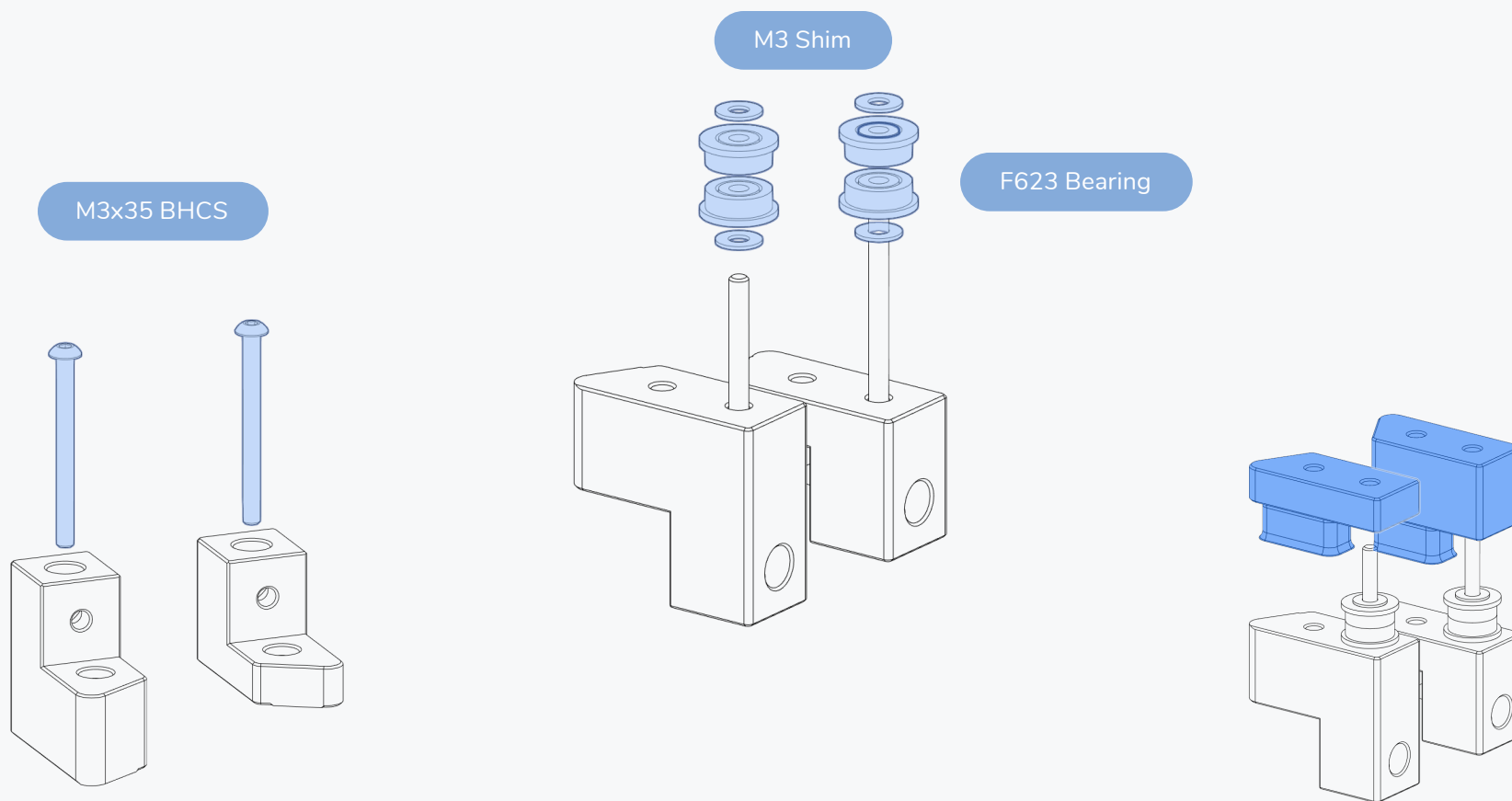
The screws are fastened into the preloaded nuts.

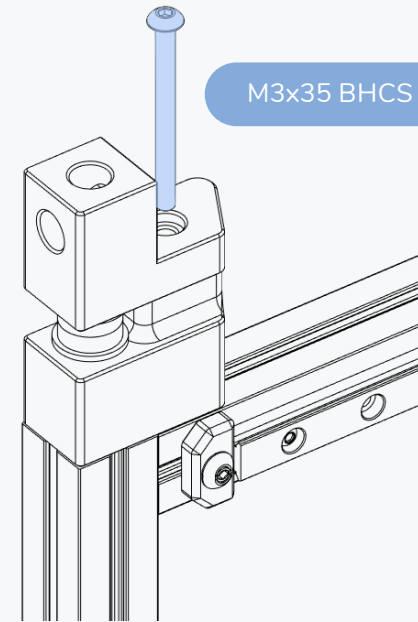
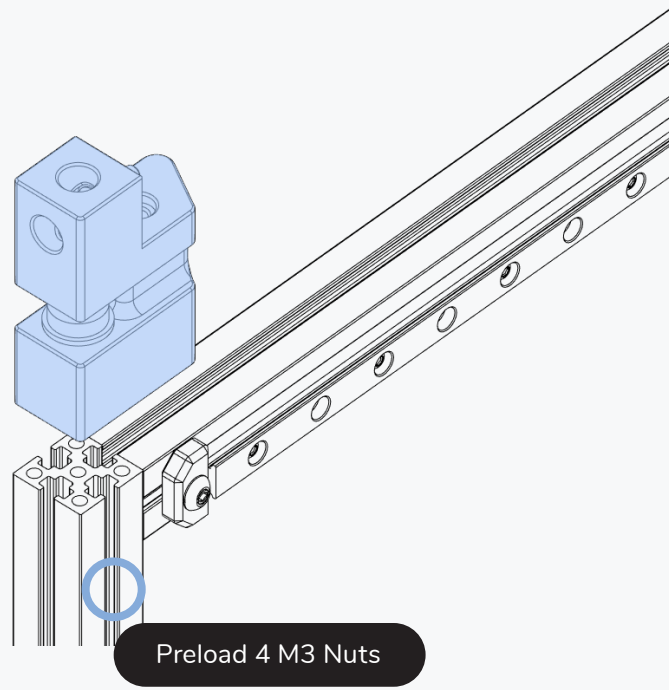
Slide the nuts into position prior to placing the part. Use a skewer to align them with the screw hole.



This page intentionally left blank.



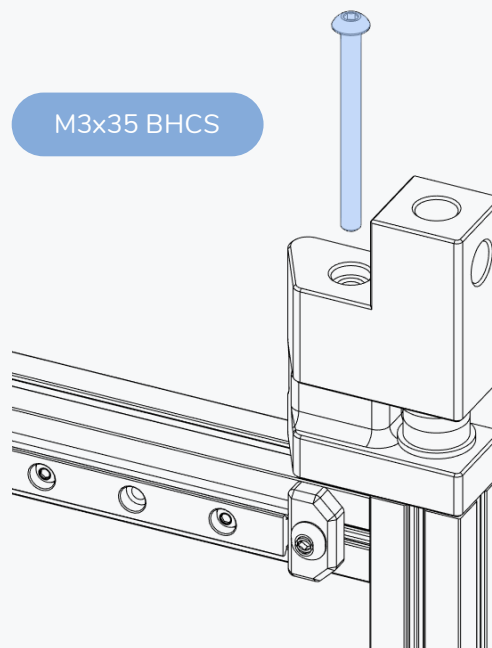
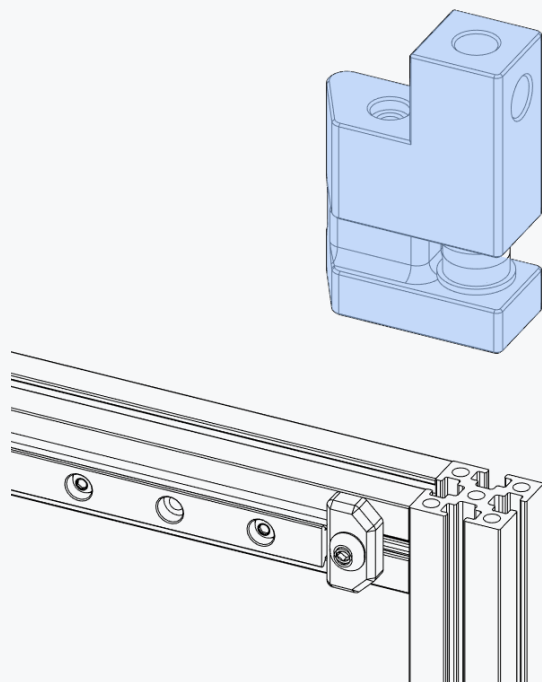




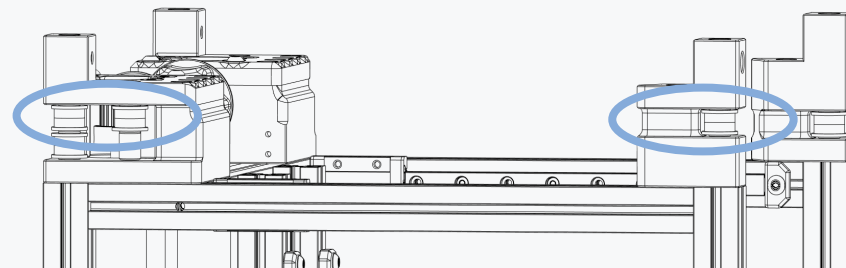
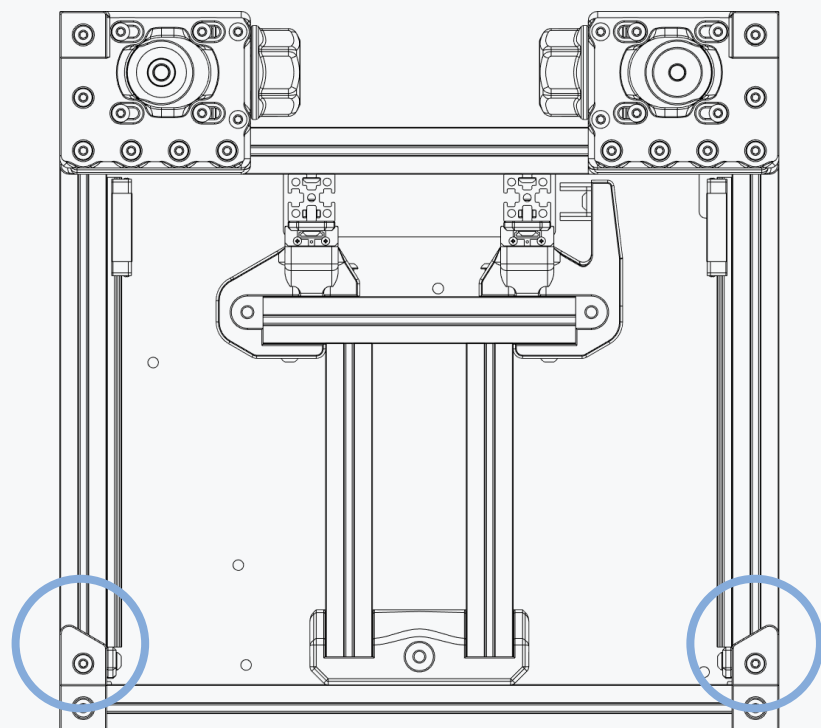
PRELOADED NUTS

The screws are fastened into the preloaded nuts.

Slide the nuts into position prior to placing the part. Use a skewer to align them with the screwhole.



M3x35 BHCS



CHECK YOUR WORK

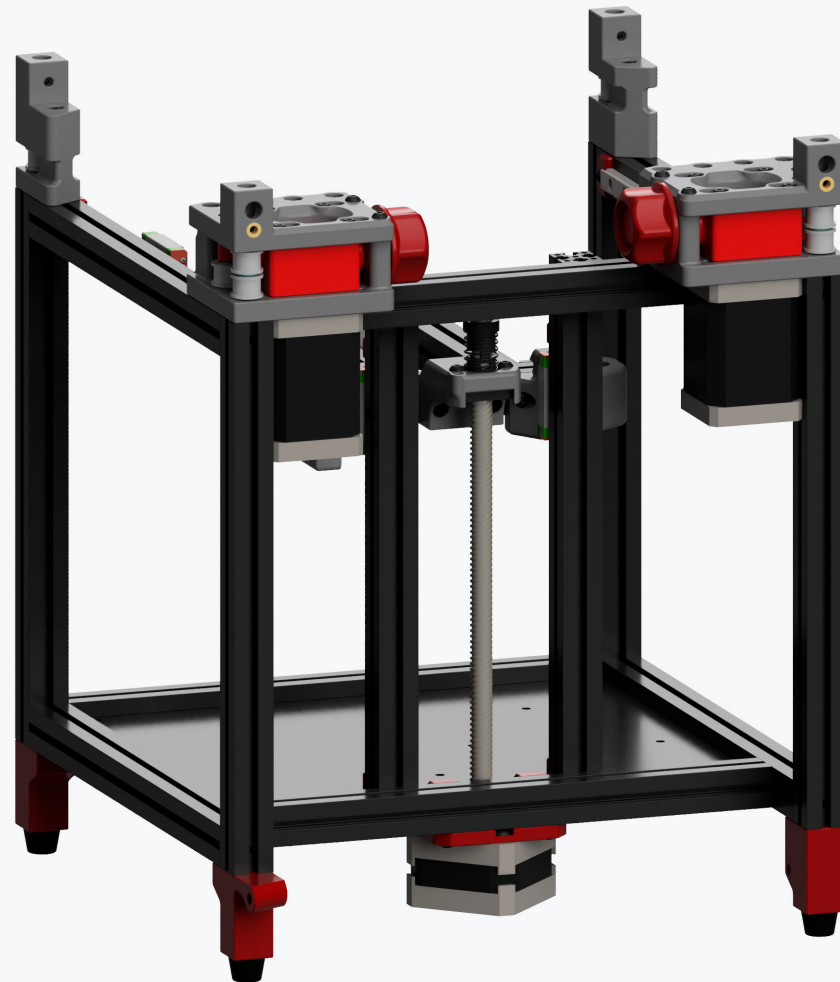
Compare your assembled parts to the graphics shown here.

Pay attention to the pulley orientation and alignment with the bearing stack ups.

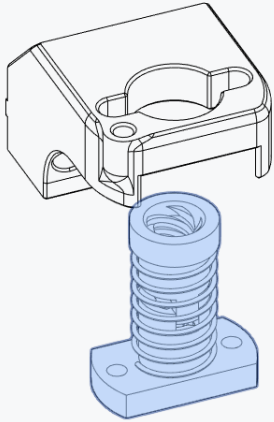
This page intentionally left blank.

Z AXIS

WWW.VORONDESIGN.COM



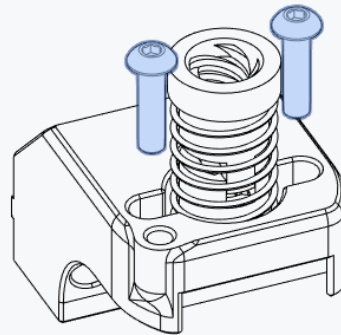
LEADSCREW NUT



Leadscrew Nut

NUT HOLDER

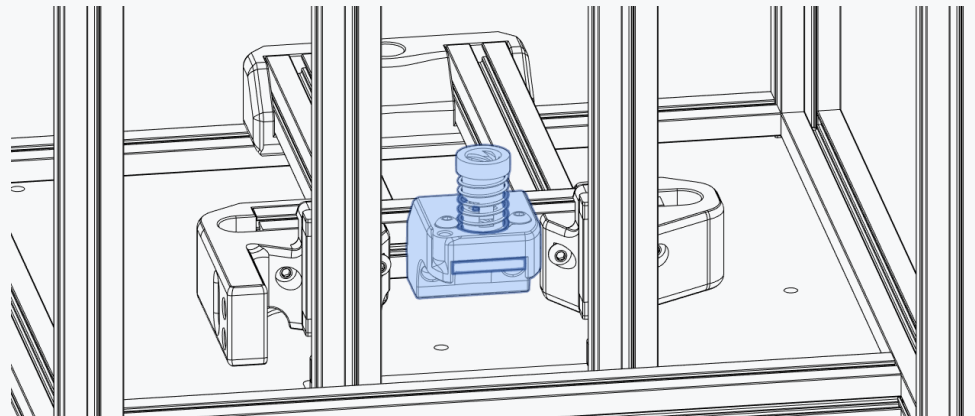
Models for different sized leadscrew nuts are included in the released files.

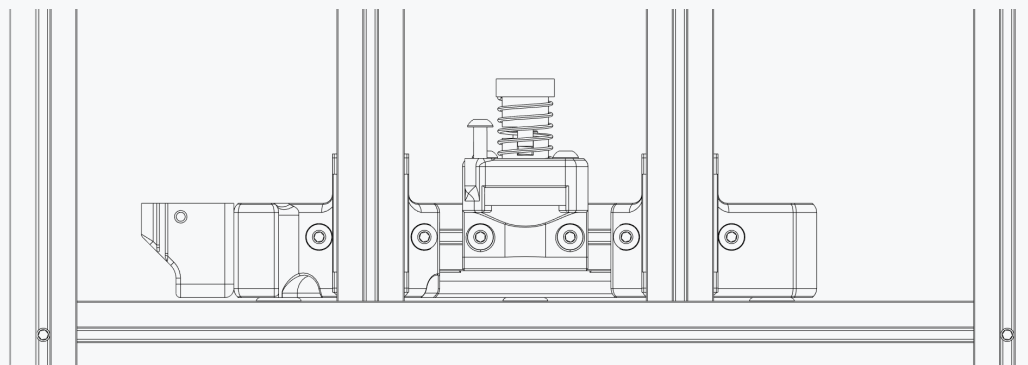
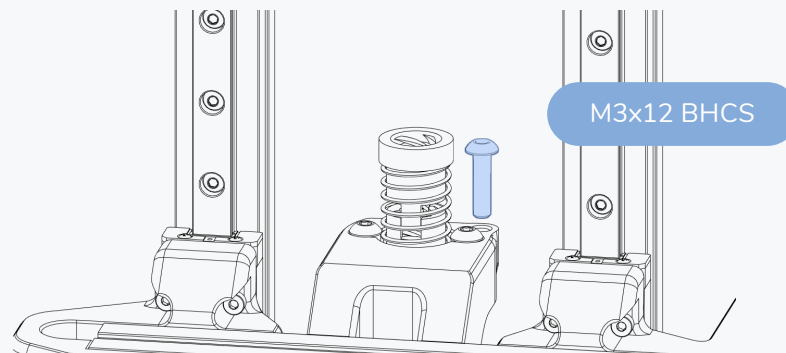
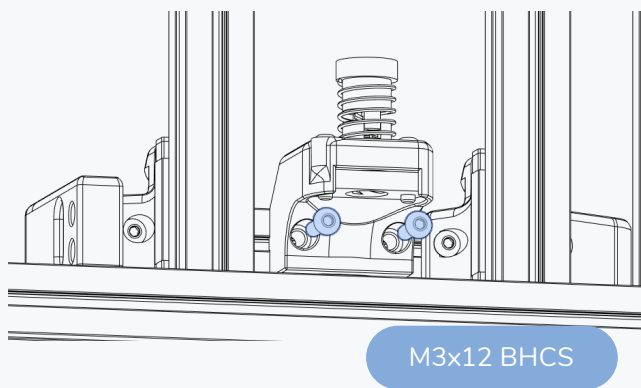


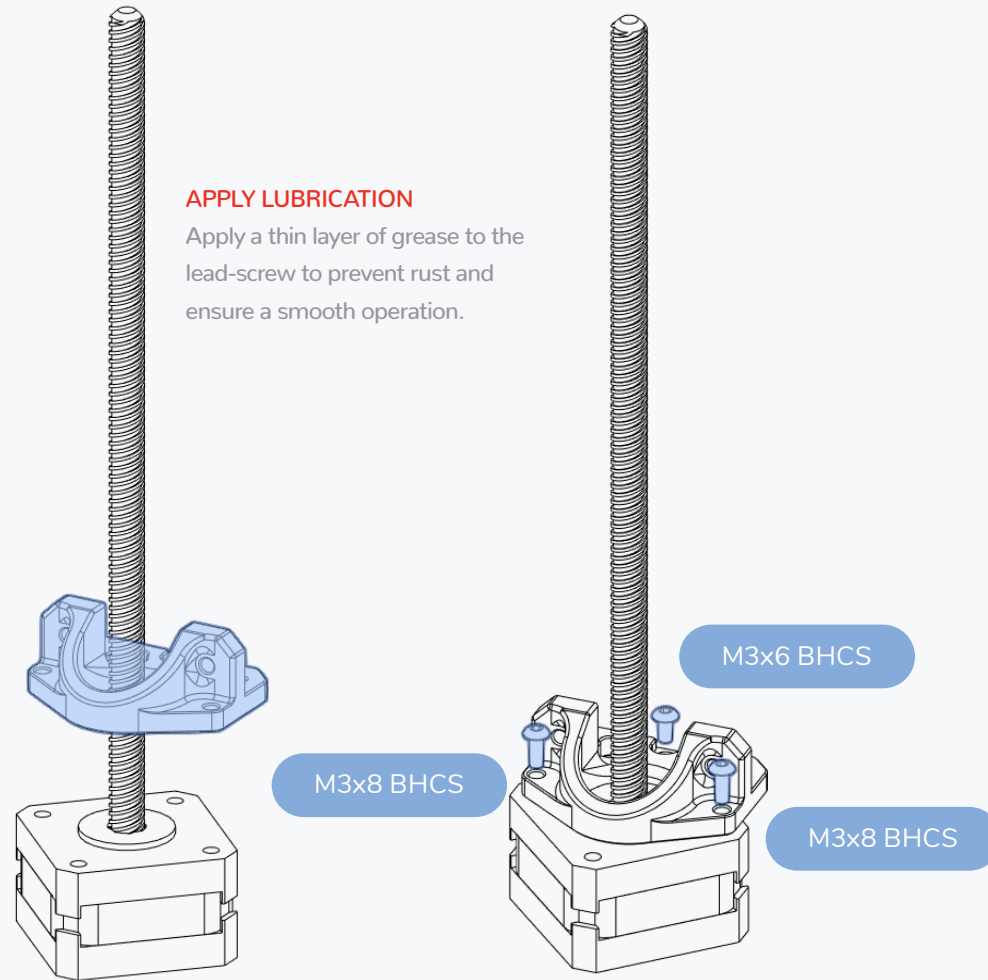
M3x12 BHCS

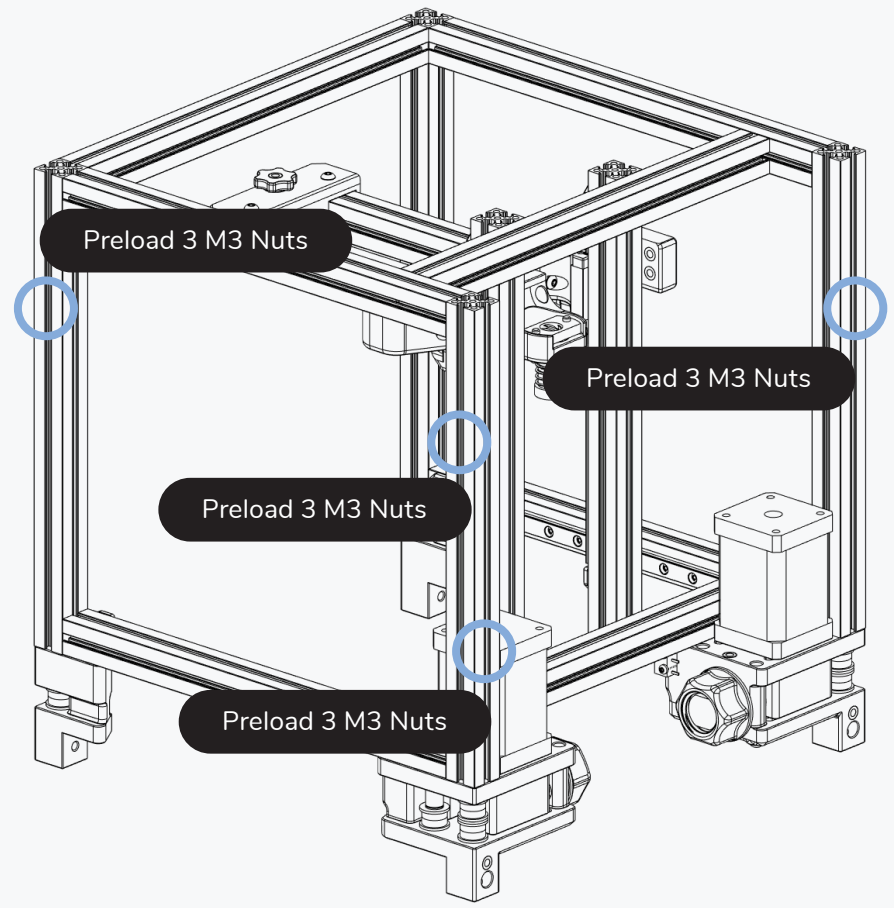
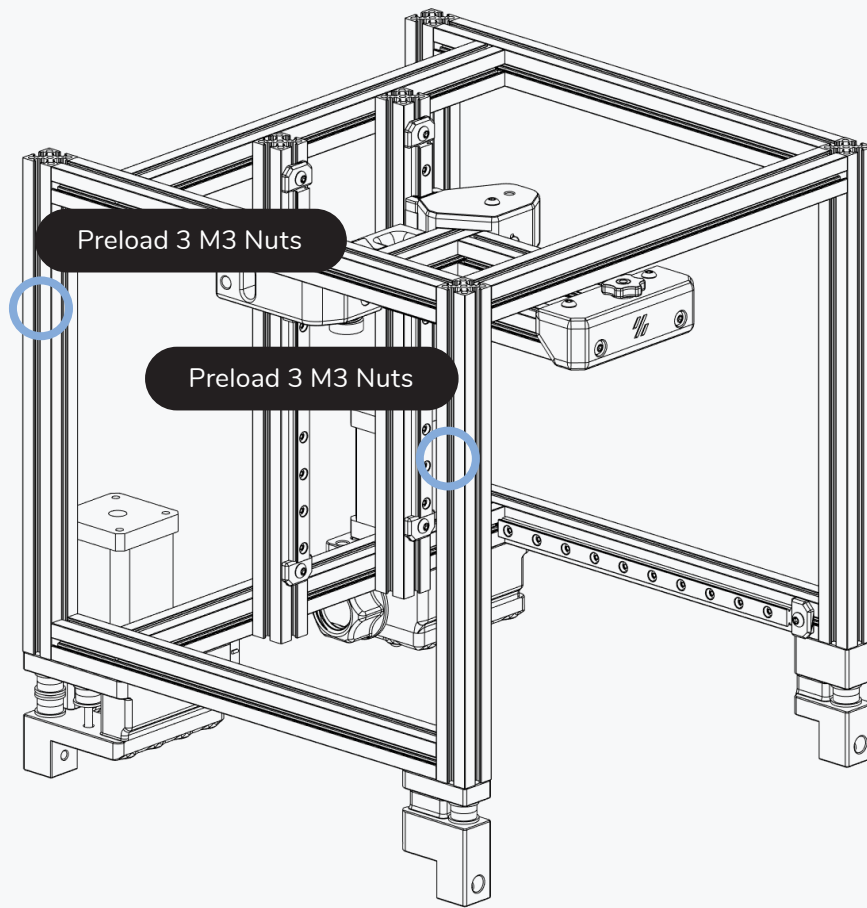
THROUGH-HOLE NUT?

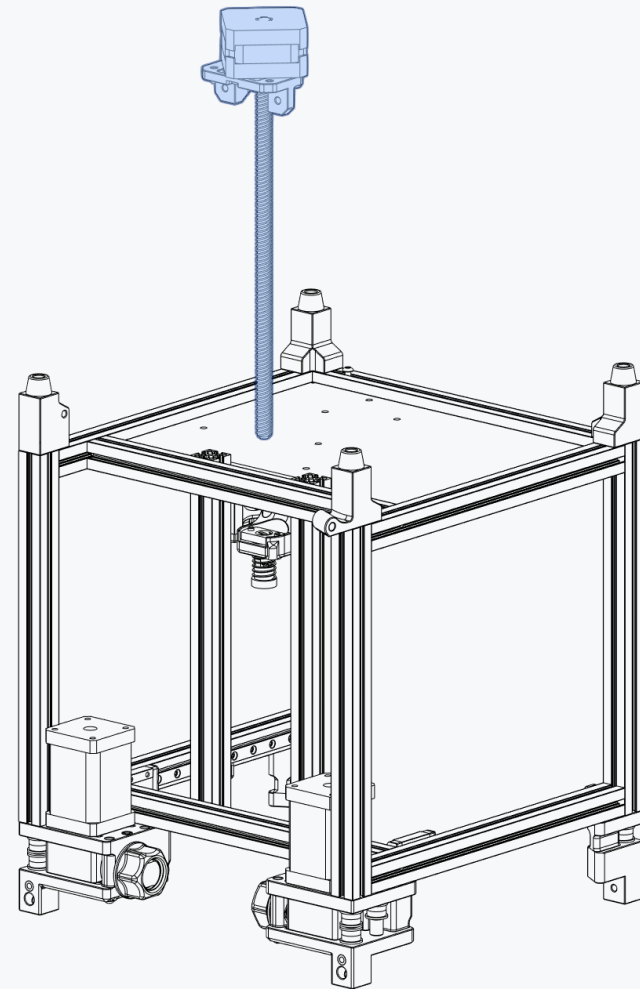
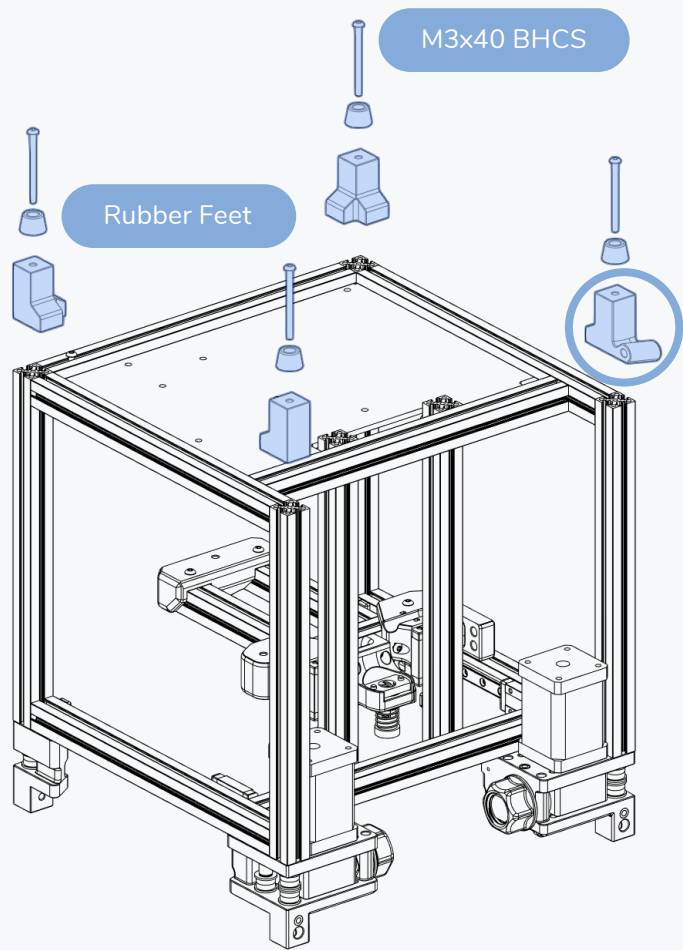
If your leadscrew nut does not have M3 threads use longer screws and M3 nuts to secure it.

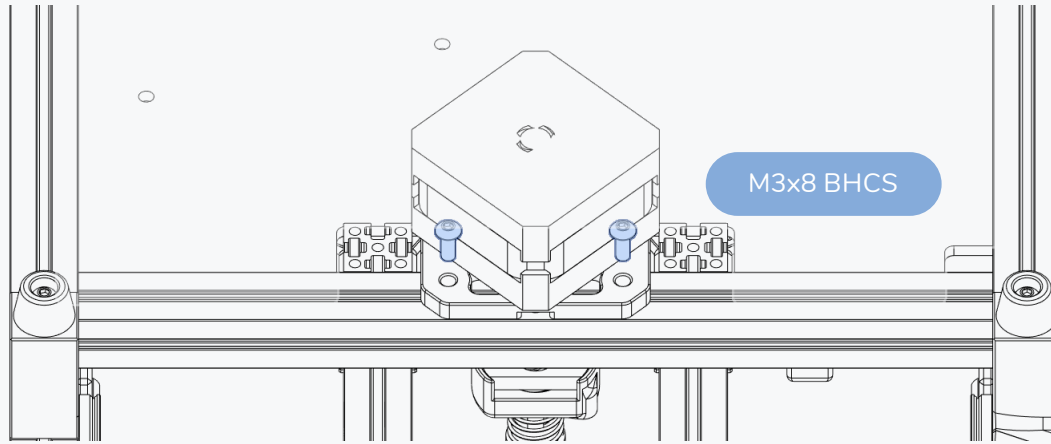






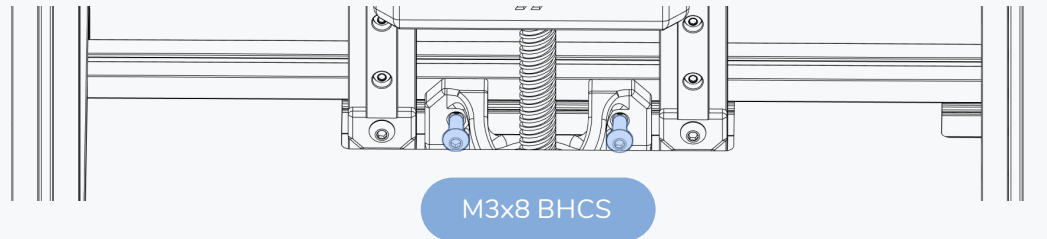






PRELOADED NUT POSITIONING

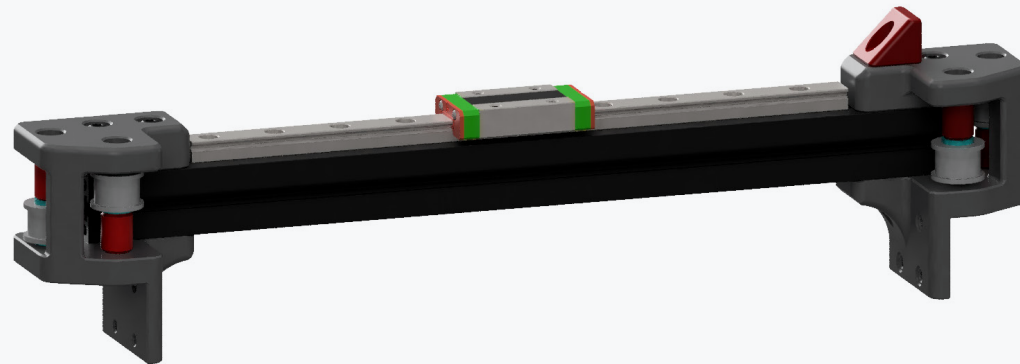
Move 2 of the preloaded nuts to the left of the stepper mount. The stepper mounts to the center nuts.



USE A BALL-END DRIVER

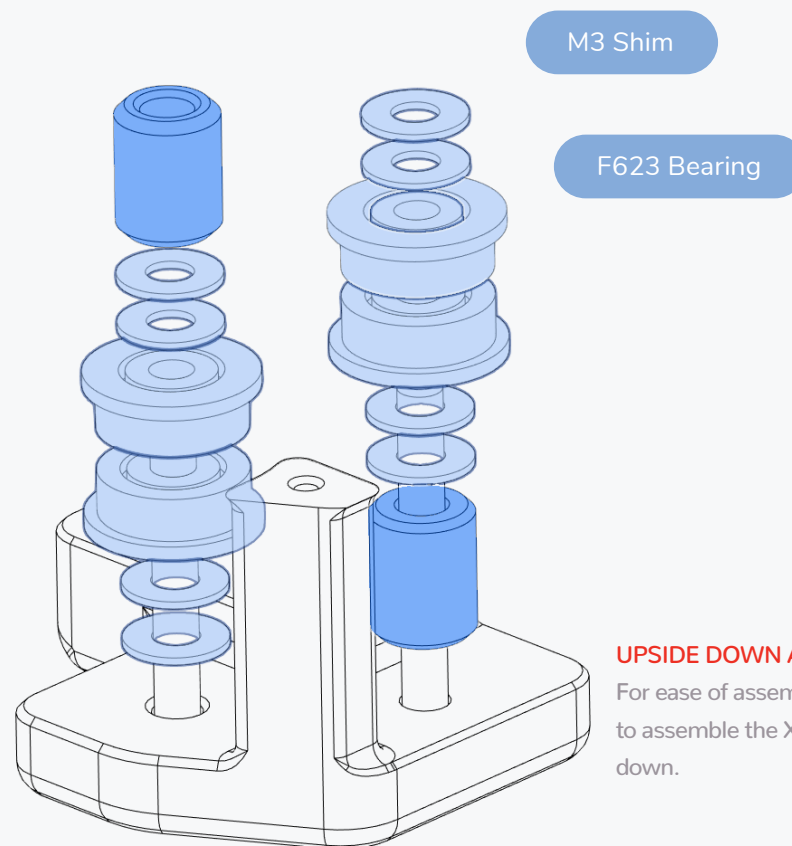
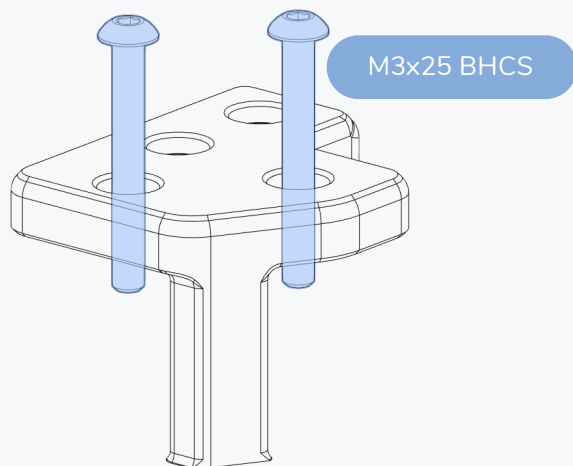
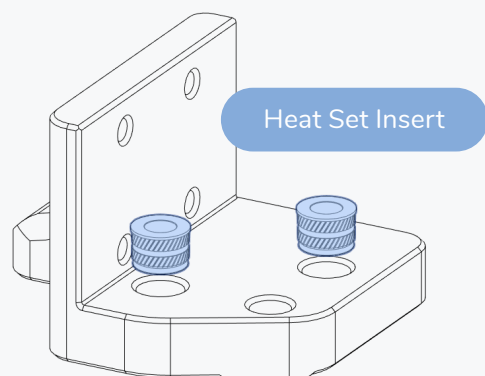
Use a 2.5mm ball-end driver to fasten the screws.

This page intentionally left blank.



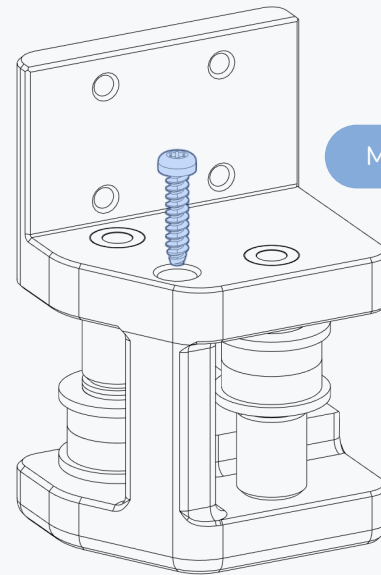
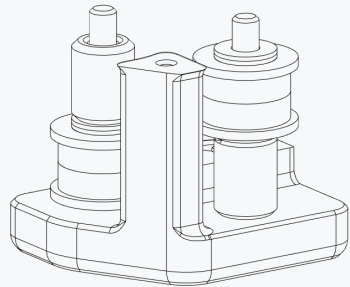
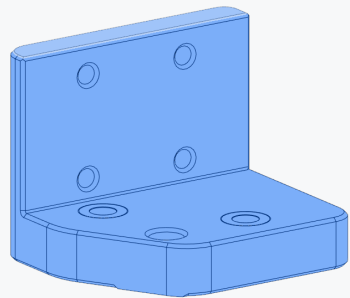
XY JOINTS

WWW.VORONDESIGN.COM

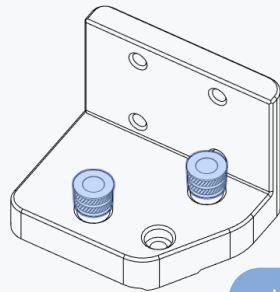


UPSIDE DOWN ASSEMBLY

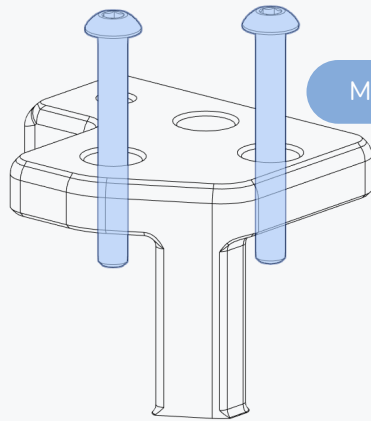
For ease of assembly we recommend to assemble the XY joints upside down.



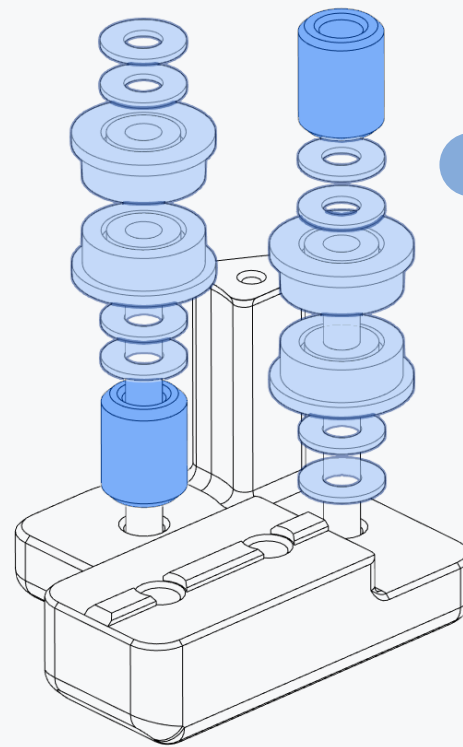
M2x10 Self Tapping



Heat Set Insert



M3x25 BHCS

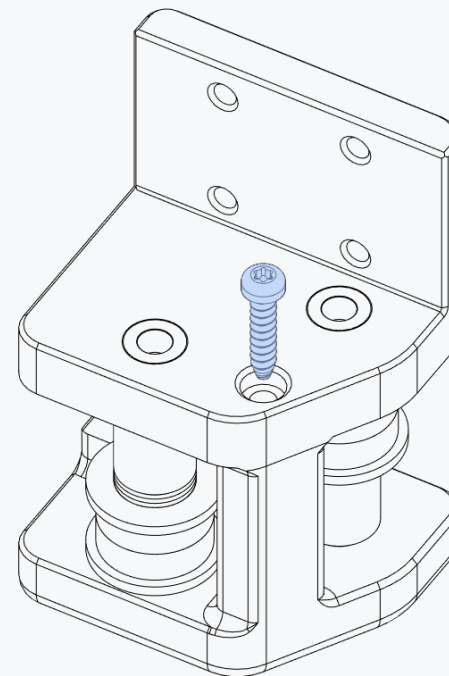
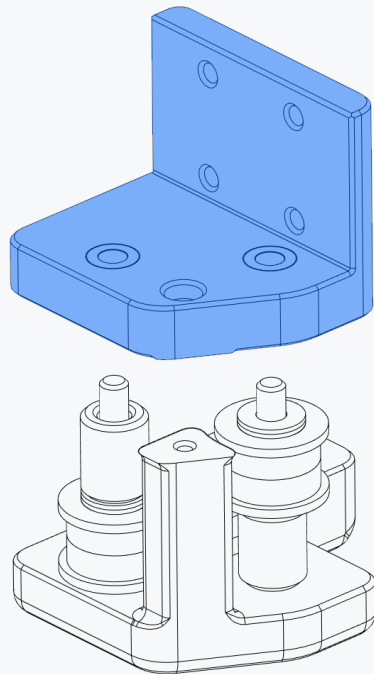


M3 Shim

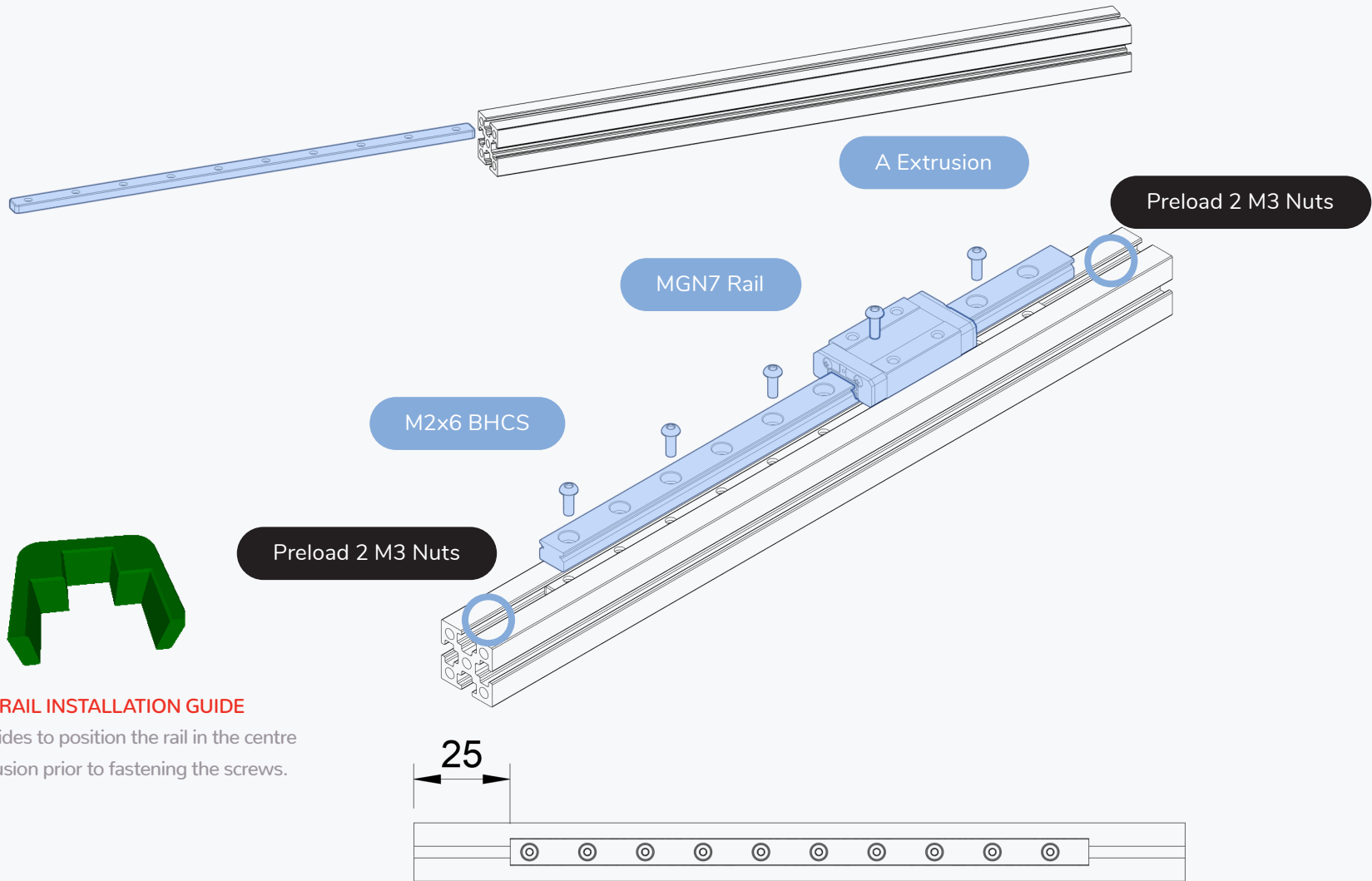
F623 Bearing

UPSIDE DOWN ASSEMBLY

For ease of assembly we recommend to assemble the XY joints upside down.



M2x10 Self Tapping

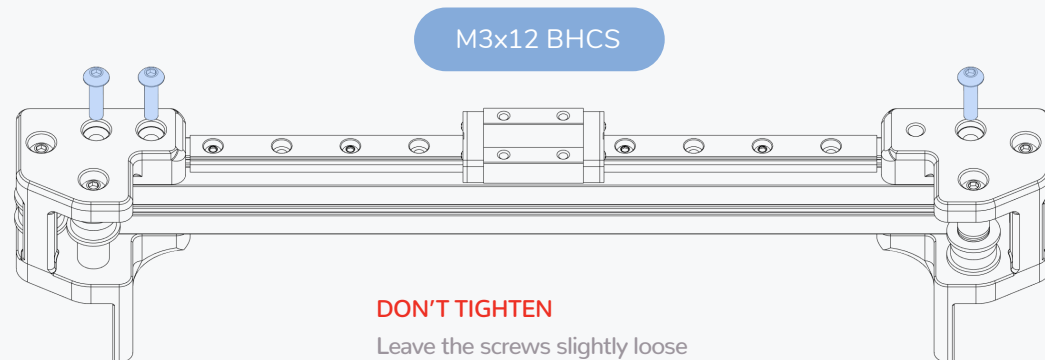


CENTRED RAIL INSTALLATION GUIDE

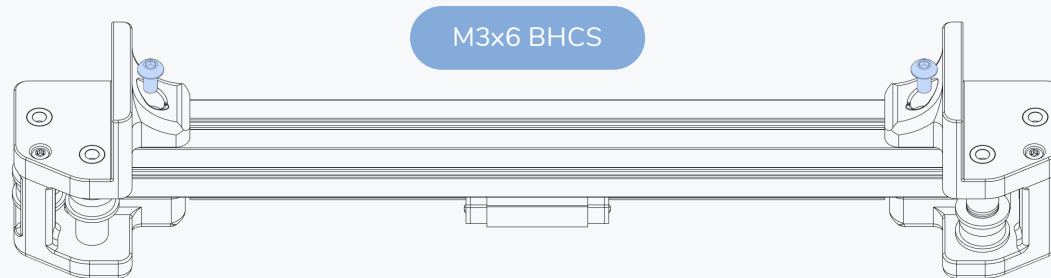
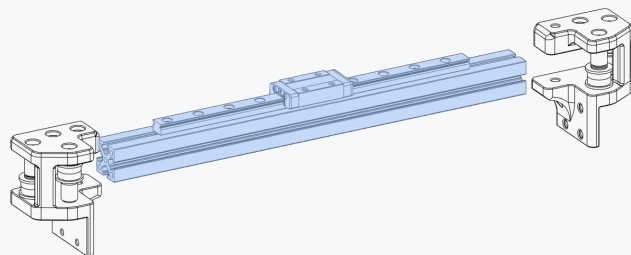
Use the guides to position the rail in the centre of the extrusion prior to fastening the screws.

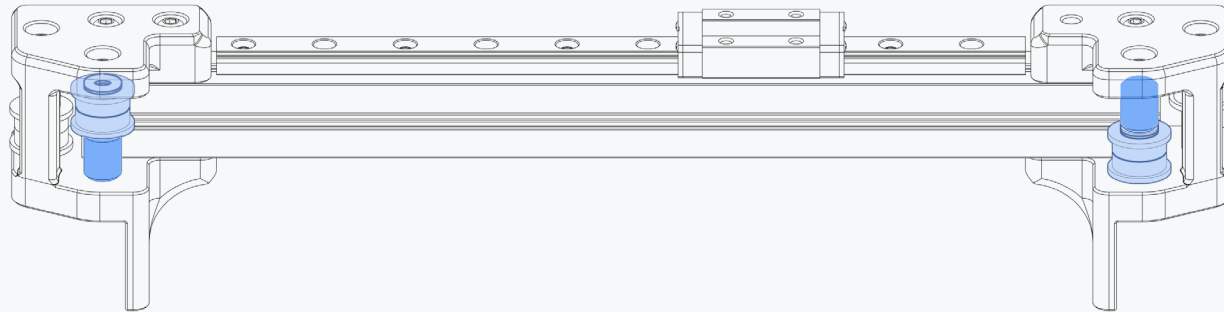


Preload 2 M3 Nuts



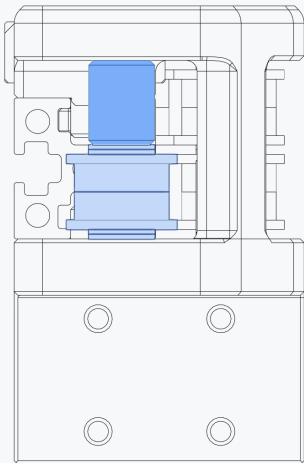
DON'T TIGHTEN
Leave the screws slightly loose
for the next step.





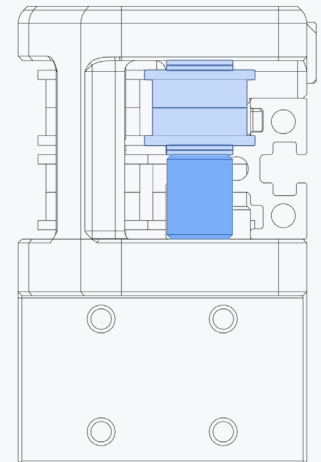
CHECK YOUR WORK

Compare your assembled parts to the graphic shown here. Pay attention to the pulley orientation and alignment with the bearing stack ups.



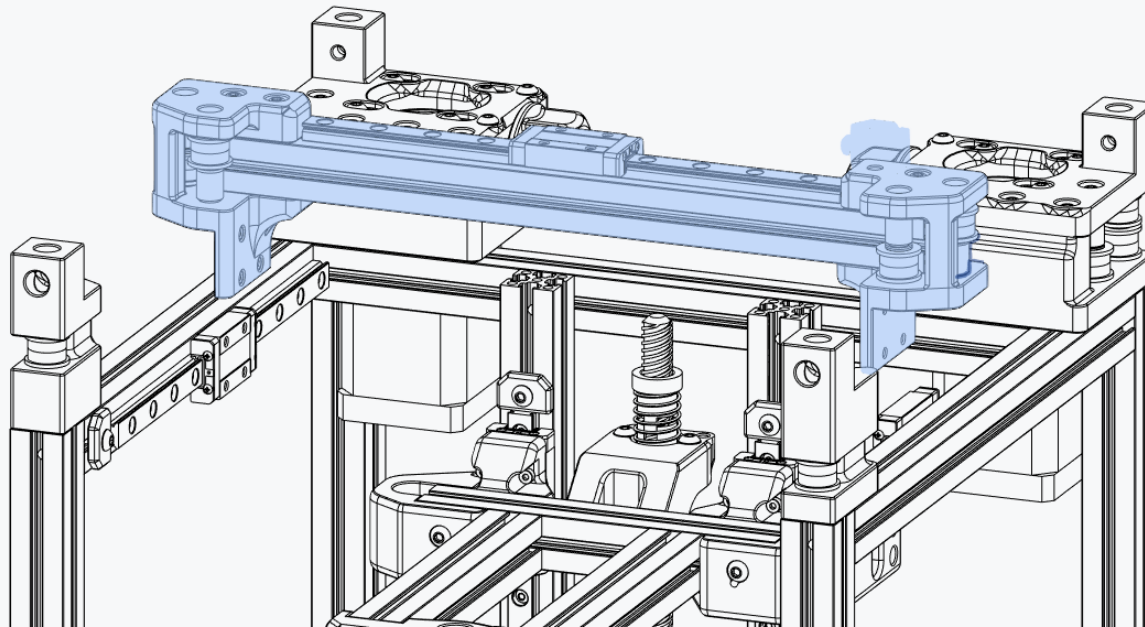
SIDE VIEW

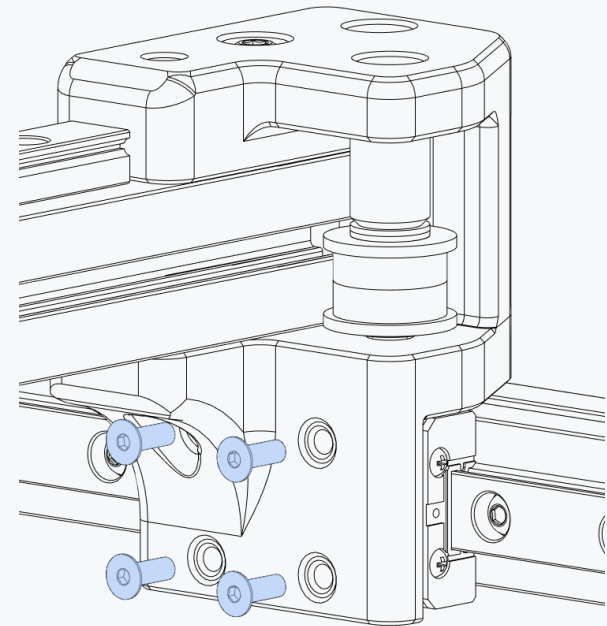
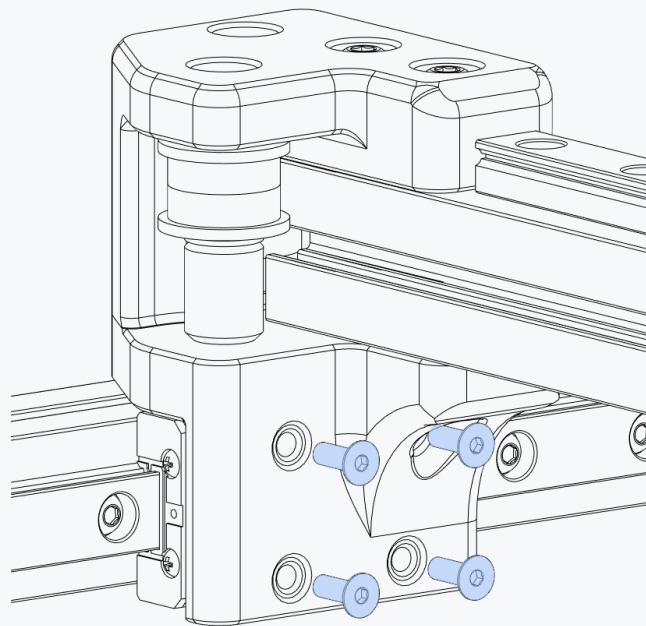
The image shows the rearwards idler on the left side.



SIDE VIEW

The image shows the rearwards idler on the right side.

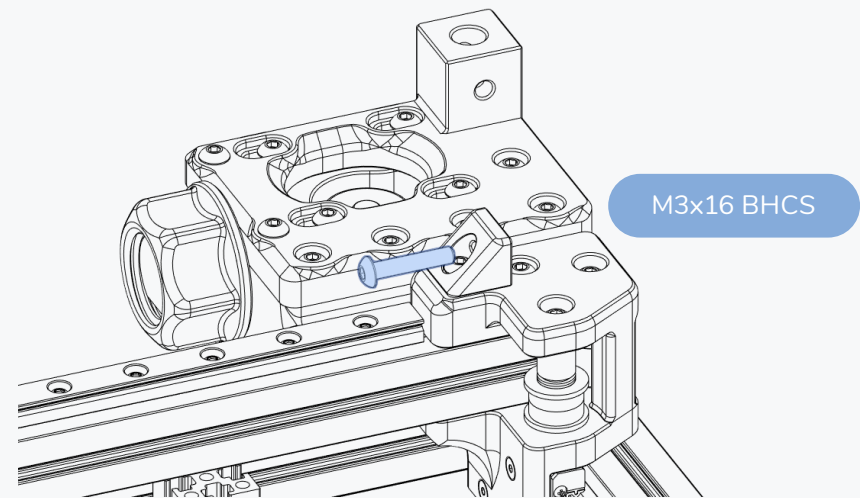
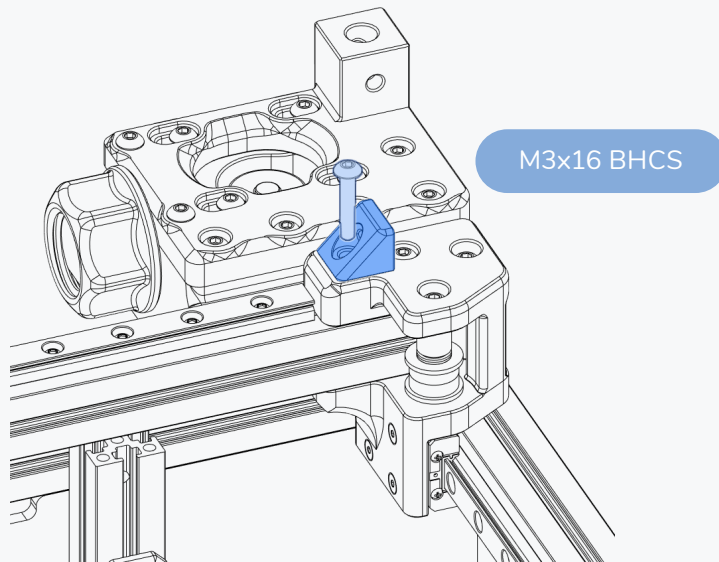




M2x6 FHCS

X AXIS END-STOP STRIKE BLOCK

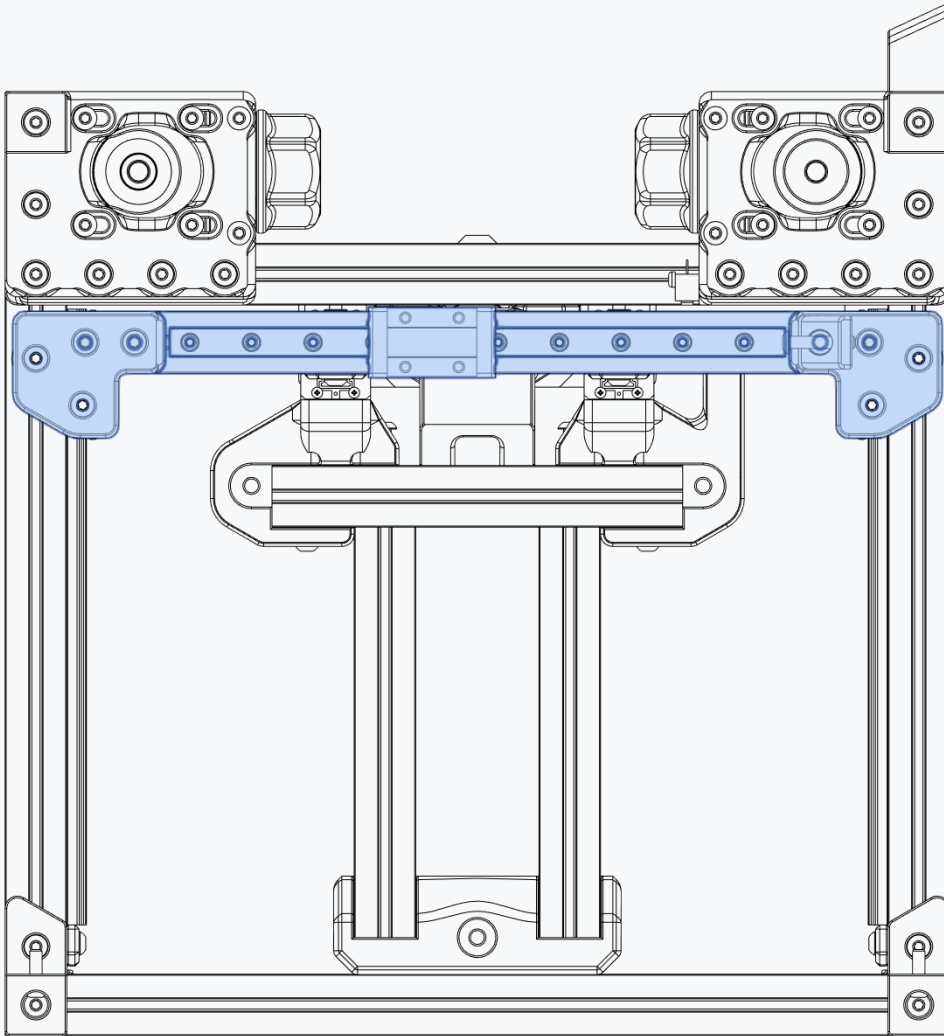
WWW.VORONDESIGN.COM



X END-STOP

The screw is used to set the trigger position for the X end stop.

X AXIS

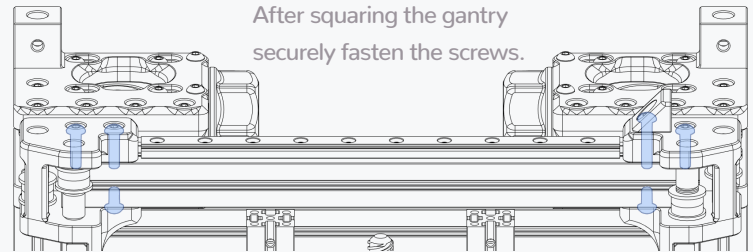


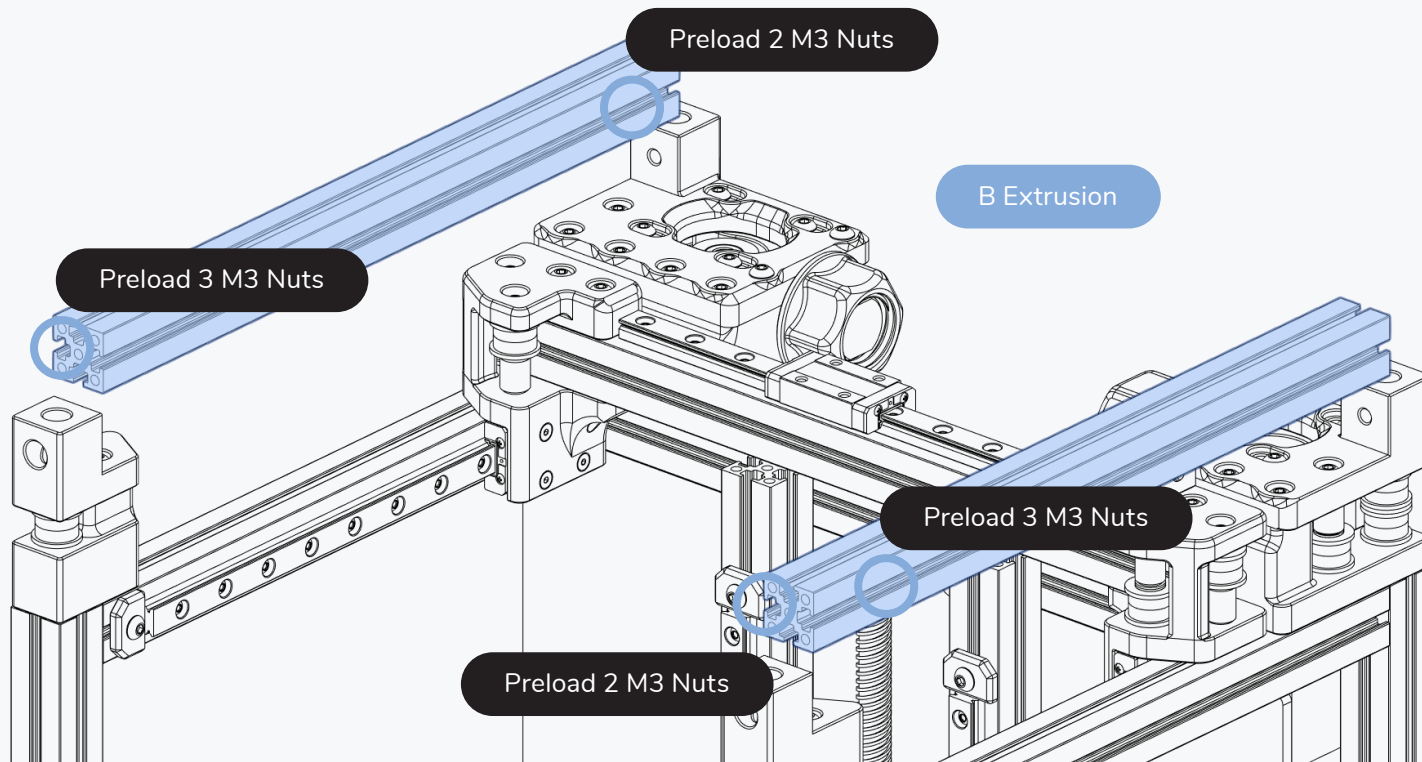
SQUARING THE GANTRY

Move the gantry all the way back until it hits the A and B drive on both sides.

TIGHTEN SCREWS

After squaring the gantry securely fasten the screws.



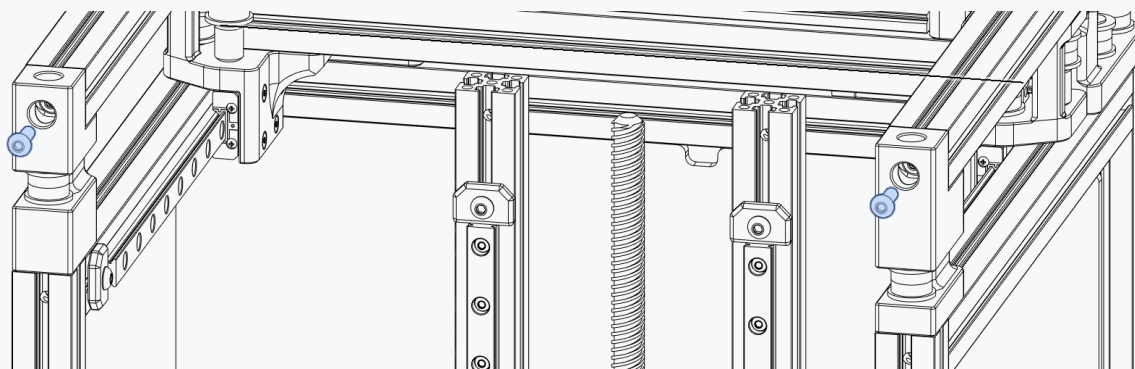


PRELOADING NUTS

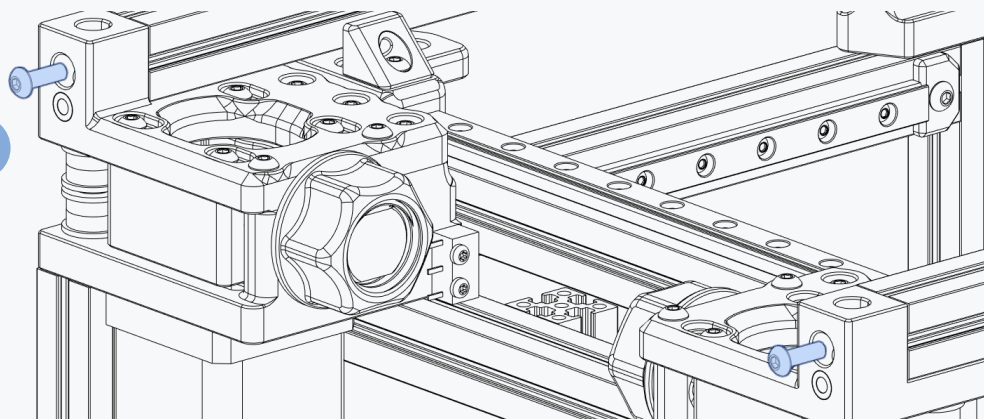
Preload 3 M3 nuts into the outer channels of each extrusion.
2 M3 nuts into the inside channels.

TOP BEAMS

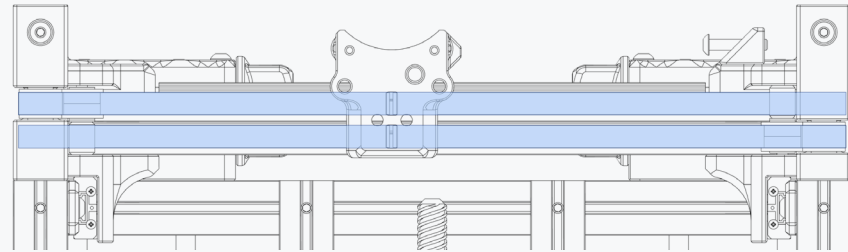
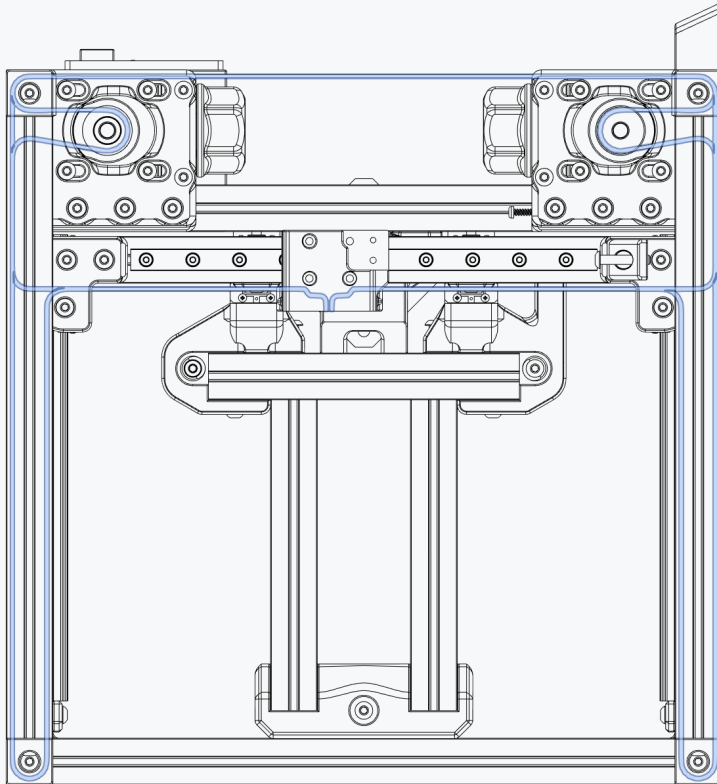
M3x10 BHCS



M3x10 BHCS







THE VORON BELT PATH

Voron printers use a belt path based on the popular CoreXY pattern.

The individual belt paths are stacked on top of each and the crossing often found in CoreXY designs is omitted. Compared to many other implementations, the motors are moved to a less intrusive position. To learn more about the principles behind CoreXY visit <https://voron.link/ef72dd6>

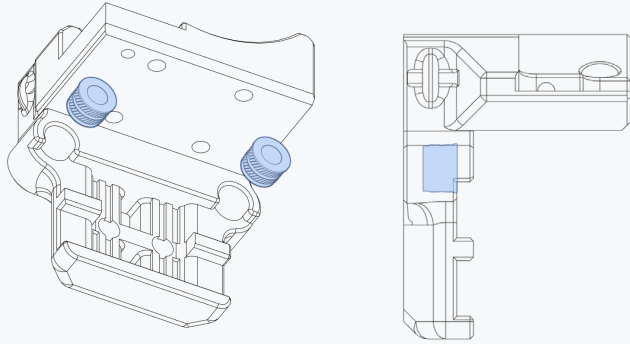
Equal belt tension is important to the proper function of a CoreXY motion system.

We recommend to run one belt to get the required length, remove the belt from the printer and cut the second belt to the exact same length.

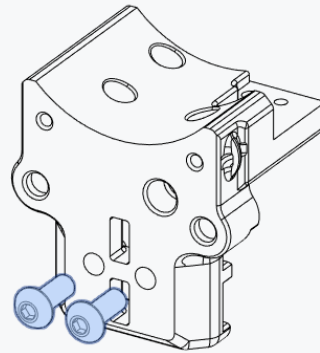
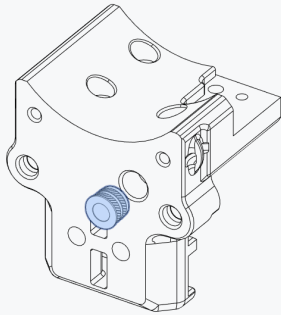
As both belt paths have the same length this is an easy way of getting a consistent tension.

X CARRIAGE

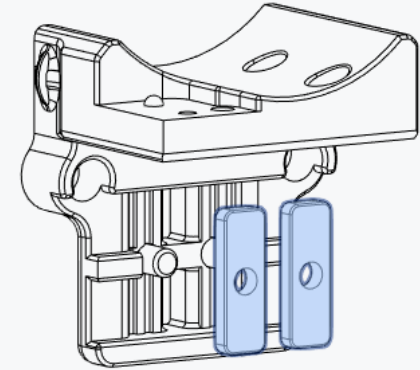
WWW.VORONDESIGN.COM



Heat Set Insert



M3x8 BHCS

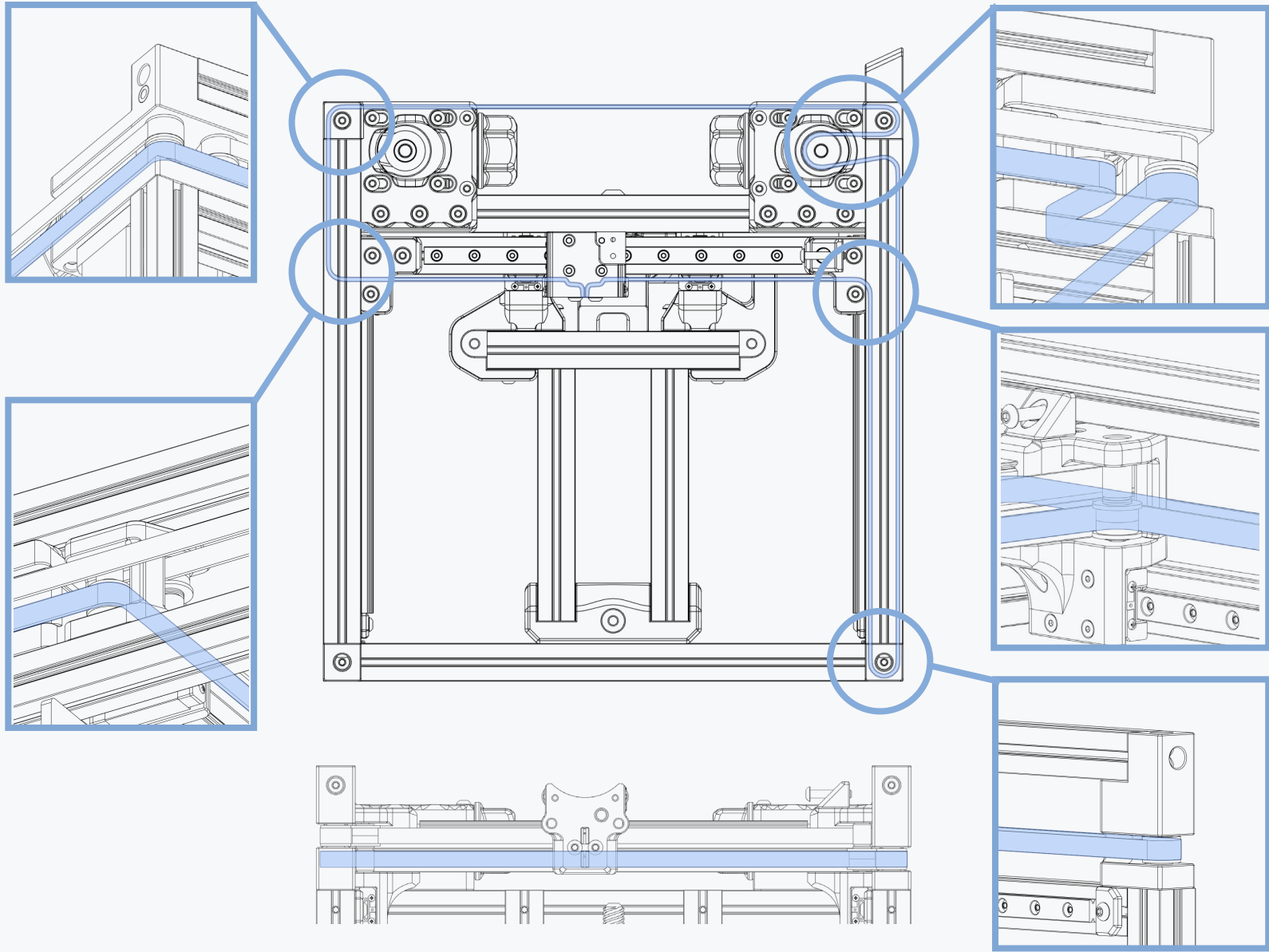


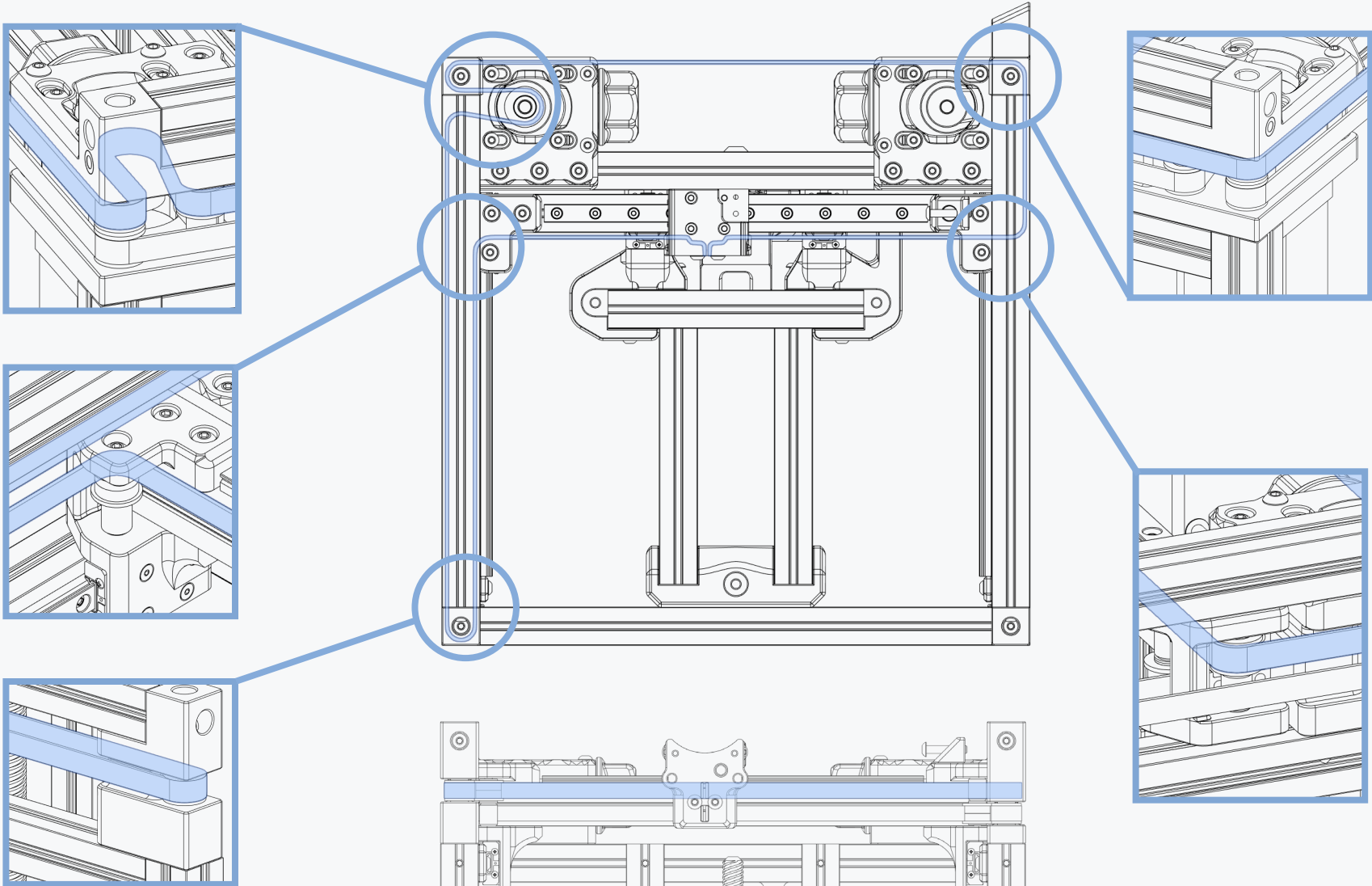
M3 "MakerBeam XL" Nuts

DON'T TIGHTEN

Leave the nuts loose. The belt is threaded into this part in the next step.

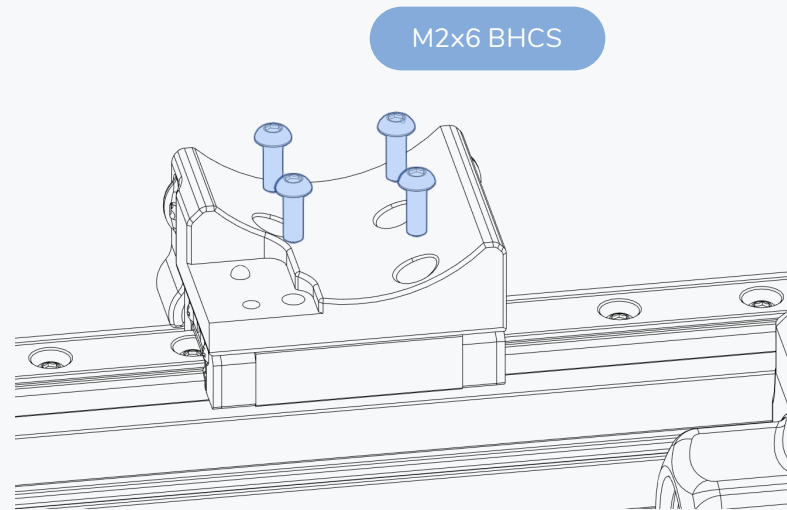
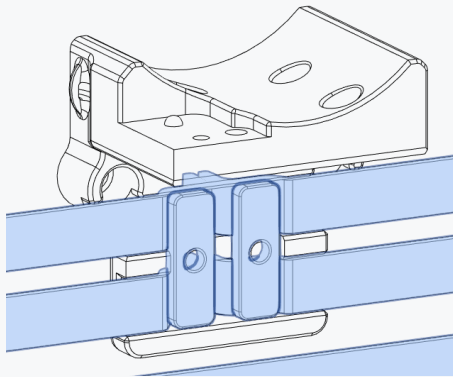
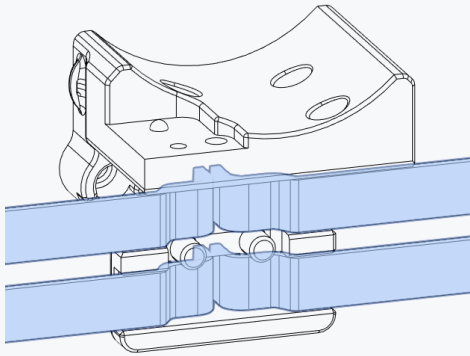
A BELT





X CARRIAGE

WWW.VORONDESIGN.COM



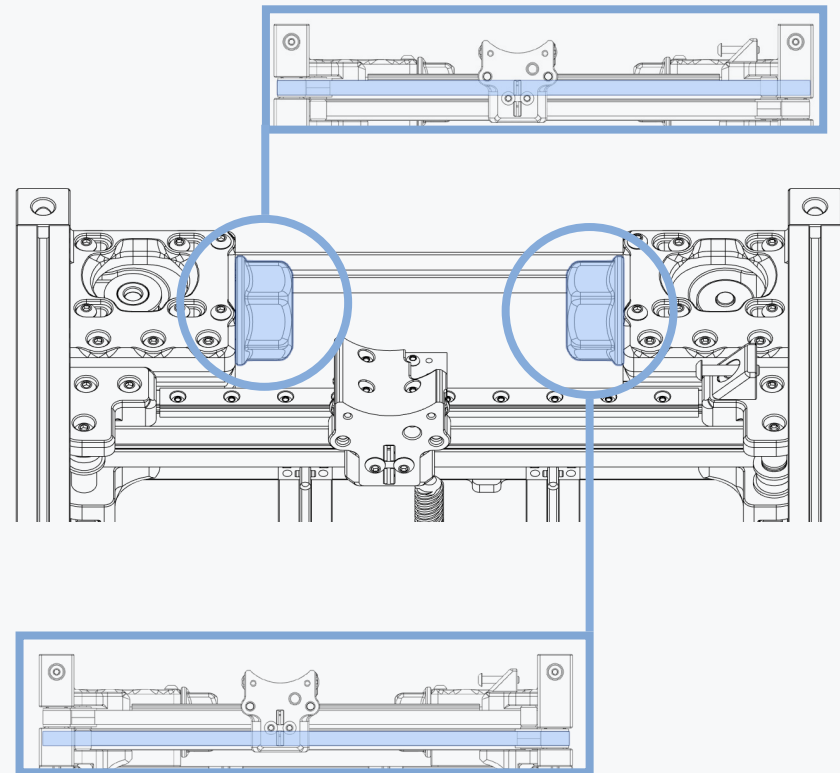
RUN THE BELTS FIRST

Install and tighten the belts prior to fixing the x carriage to the rail cart.

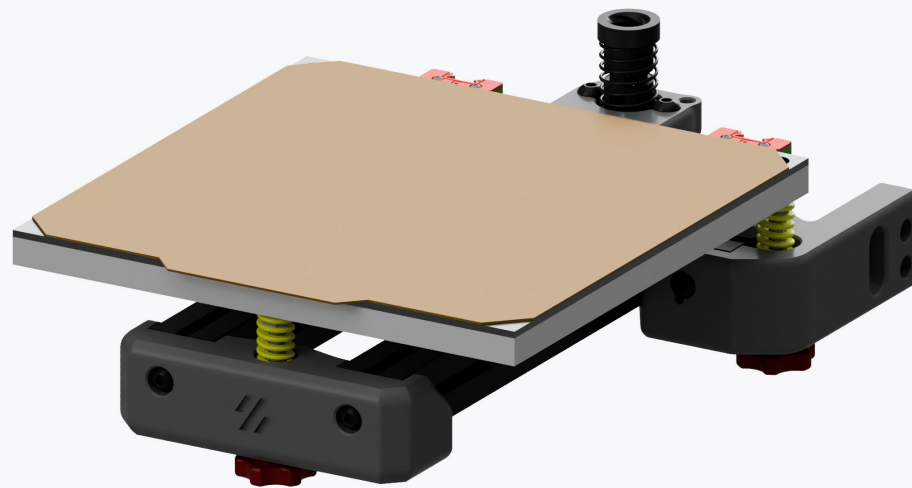
BELT TENSION

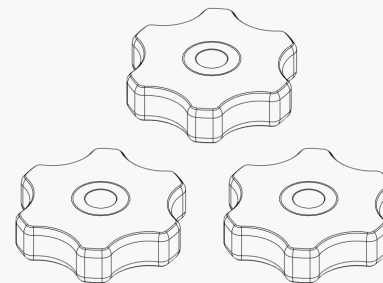
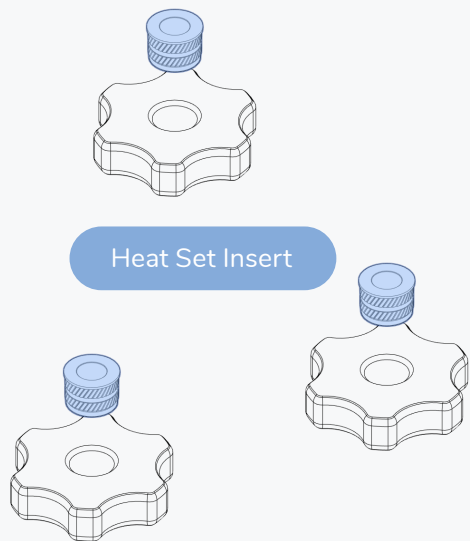
Equal belt tension is important to the proper function of a corexy motion system. Even slight differences in belt tension will result in skewed motion.

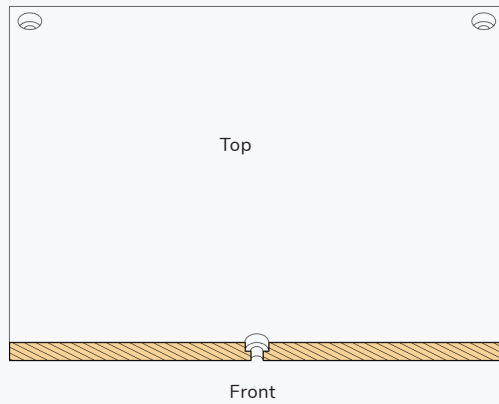
Due to the small size of the V0 belt path the required tension may feel higher compared to larger printer but this is mainly due to the short belt runs and belt stiffness.



This page intentionally left blank.



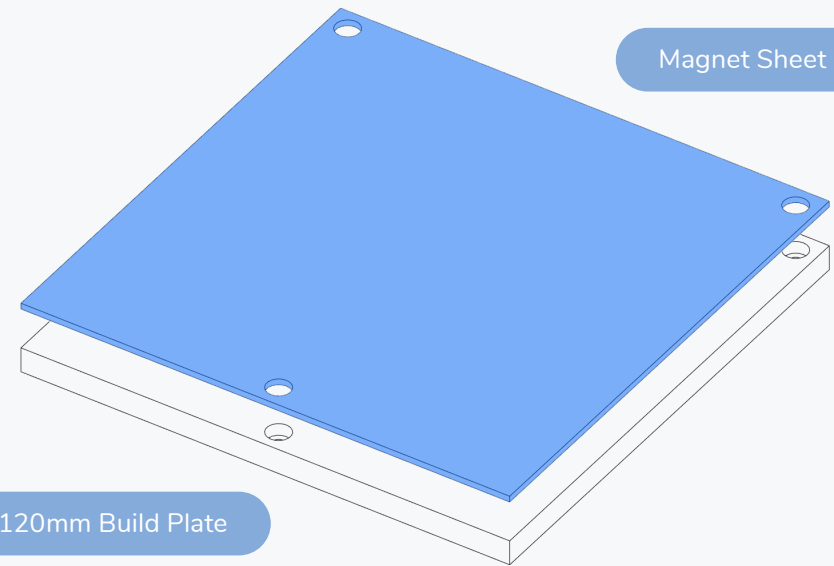




ORIENTATION OF THE BUILD PLATE

The side with the single hole is the front of the build plate.

The counterbores are on the top of the build plate.



MAGNET APPLICATION

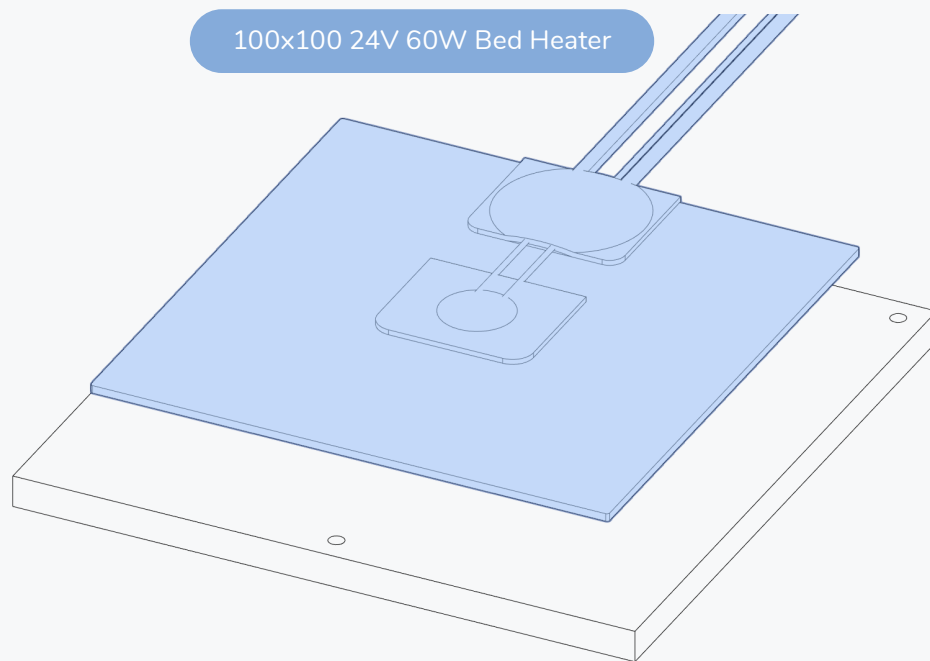
Clean the plate with isopropyl alcohol or similar cleaner prior to applying the magnet.

Use the edge of a plastic object or a small roller to firmly press the magnet on the plate to get a good bond.

If you have never done this before we recommend you watch the linked guide.



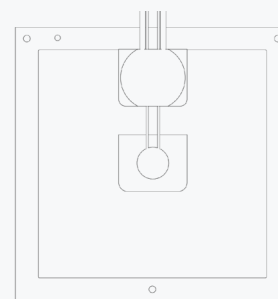
<https://voron.link/rm6tpld>

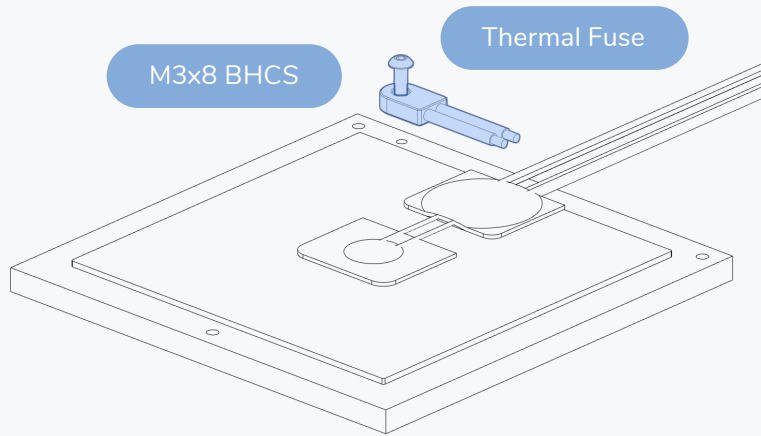


HEATER APPLICATION

The heater is installed in the same fashion as the magnet.

Centre it on the underside of the build plate and make sure to firmly press it on the build plate.

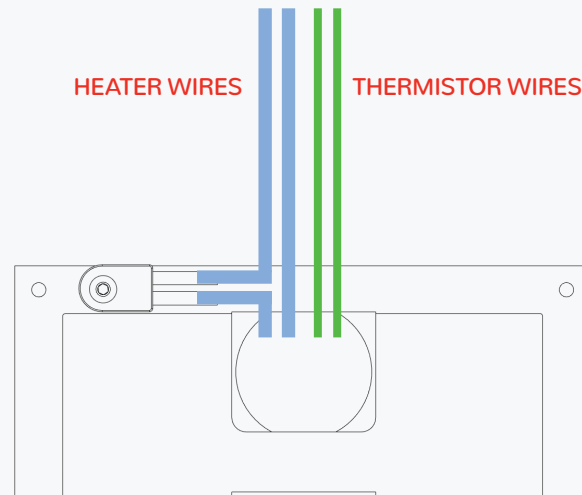


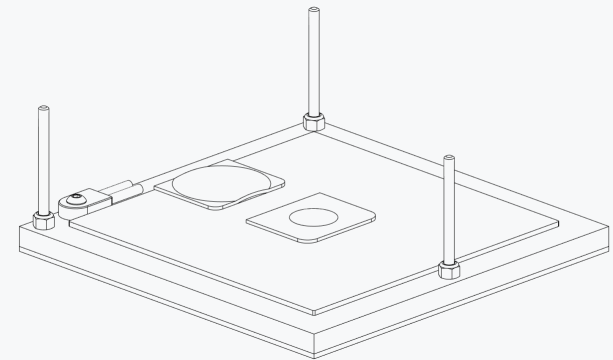
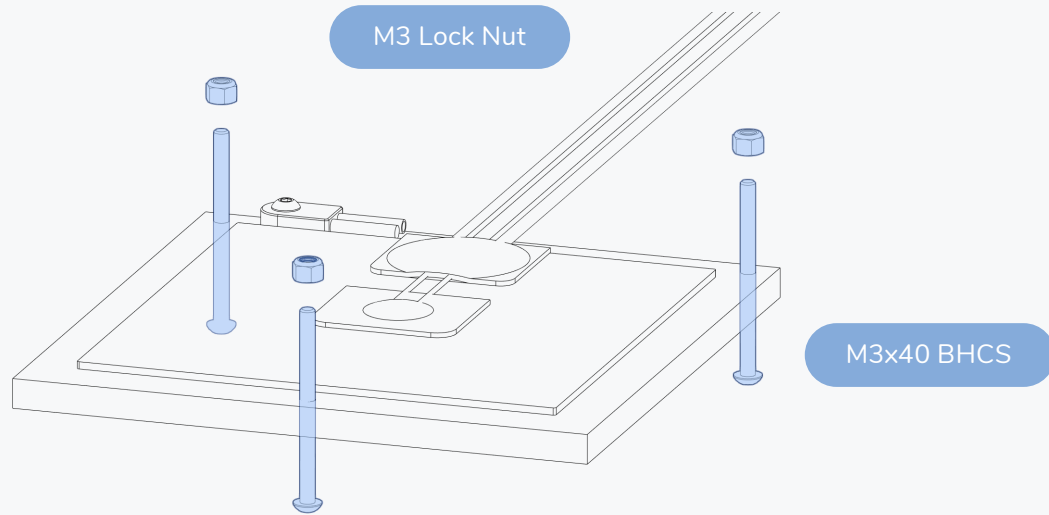


THERMAL FUSE

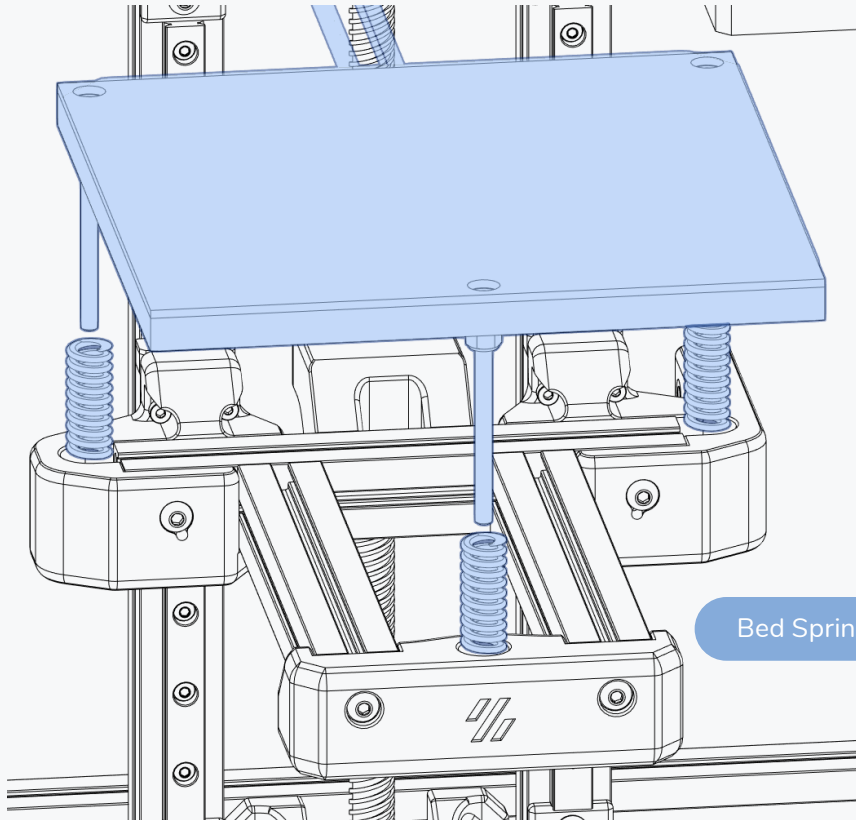
While not required to operate the printer, a thermal fuse attached to the build plate adds an additional layer of protection against potentially dangerous malfunctions.

The thermal fuse is wired in-line with the heater wires.

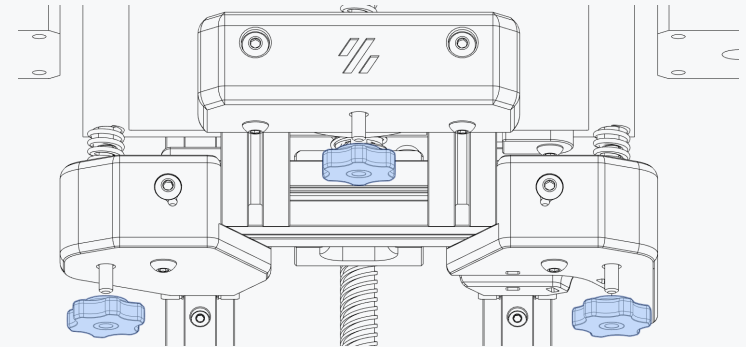




FULLY TIGHTEN
Tighten the lock nuts to prevent the screws from rotating.



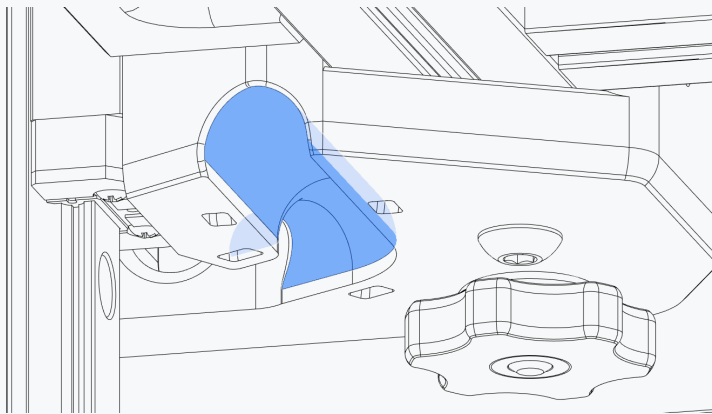
Bed Springs



A NOTE ON HEAT BED WIRES AND CABLE CHAINS

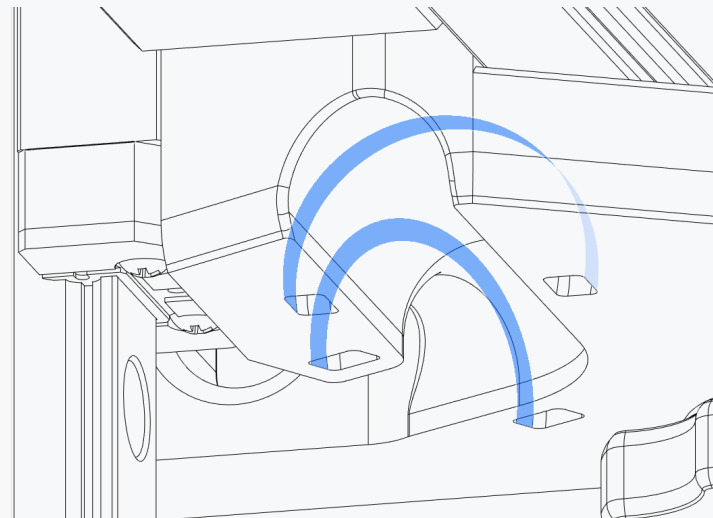
The heat bed that we specify in our sourcing guide has individual wires. This allows for an easy installation into these parts and the cable chain.

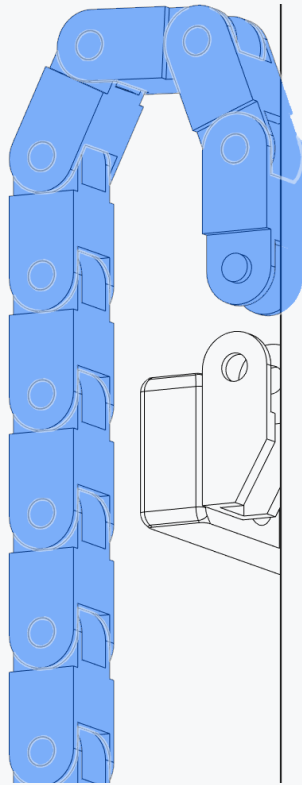
If you sourced a different model the next steps might not be as easy.



PATH FOR HEATER WIRES

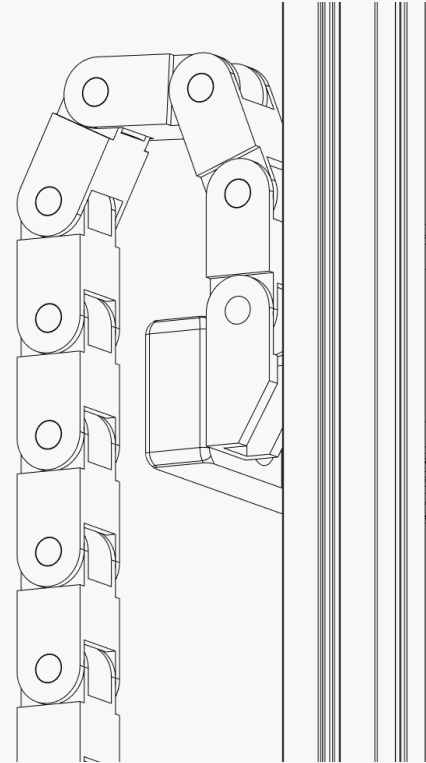
Guide the heater wires in the highlighted path and secure them using the zip tie loops.





CABLE CHAIN

Attach the previously removed parts of the cable chain to the end link.



CABLE CHAIN

Guide the heater wires through the cable chain.

END LINK? WHAT END LINK?

The end piece of the chain was attached in an earlier step.

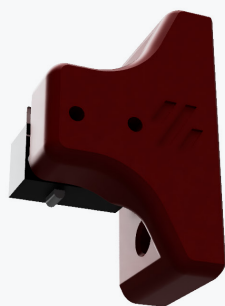
If you missed the installation you may be able to mount it to the outside.

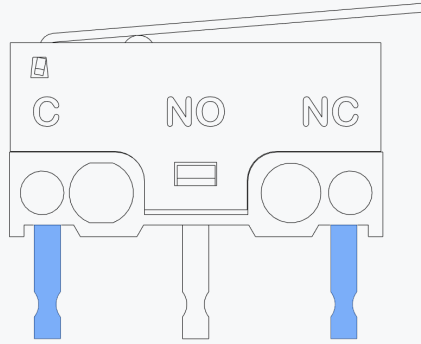
A printed cable chain with a small bend radius is included in the released files.

This page intentionally left blank.

END-STOPS & REAR PANEL

WWW.VORONDESIGN.COM



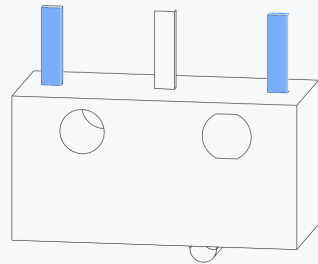


PREPARE 2 END-STOP SWITCHES FOR X AND Y

End-stops are wired in a “Normally Closed” configuration. On microswitches those are the 2 outer terminals indicated by C and NC.

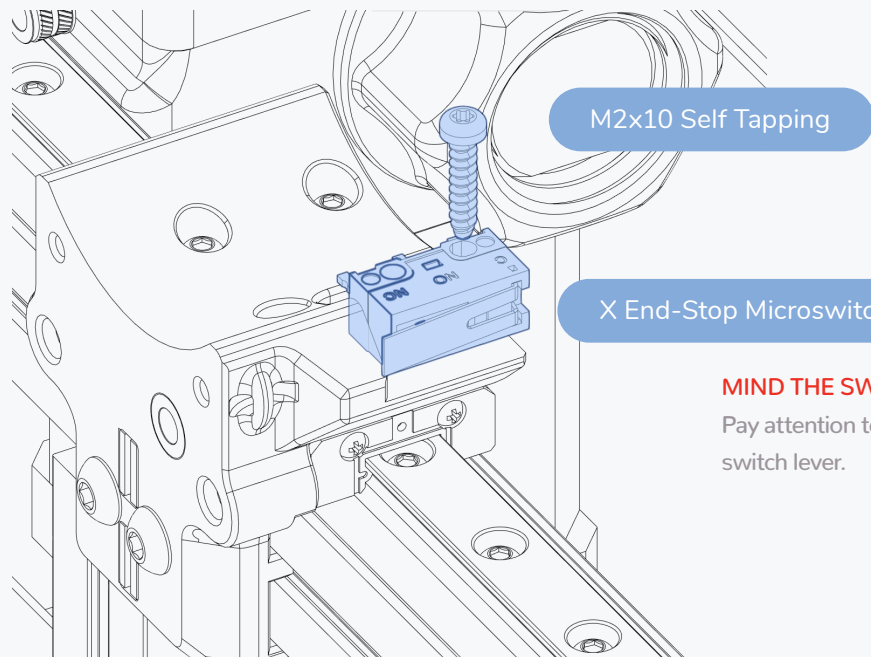
Prepare the switch for Y by soldering 250mm of wire to each of the outer terminals.

Solder 450mm of wire to each of the terminals of the X end-stop.

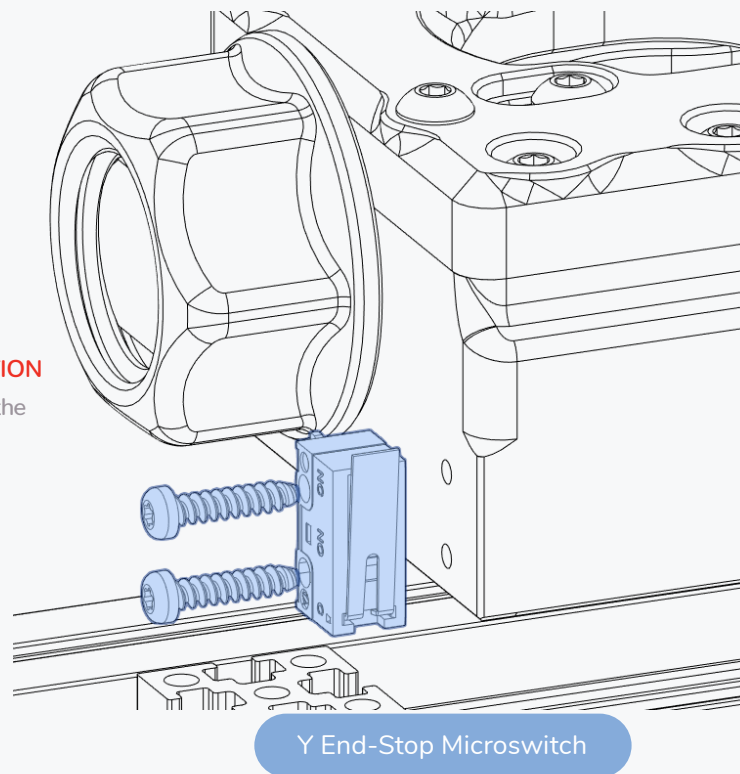


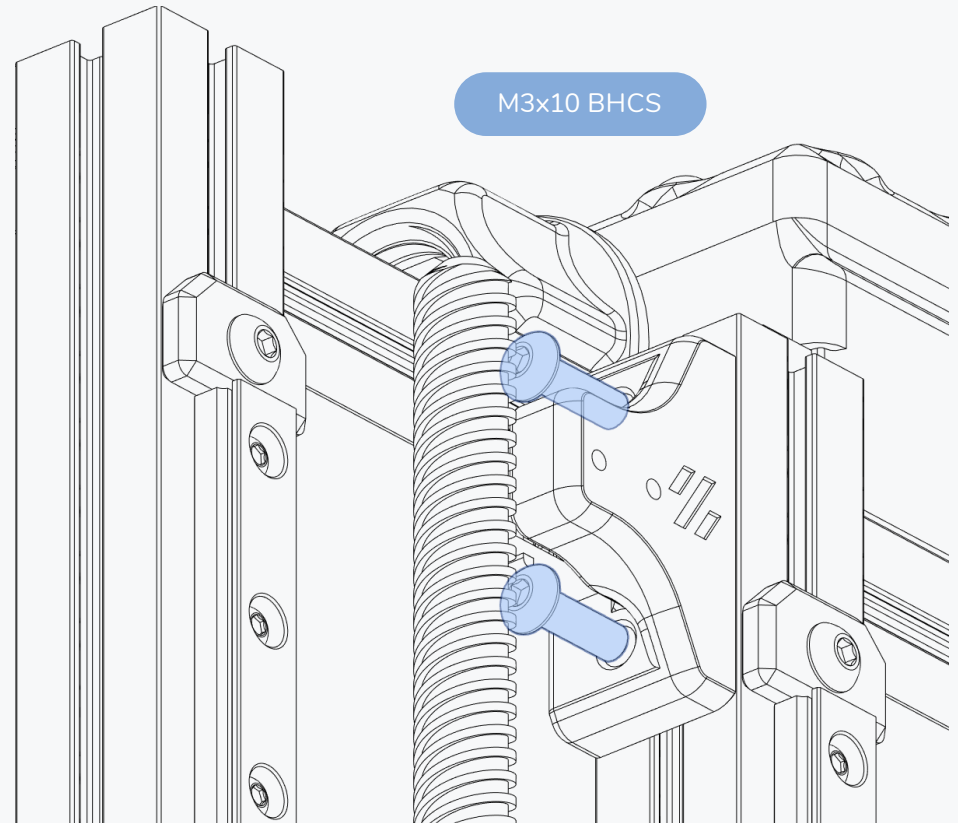
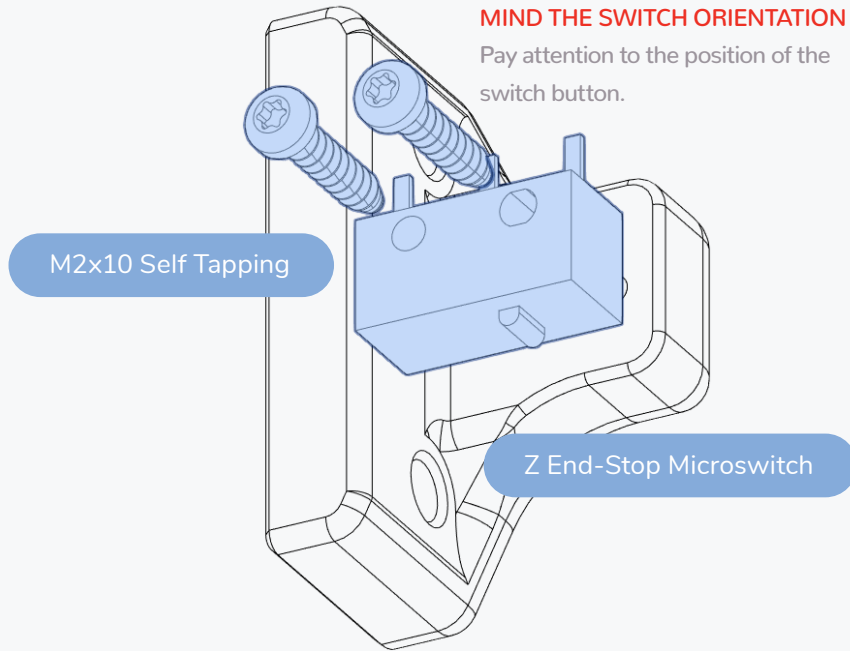
PREPARE 1 END-STOP SWITCH WITHOUT LEVER FOR Z

Prepare the switch for Z by soldering 250mm of wire to each of the outer terminals. If the switch has a lever carefully remove the lever from the switch.



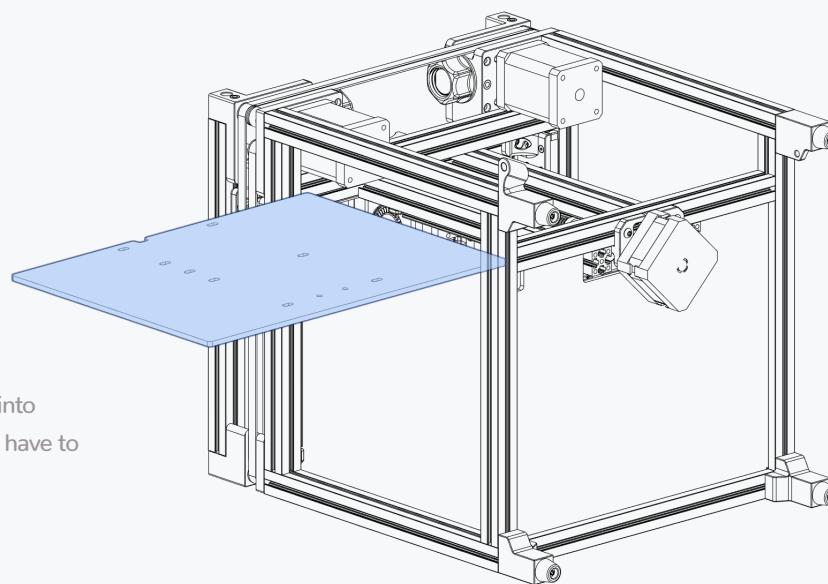
MIND THE SWITCH ORIENTATION
Pay attention to the position of the switch lever.





END-STOP MOUNTING

The 2 M3 nuts are dropped in from the top.
Use a 2mm ball-end driver to fasten the screws.
Position the end-stop housing about 2mm below the end of the extrusion.

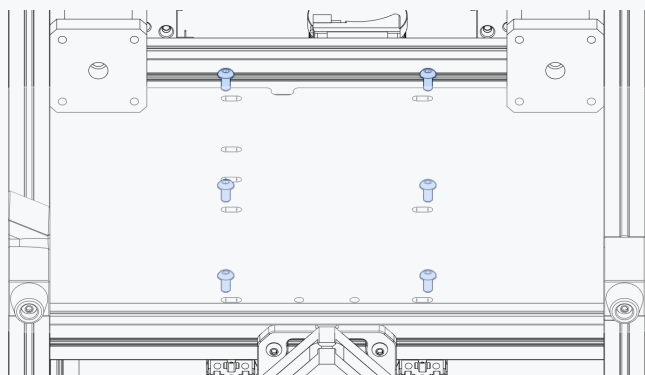


FLIP PRINTER

Aligning the preloaded nuts into position is easier if you don't have to fight gravity.

REAR PANEL

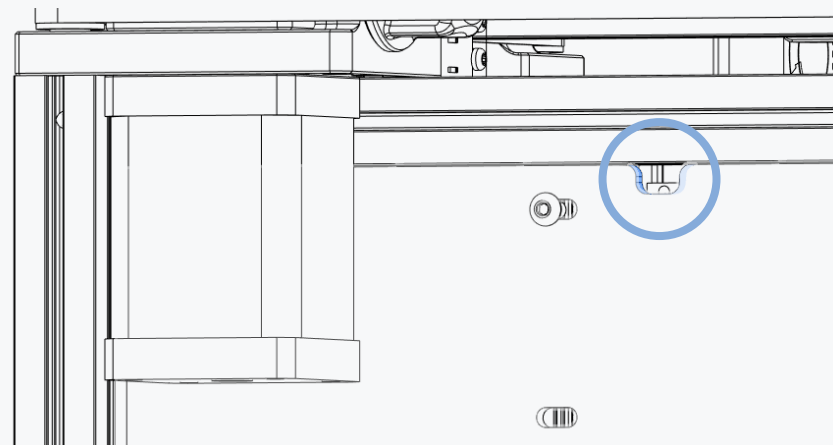
WWW.VORONDESIGN.COM



M3x6 BHCS

NOTCH FOR Z END-STOP WIRES

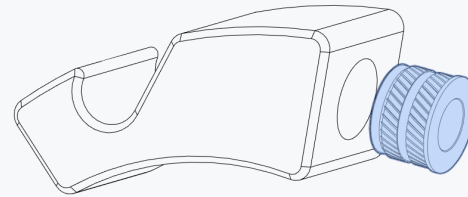
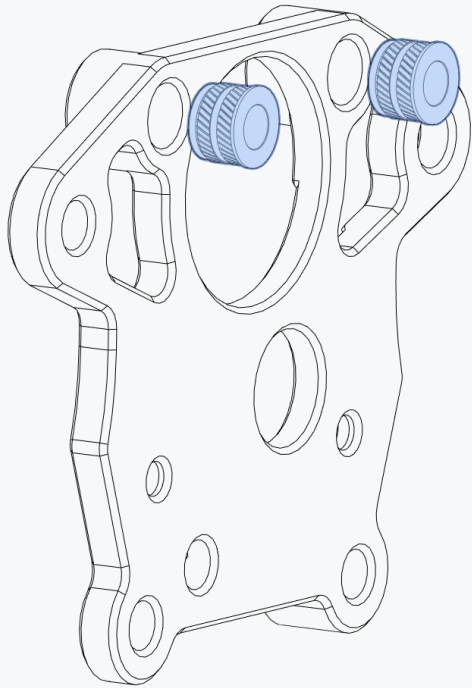
Pull the end-stop wires through the opening in the panel.



PRINT HEAD

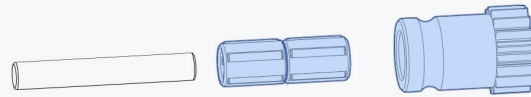
WWW.VORONDESIGN.COM





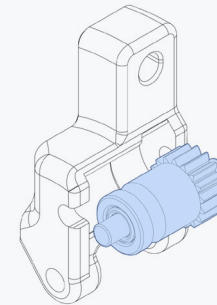
Heat Set Insert

BMG Idler Assembly

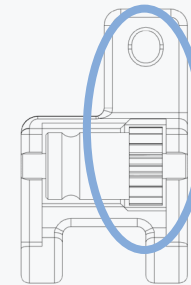
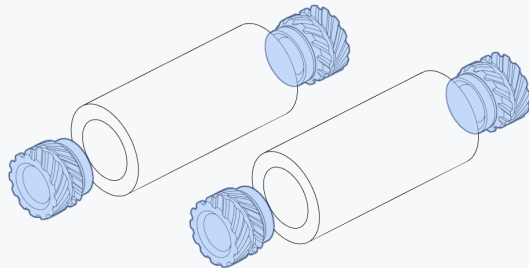


LUBRICATE BEARINGS

A lubrication film is required to ensure smooth operation and longevity. Refer to the BOM for lubricant options.



Heat Set Inserts

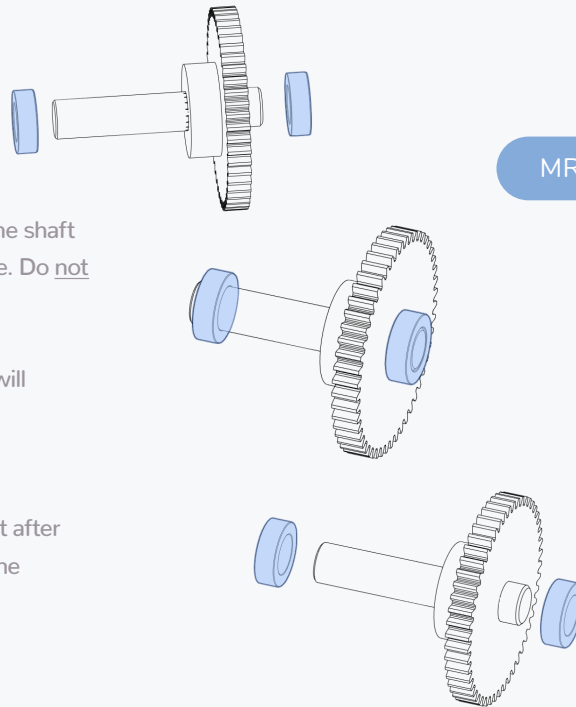
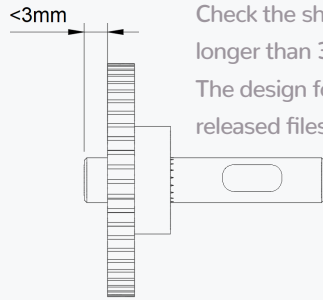


CHECK ORIENTATION

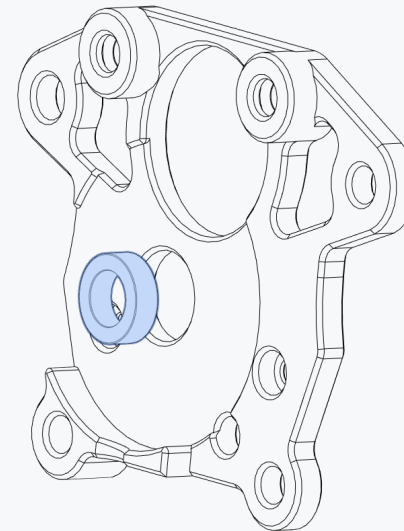
The larger gear section must be on the right hand side. Check for any rubbing or binding.

SHORT END OF THE SHAFT

Check the short end of the shaft. If it is longer than 3mm shorten it to under 3mm. The design for a printed jig is included in the released files.



MR85 Bearing

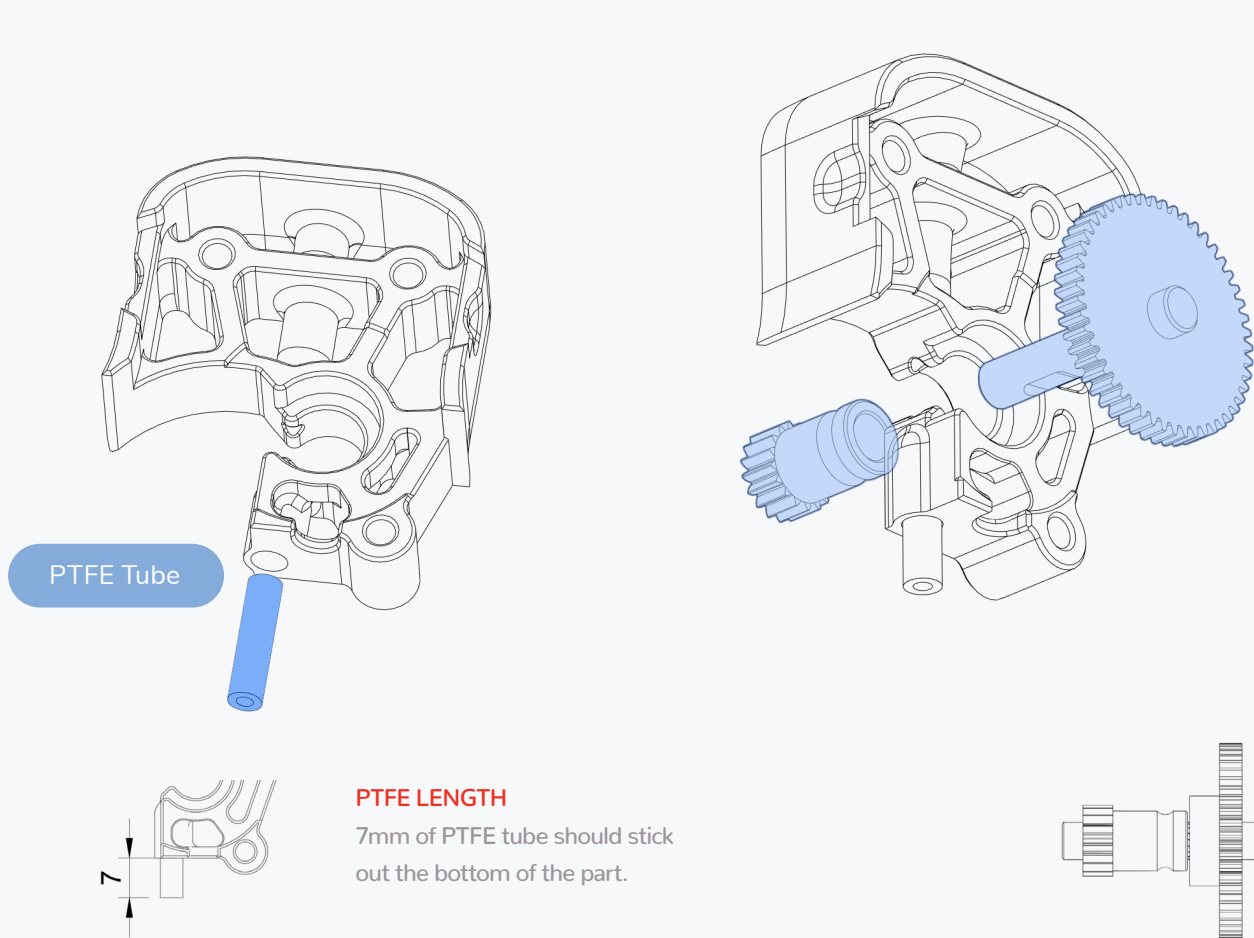


CHECK BEARING FIT

The bearings must slip on and off the shaft easily to allow the gear to self centre. Do not shim into position.

Pressing the bearings on the shaft will damage them.
Lightly sand the shaft if required.

Remove the bearings from the shaft after checking the fit and continue with the assembly.



PTFE Tube

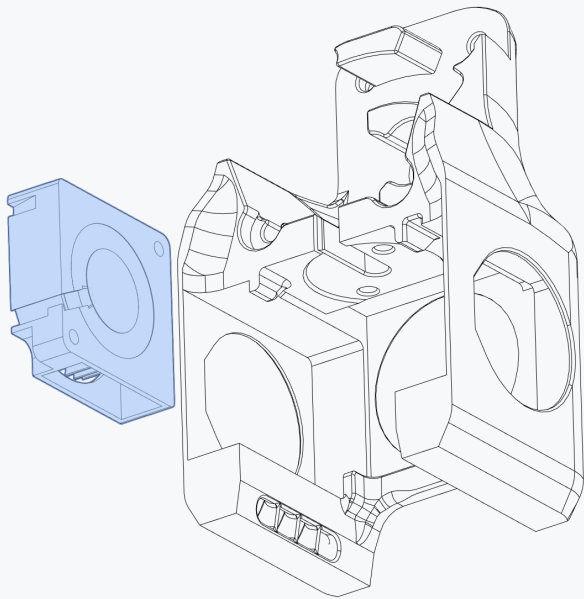
PTFE LENGTH

7mm of PTFE tube should stick out the bottom of the part.

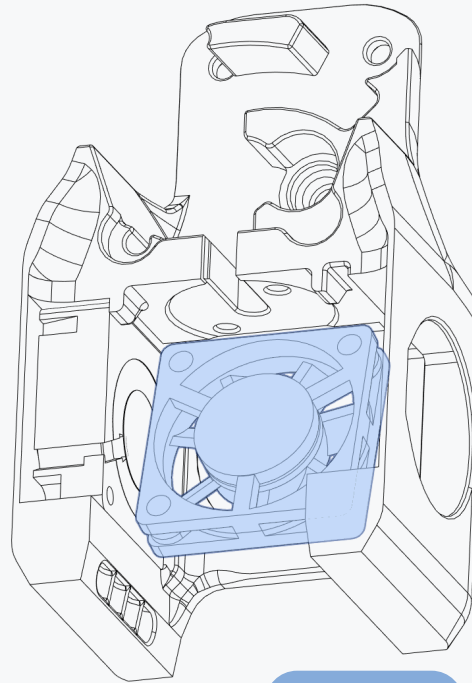
CHECK ORIENTATION

The drive gear is mounted opposite of how it is usually mounted in an extruder. Make sure that the grub screw has sufficient contact with the flat.

FANS



Blower Fan



Axial Fan

AIRFLOW DIRECTION

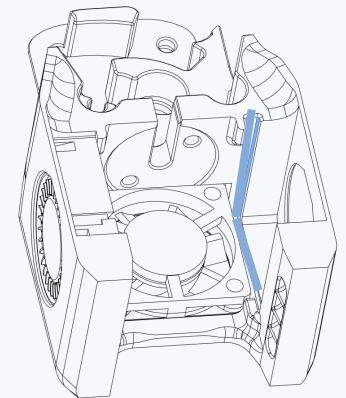
Orient the fan in such a way that the air is pushed into the cowling. You'll find small arrows on the fan indicating the air flow direction.

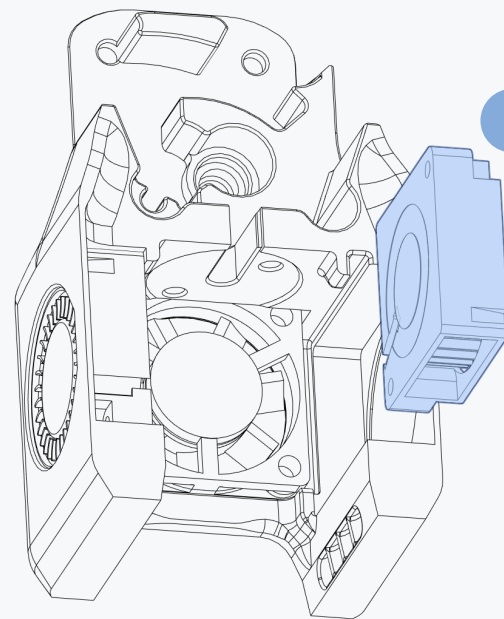
INSERT AT AN ANGLE

Angle the fan and clip in place.

WIRING PATH

Orient the fan in such a way that you can guide the wires in the highlighted path.

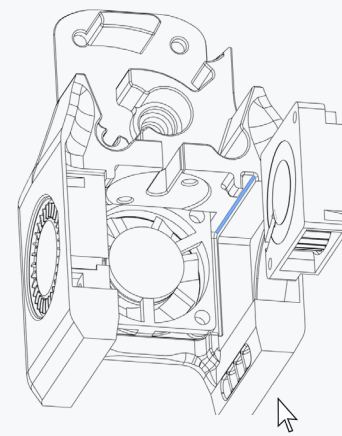


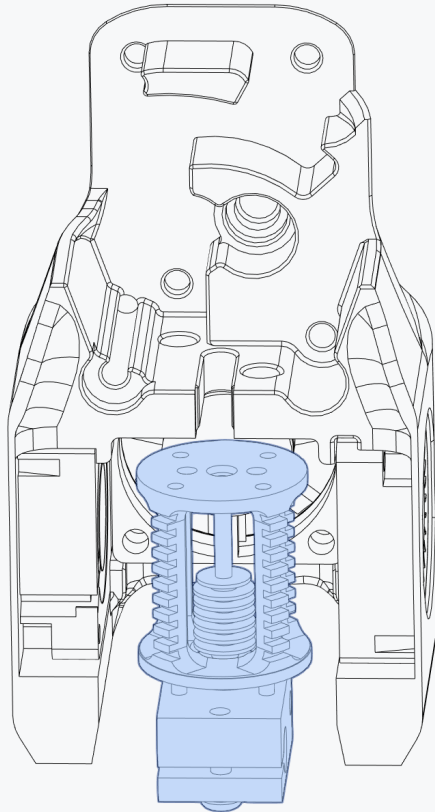


Blower Fan

WIRING PATH

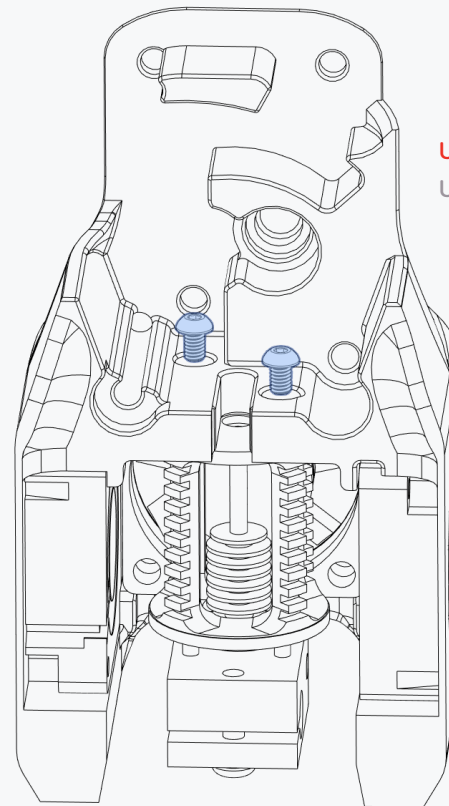
Guide the wires in the highlighted path.





HEATER AND SENSOR

We do not show the heater and temperature sensor cartridge in the drawing. Install them prior to assembling the toolhead.



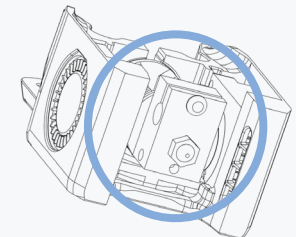
USE A BALL-END DRIVER

Use a ball-end driver to fasten the left screw.

M2.5x6 BHCS

CHECK ORIENTATION

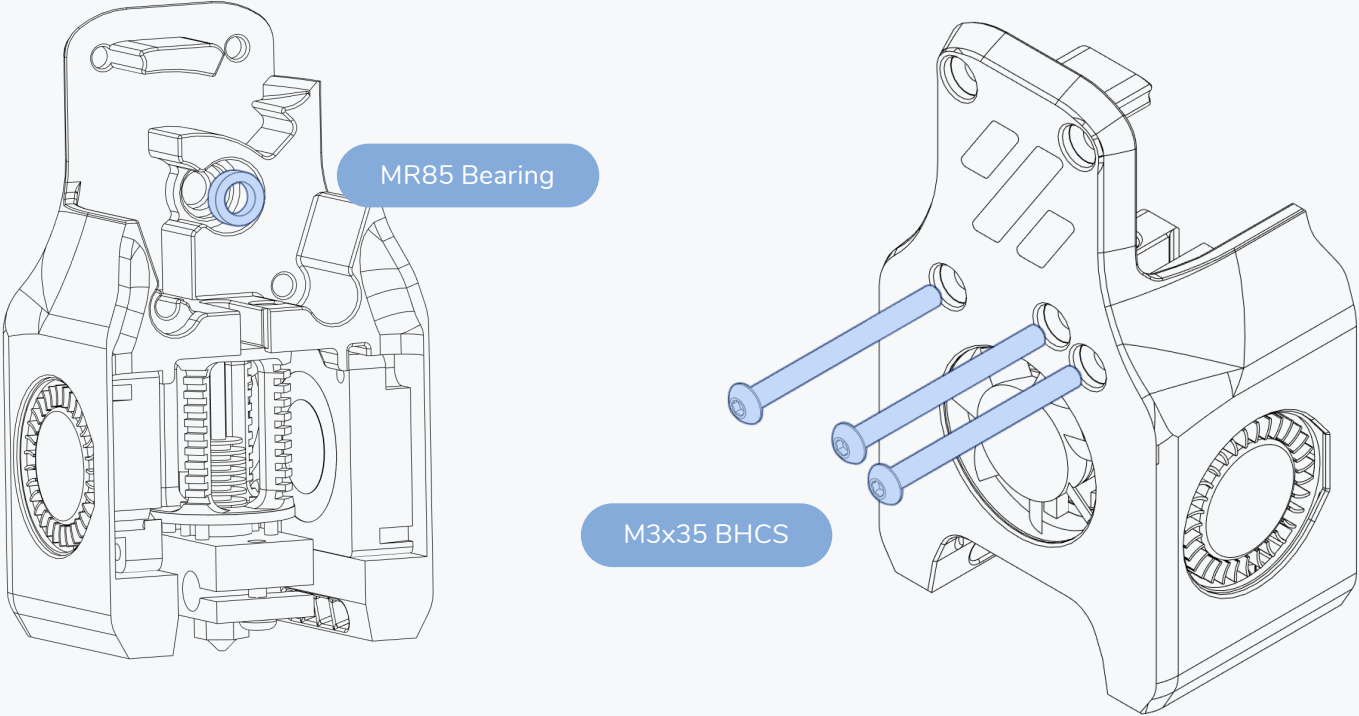
The heater block must point backwards.



OTHER HOTENDS?

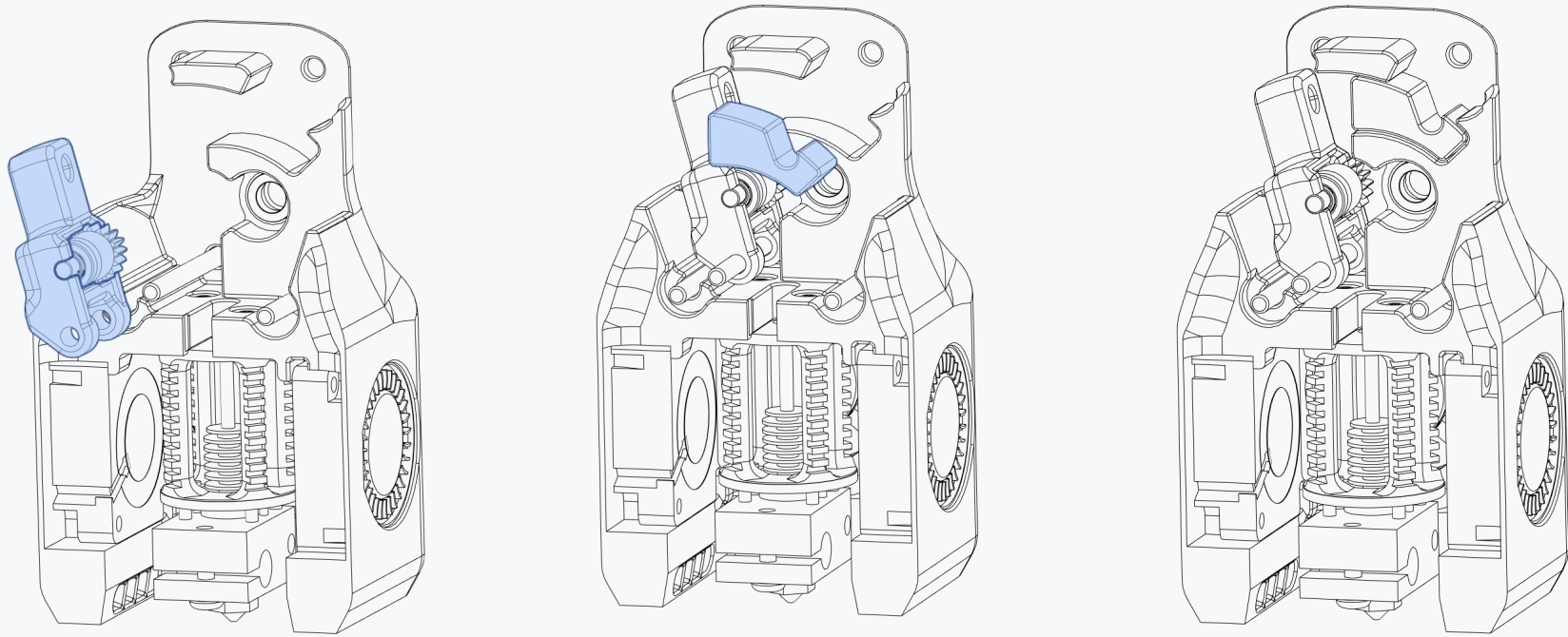
We are showing the assembly steps using a Dragon hotend.

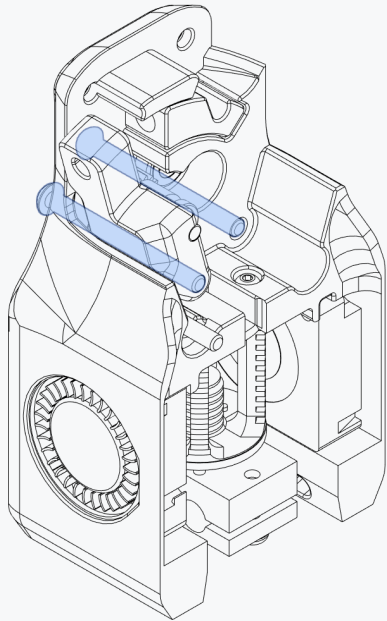
Toolheads for other hotends are included in the released files and assembled in a similar manner.



DIRECT FEED EXTRUDER

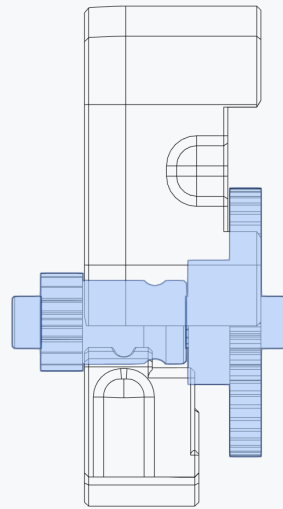
WWW.VORONDESIGN.COM





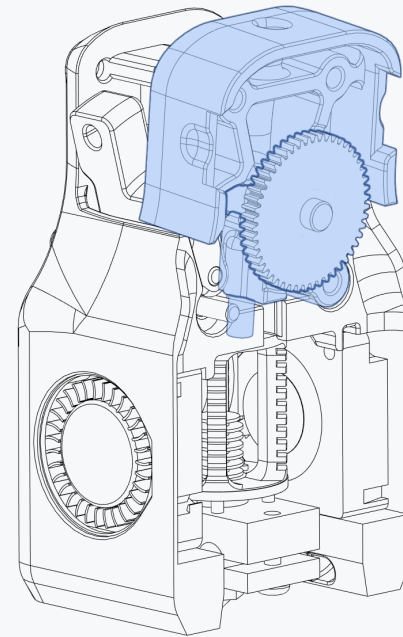
MOVE SCREWS FORWARD

Push the screws forward until they sit flush with the printer part.



PUSH DRIVE GEAR BACKWARDS

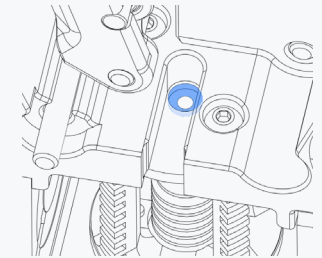
Push the drive gear all the way to the back to help screws forward until they sit flush with the printer part.

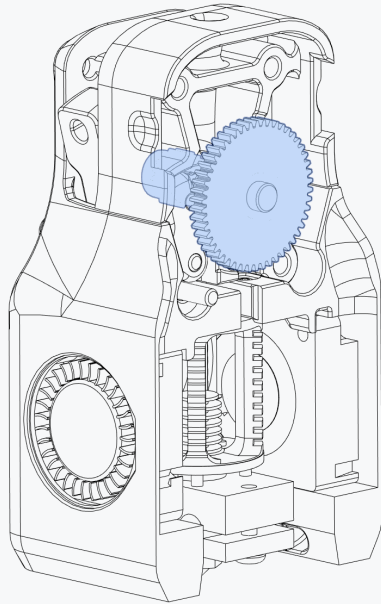


INSERT AT ANGLE AND PUSH INTO PLACE

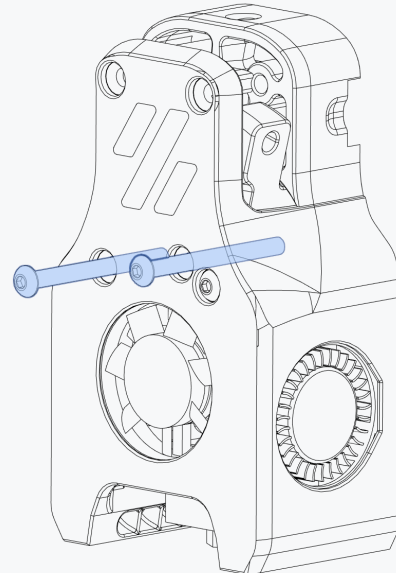
Tilt the part slightly backwards.

The part will clip into place with the drive shaft sitting in line with the front MR85 bearing and the PTFE tube in the circular recess in the hotend.

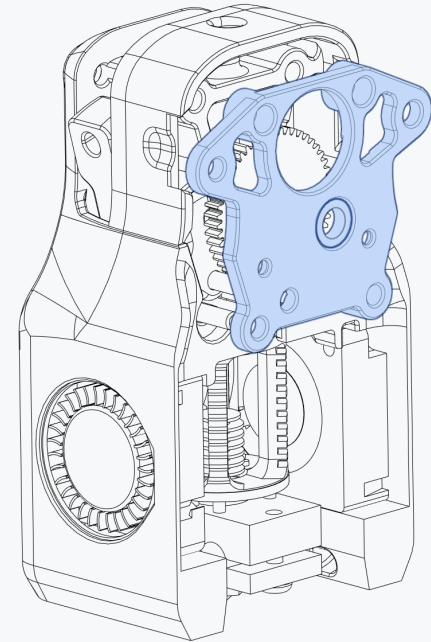


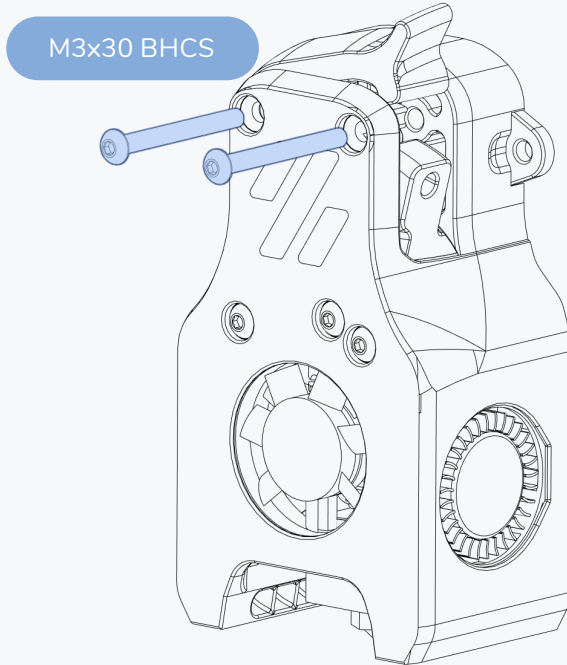
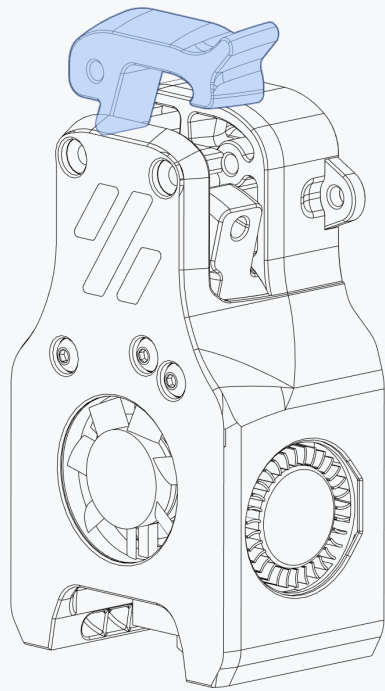


PUSH DRIVE GEAR FORWARD
Push the drive gear all the way to the front to seat it in the MR85 bearing.

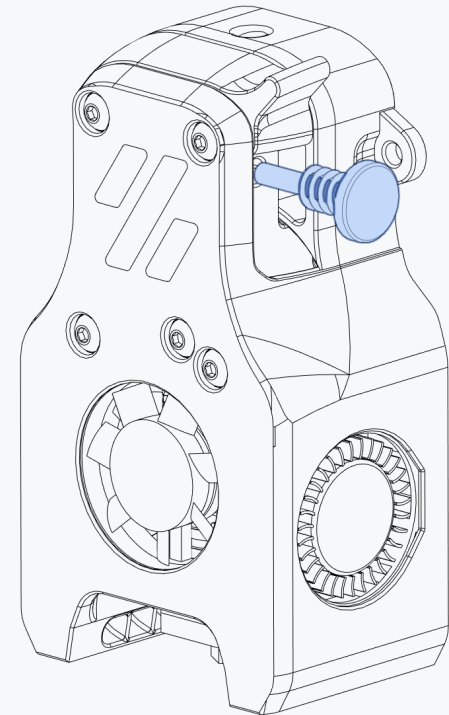


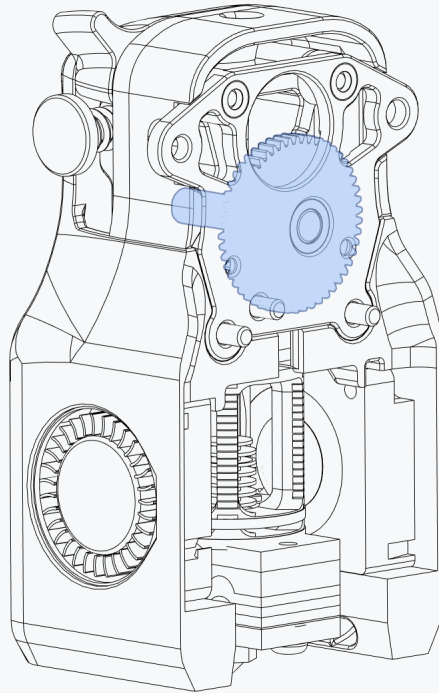
PUSH SCREWS BACK
Insert the screws all the way.





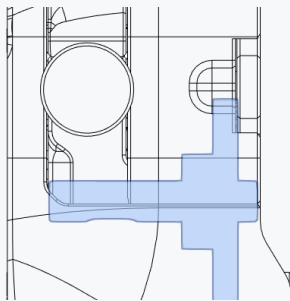
BMG Thumb Screw





CHECK FOR BINDING

Turn the drive gear and check if there is any binding or snags. Disassemble the toolhead and inspect if required.

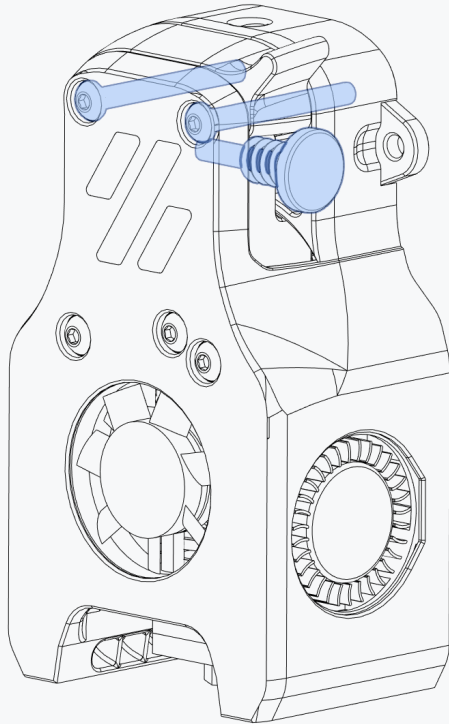


CHECK FOR CLEARANCE

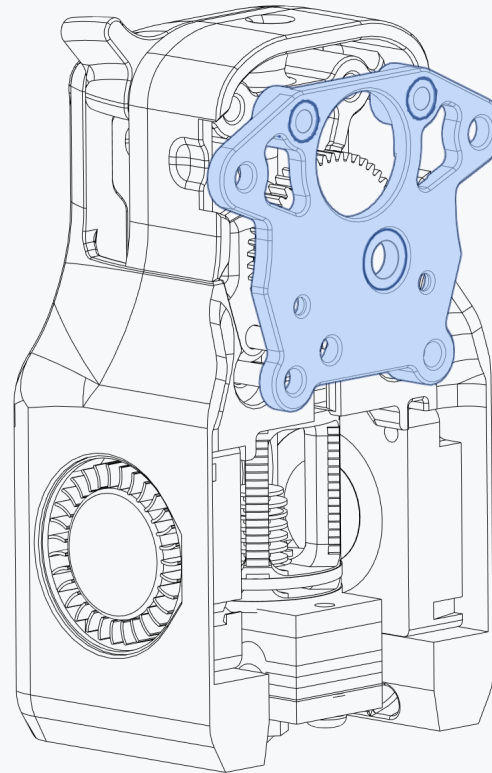
The drive shaft must not extend past the printed body as it would rub on the motor.

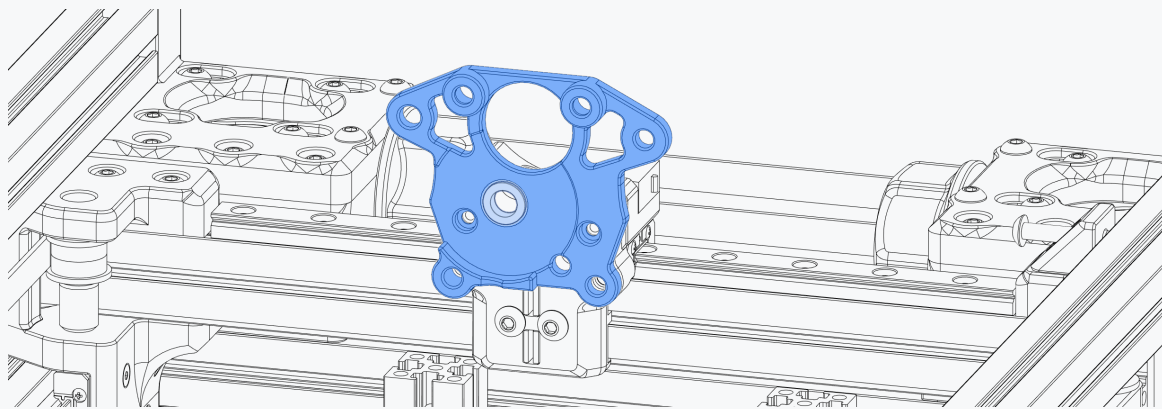
Check if the shaft has sufficient clearance when fully seated.

Sand the face of shaft if required.

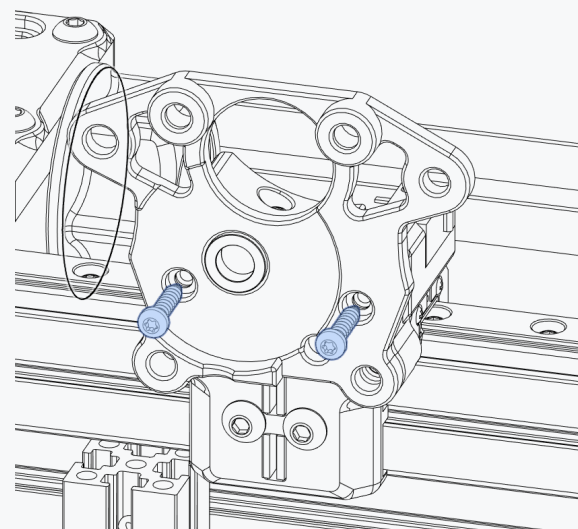


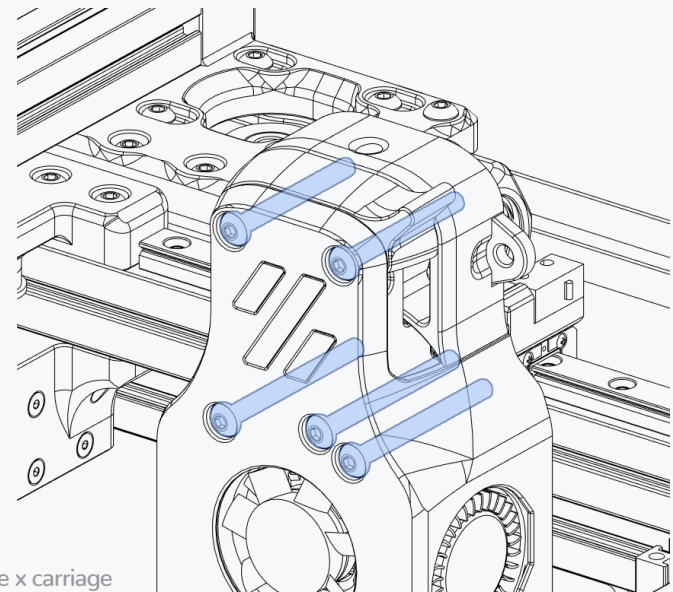
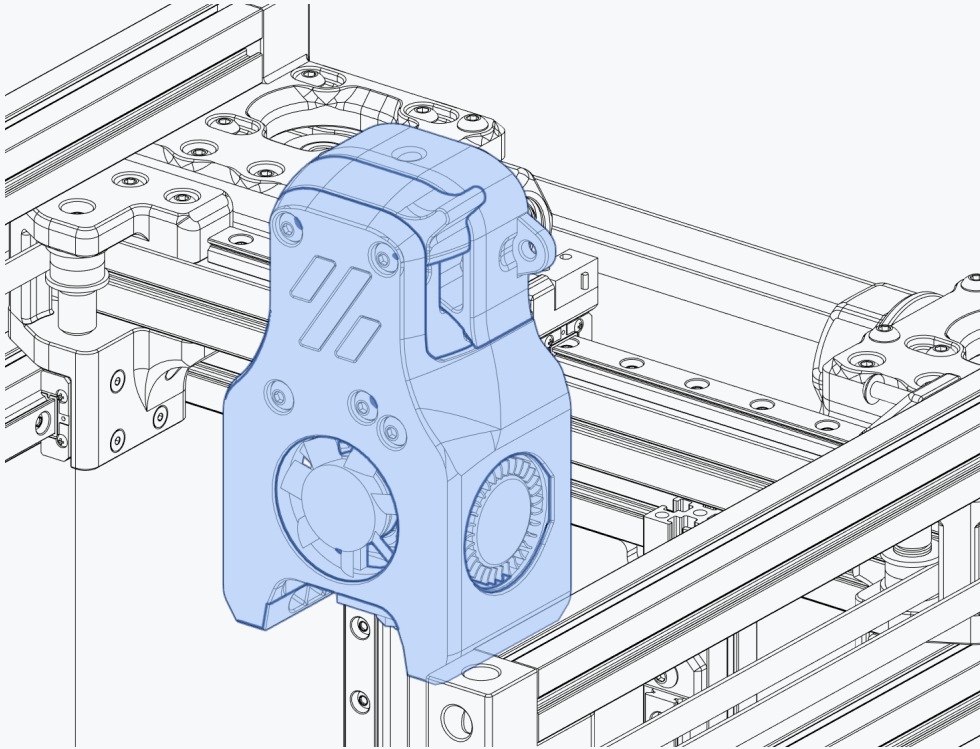
PARTIAL DISASSEMBLY
Remove the thumb screw.
Loosen the top screws and
remove the back plate.





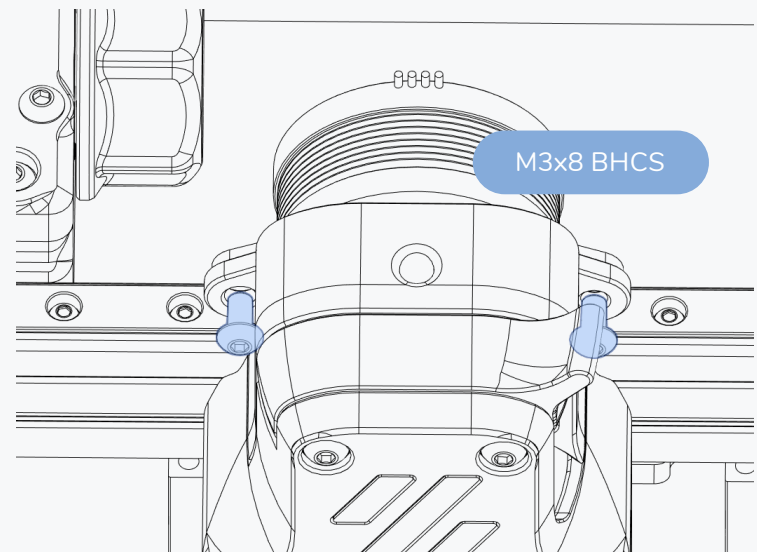
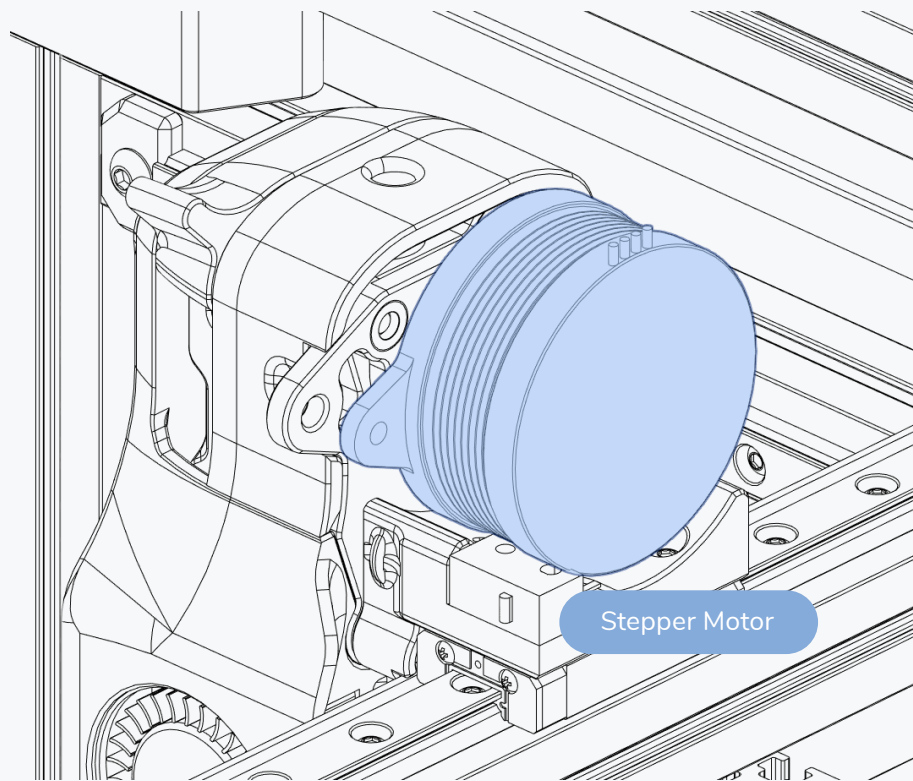
M2x10 Self Tapping

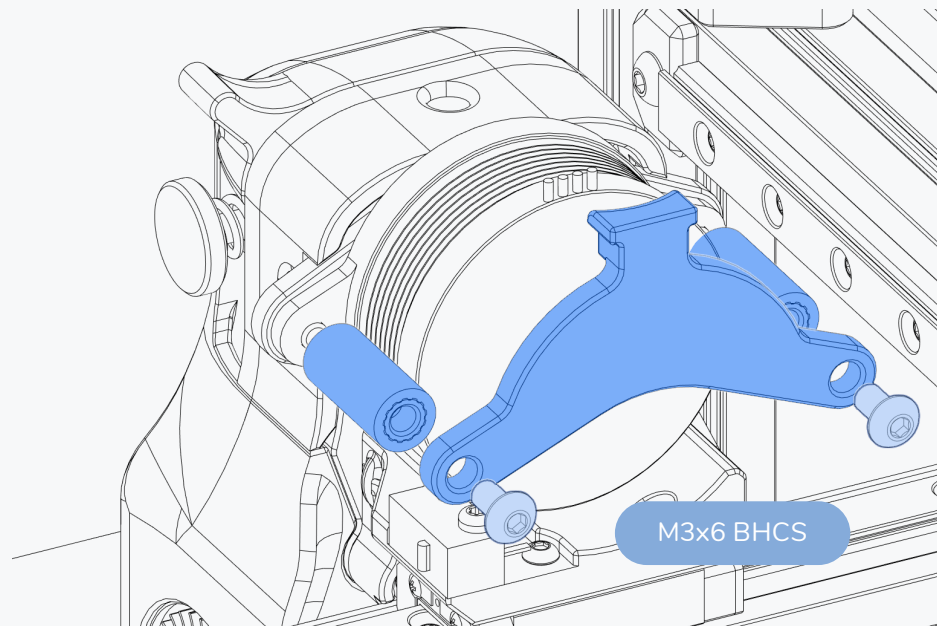
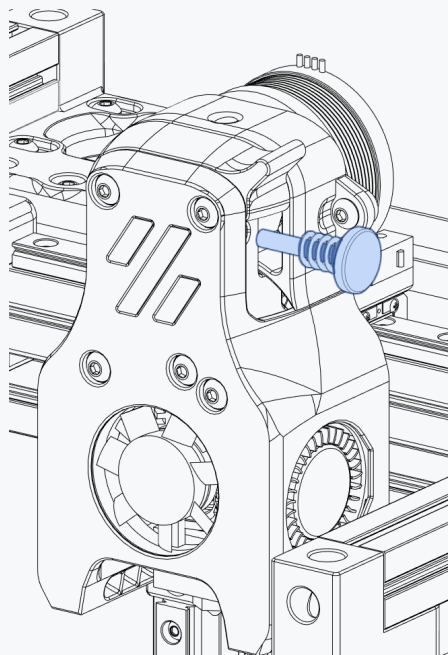


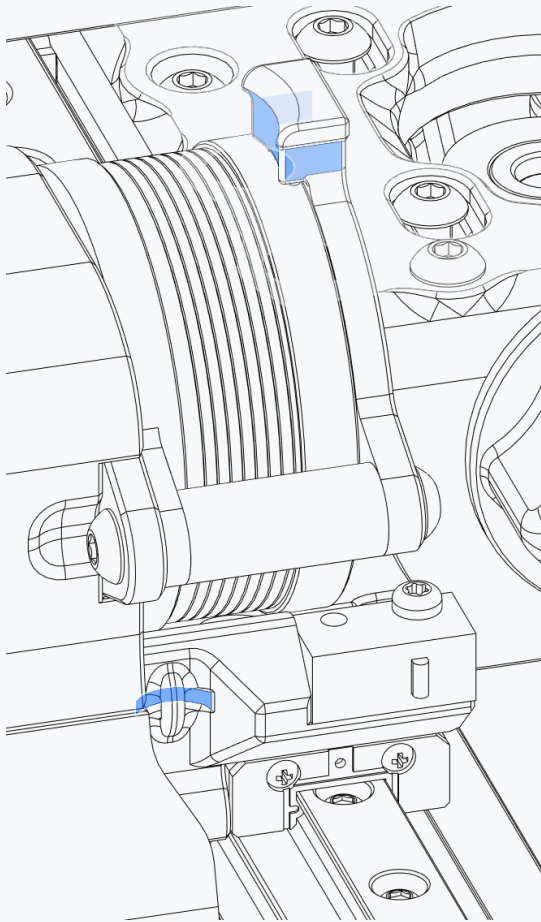


TIGHTEN SCREWS

Secure the print head to the x carriage by fastening the highlighted screws

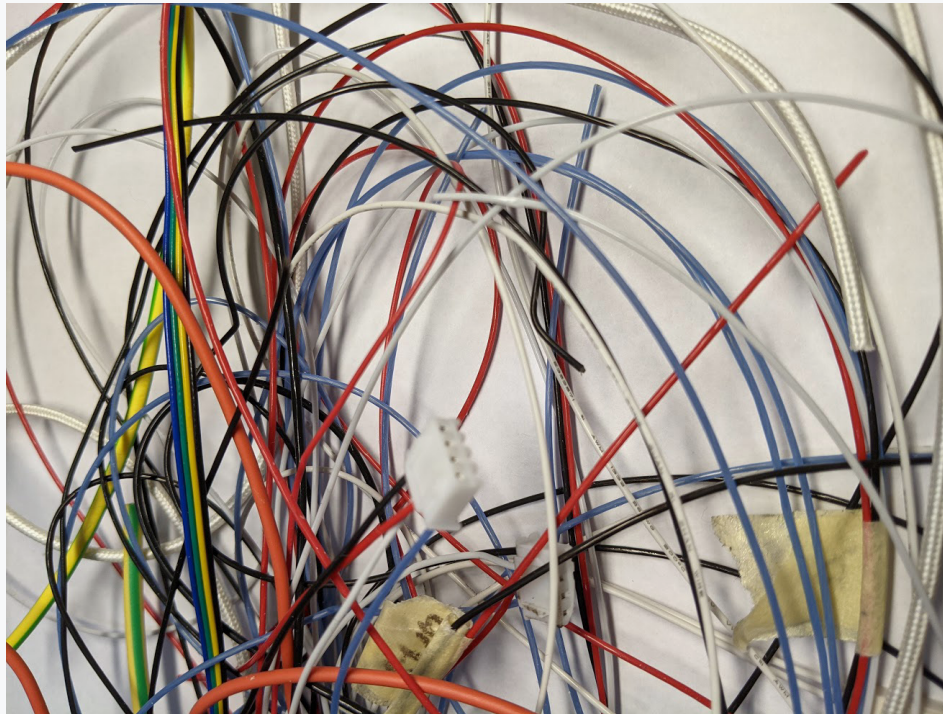


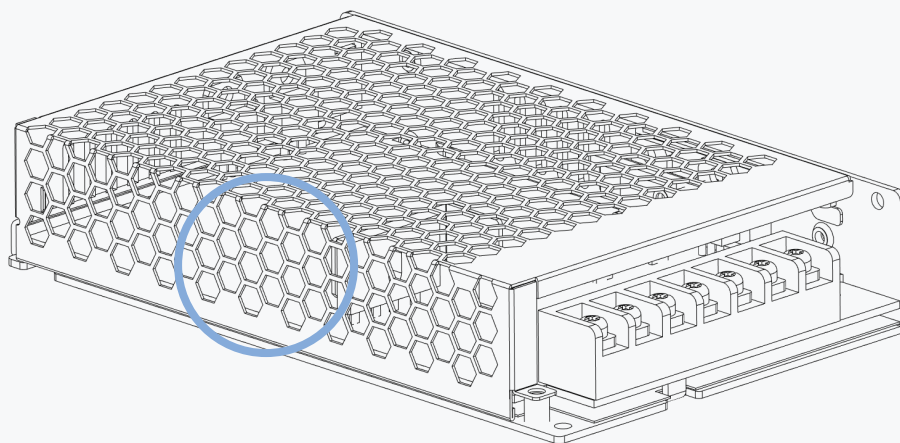




CABLE MANAGEMENT

There are loops for zip-ties on either side of the x carriage and a strain relief on the top.



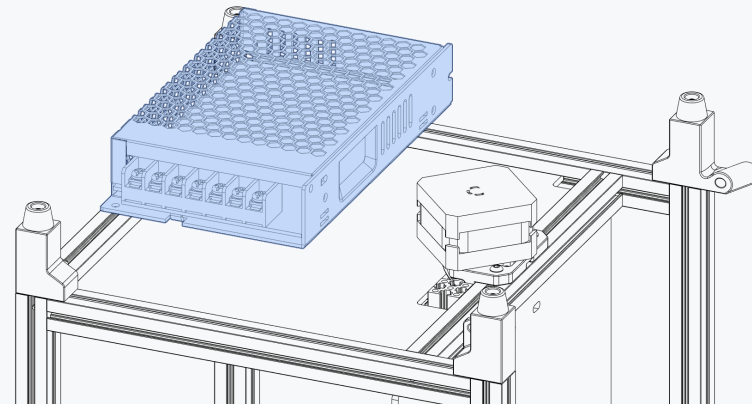
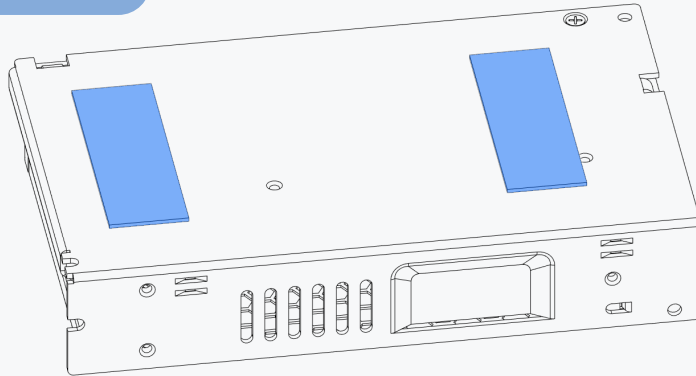


INPUT VOLTAGE SWITCH

Check the input voltage switch of the power supply. It is located in the highlighted area behind the metal mesh.

Make sure the selection matches your local mains voltage. Refer to the Mean Well LRS-150 datasheet for possible settings (<https://voron.link/ibwf2uu>).

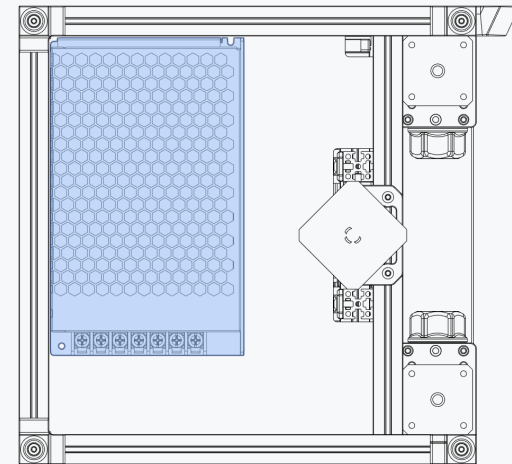
24V Power Supply

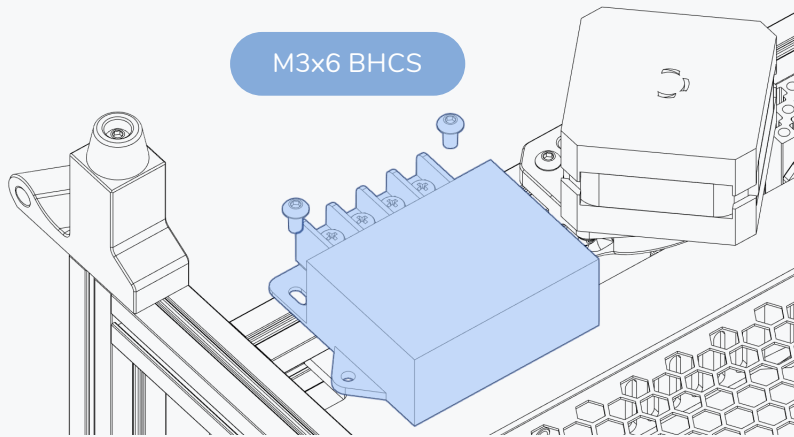
**APPLY VHB TAPE**

3M VHB tape is a double sided pressure sensitive adhesive tape. Other vendors have similar products that you can use as a substitute.

Support the deck panel with one hand and firmly press the power supply against the panel to achieve a strong bond.

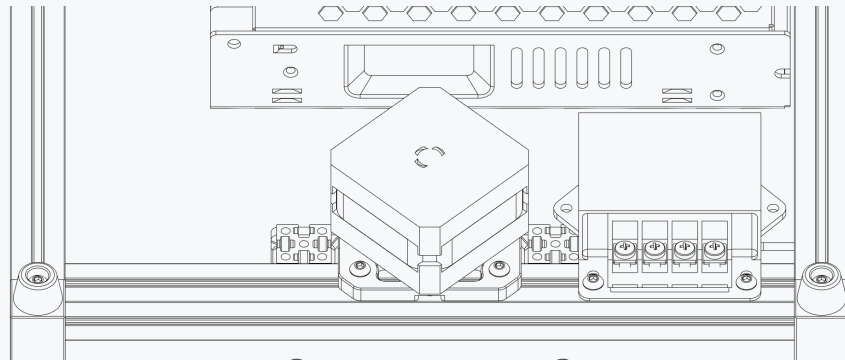
Should you distrust modern adhesives you can alternatively mount it by drilling 2 holes in the deck panel and securing it with 2 M3x6 BHCS. Refer to the LRS150 datasheet (<https://voron.link/ibwf2uu>).

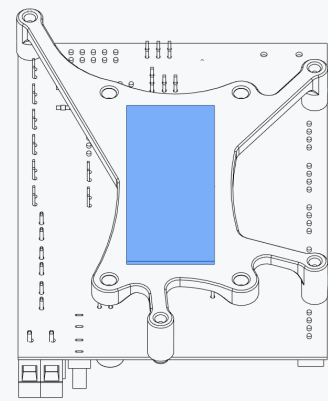
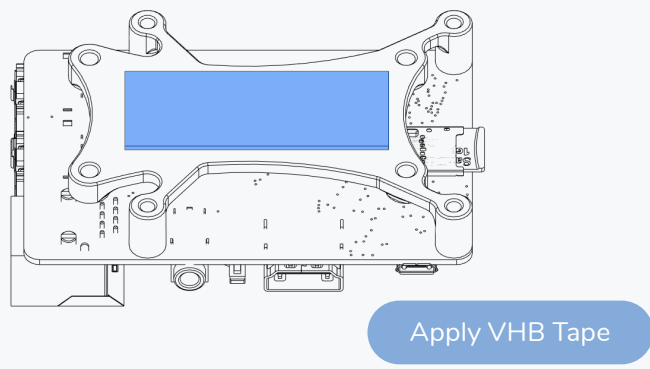
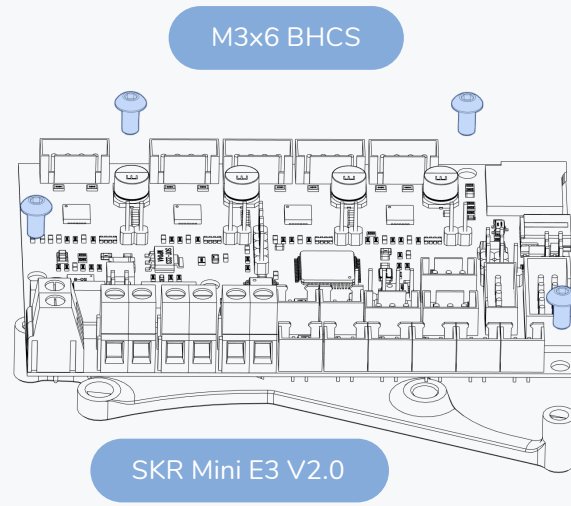
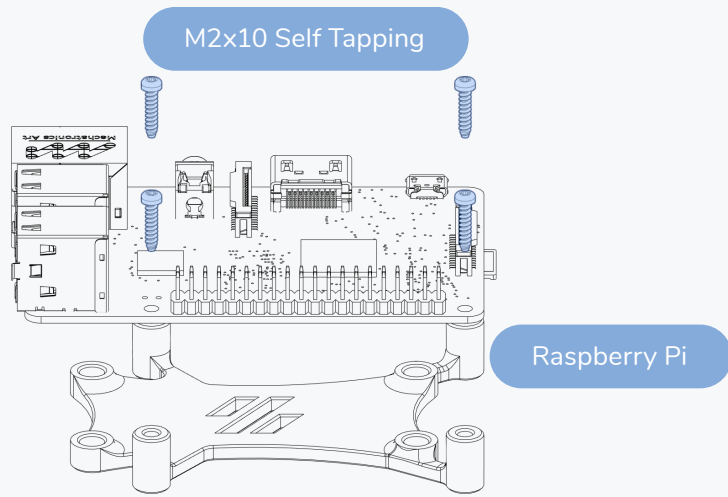


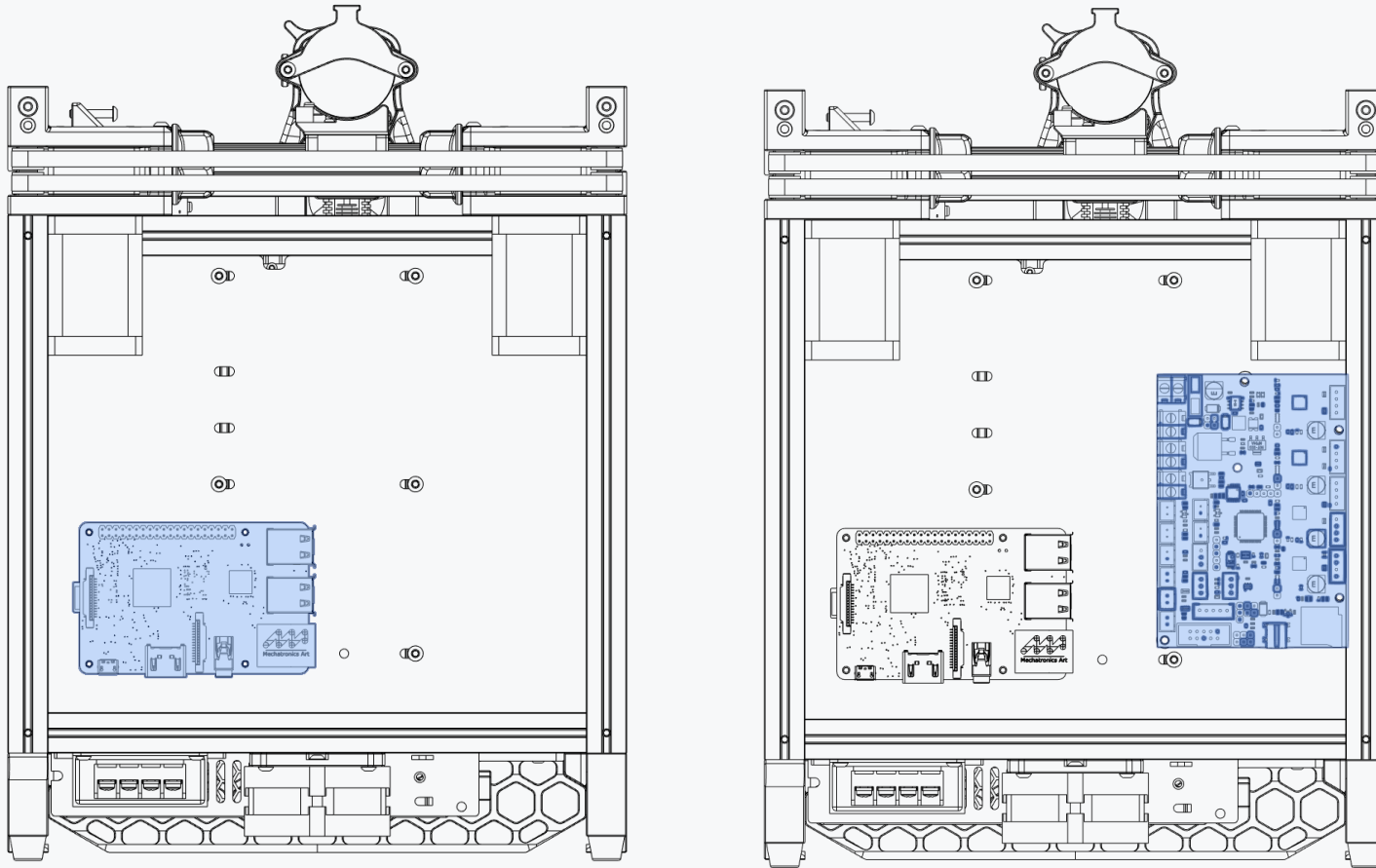


M3x6 BHCS

5V DC/DC Converter







ELECTRONICS PLACEMENT

Above is our suggested placement. If you modify the placement, make sure that you have access to all connectors and the SD Card of the Raspberry Pi.

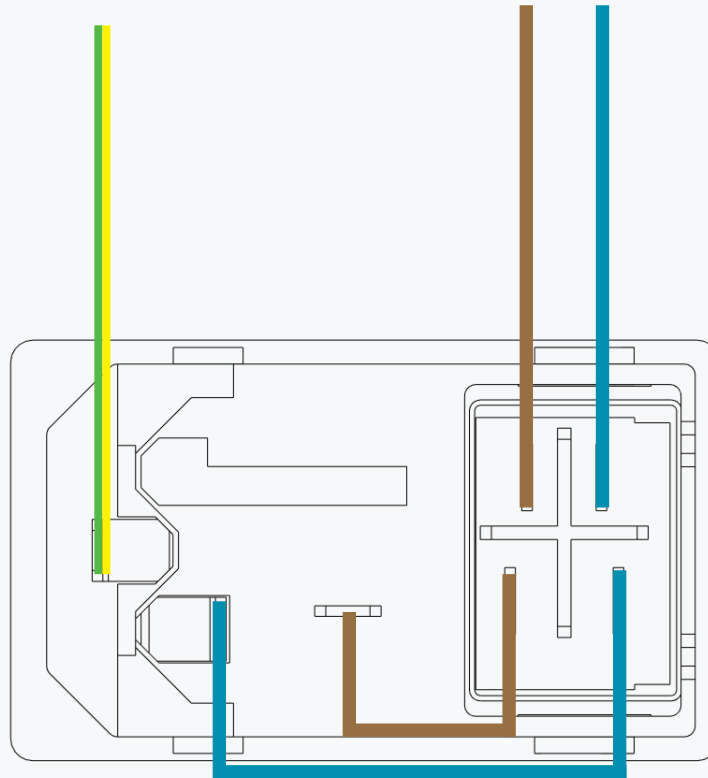
Carefully press the holders against the panel to get a good bond.

MAINS INLET WIRING

We show the wiring in the IEC colour scheme. Depending on your region the colour scheme and wiring standards will differ.

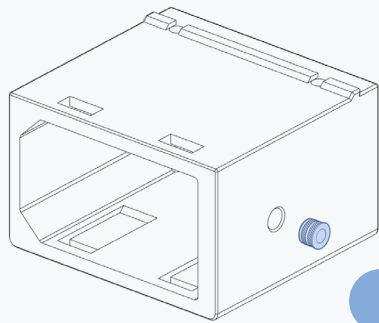
Mains wiring should only be done by qualified personnel trained in local regulations and safety standards.

Failure to observe those could result in bodily harm.

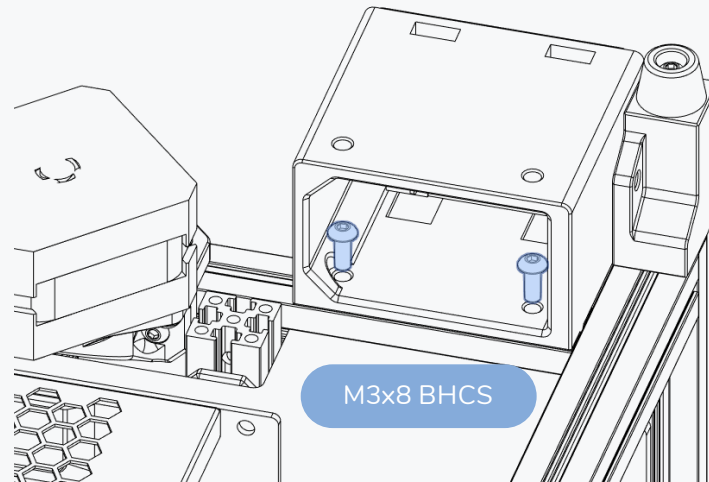


ATTACH 250MM OF WIRE

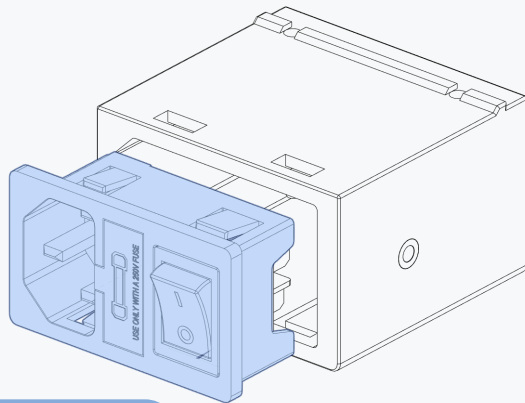
Cables should be at least 0.75mm² (AWG18) or thicker depending on local regulations.



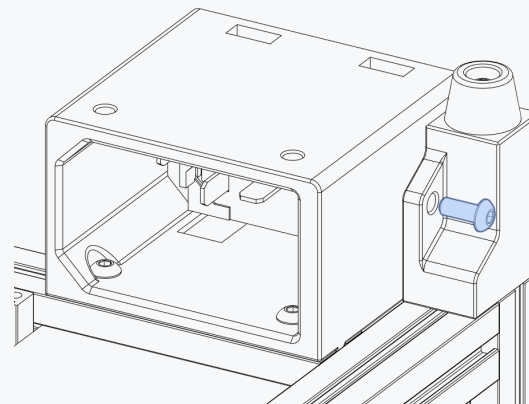
Heat Set Insert



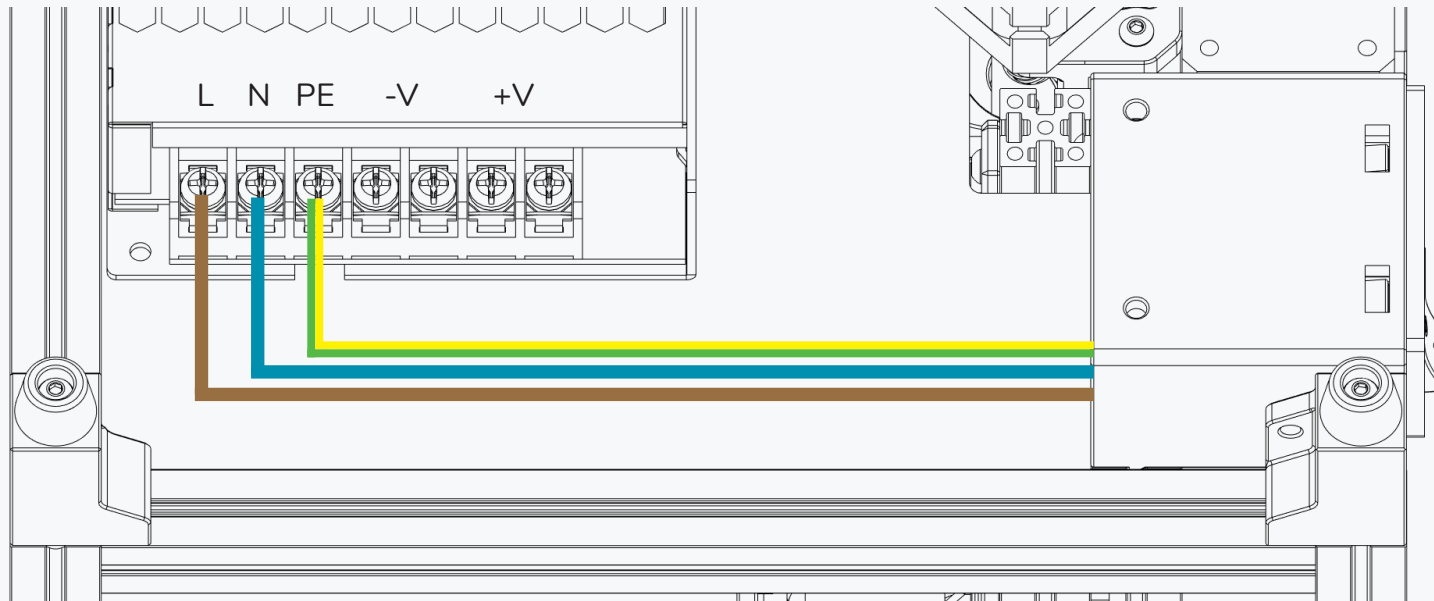
M3x8 BHCS



Prepared Mains Inlet



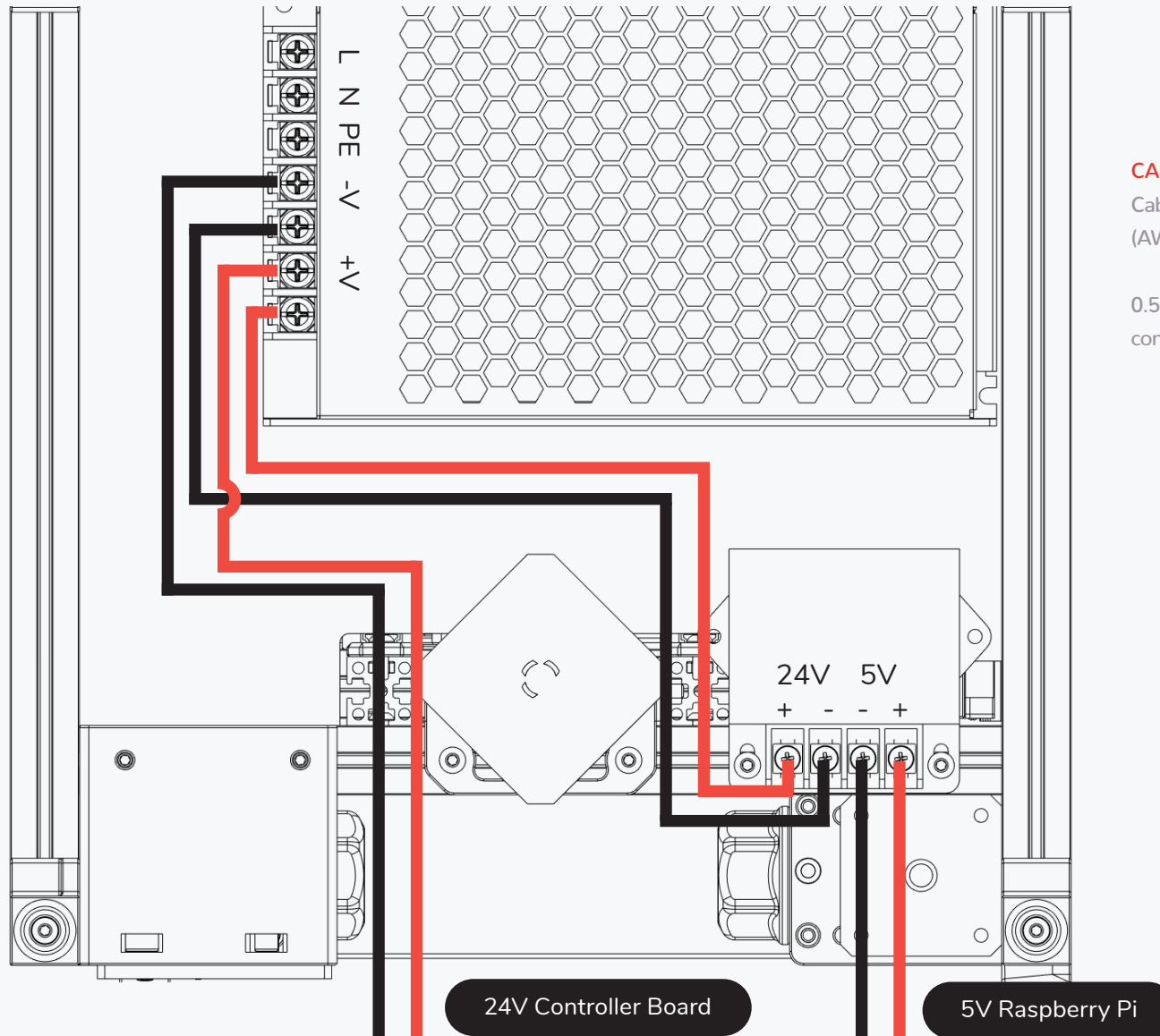
M3x8 BHCS



MAINS WIRING CONTINUED

This completes the mains wiring on a V0.1. A guard cover will be installed in a later step.
Secure the wires with cable clips / cable tie anchors.

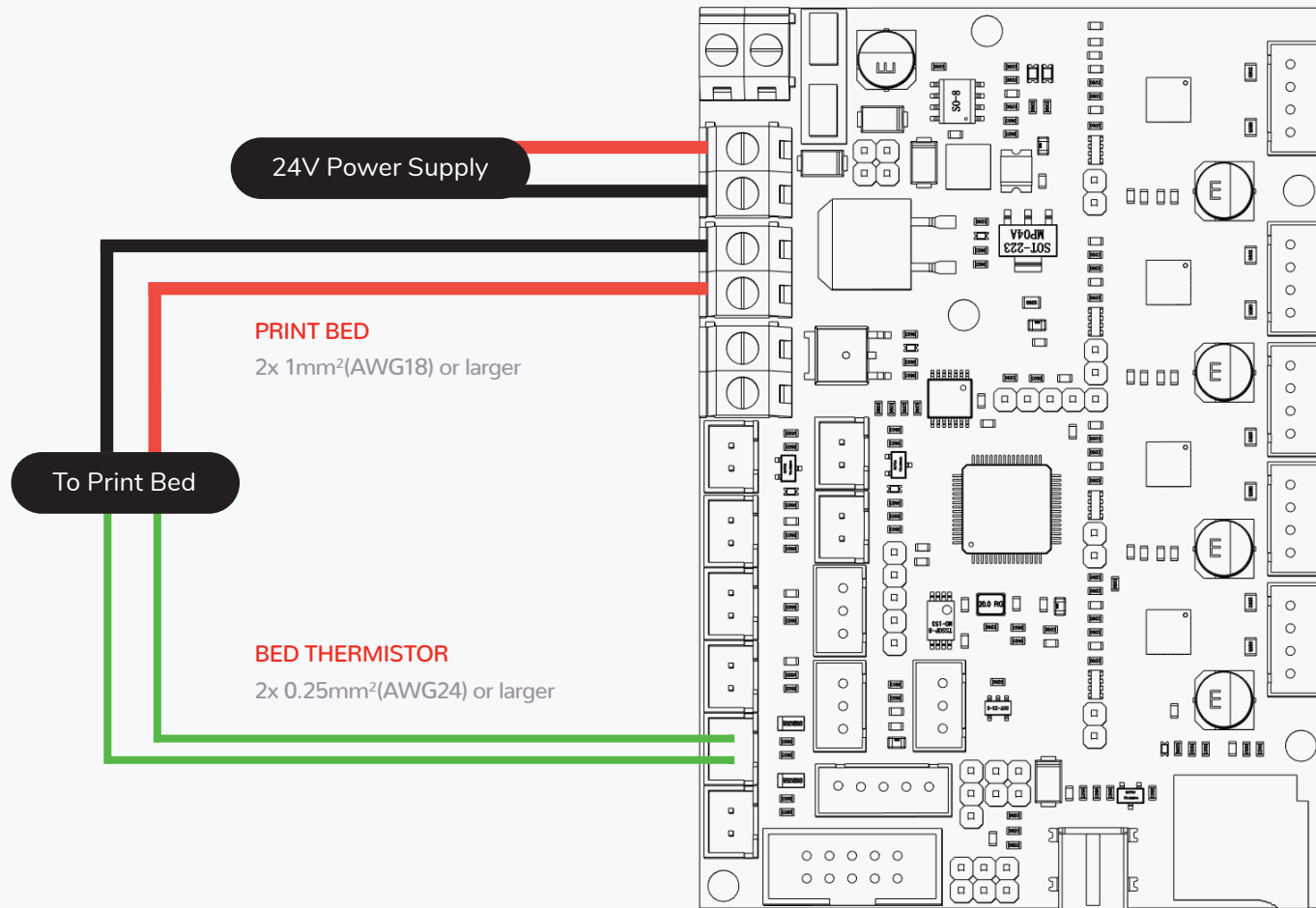
The bed heater is powered by DC voltage, grounding the print bed should not be required.
Observe your local regulations in regards to grounding the frame/other components.

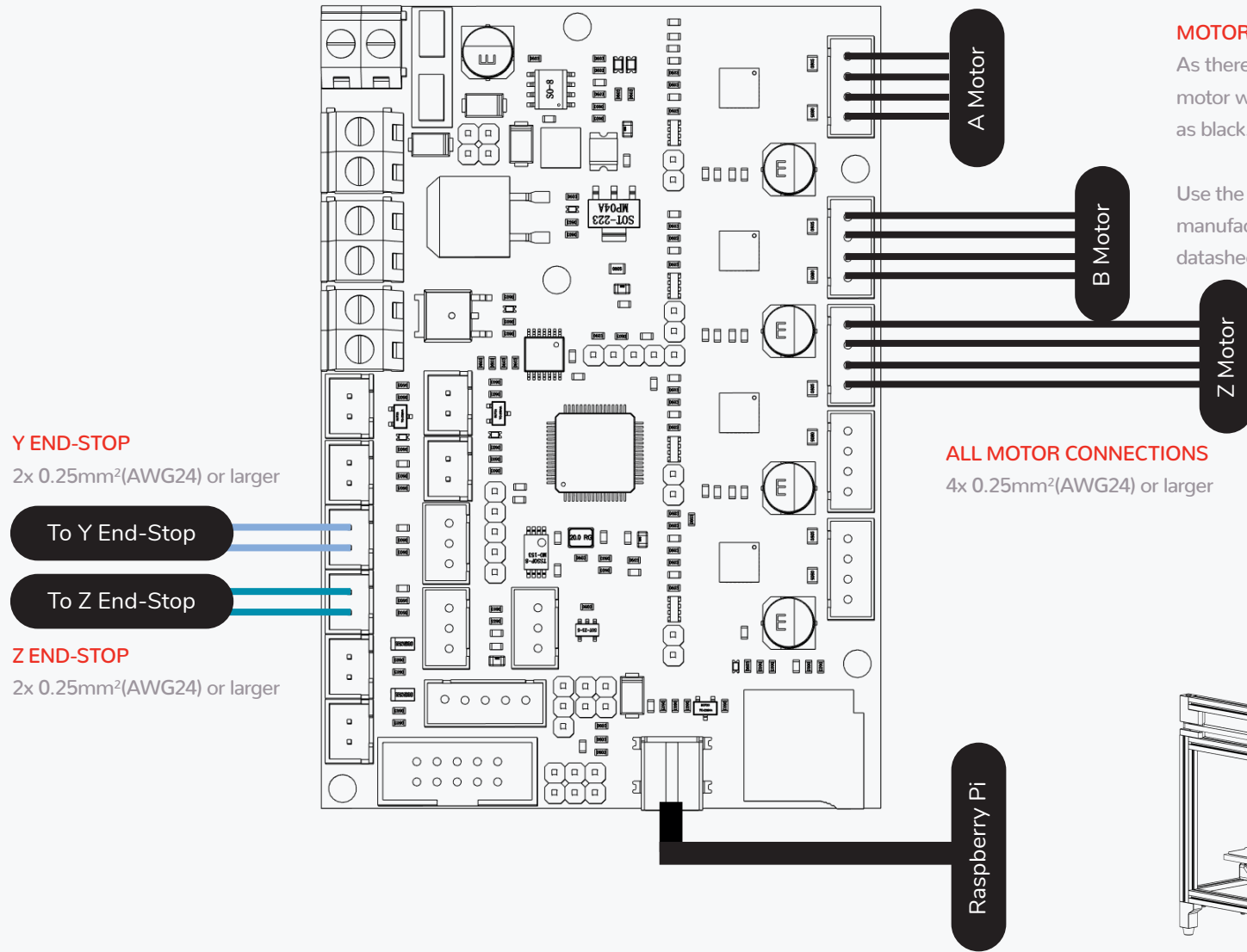


CABLE CROSS SECTION

Cables to the controller board should be 1mm² (AWG18) or larger.

0.5mm² (AWG20) is sufficient for the connection to the Raspberry Pi.





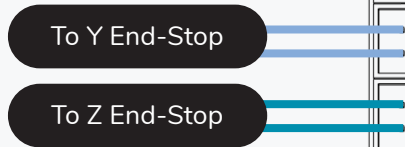
MOTOR CONNECTIONS

As there is no universal standard for stepper motor wire colours we decided to show all wires as black.

Use the same order as found on the manufacturers plugs. Consult the motors datasheet if needed.

Y END-STOP

2x 0.25mm²(AWG24) or larger

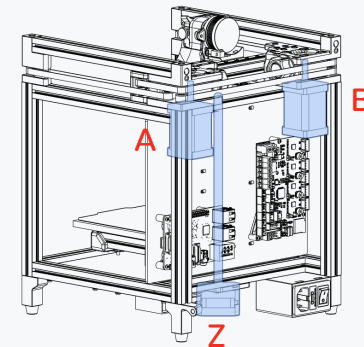


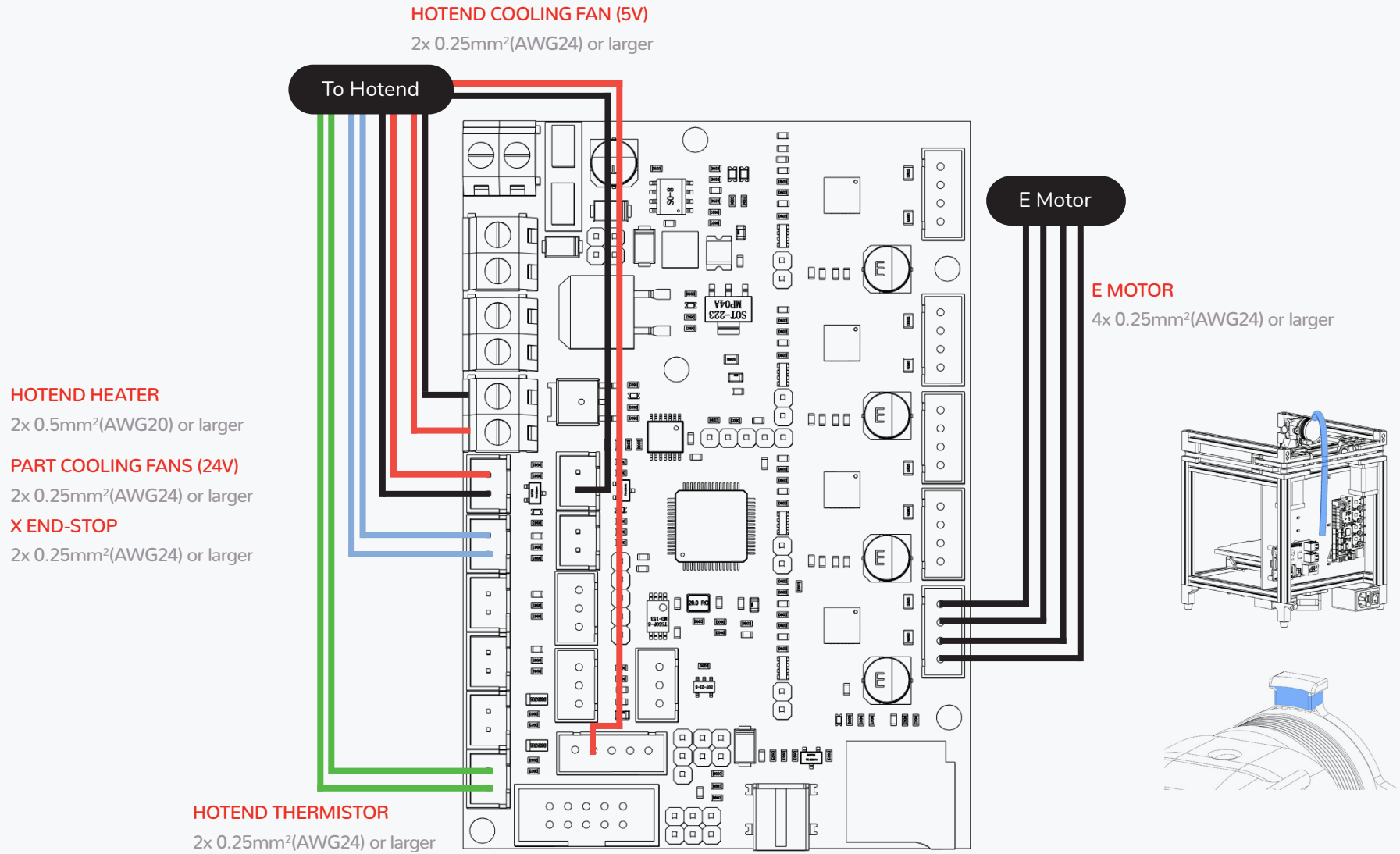
Z END-STOP

2x 0.25mm²(AWG24) or larger

ALL MOTOR CONNECTIONS

4x 0.25mm²(AWG24) or larger





ELECTRONICS & WIRING

Z END-STOP

2x 0.25mm²(AWG24) or larger

Y END-STOP

2x 0.25mm²(AWG24) or larger

PRINT BED

2x 1mm²(AWG18) or larger

24V Power Supply

HOTEND HEATER

2x 0.5mm²(AWG20) or larger

PART COOLING FANS (24V)

2x 0.25mm²(AWG24) or larger

X END-STOP

2x 0.25mm²(AWG24) or larger

HOTEND THERMISTOR

2x 0.25mm²(AWG24) or larger

HOTEND COOLING FAN (5V)

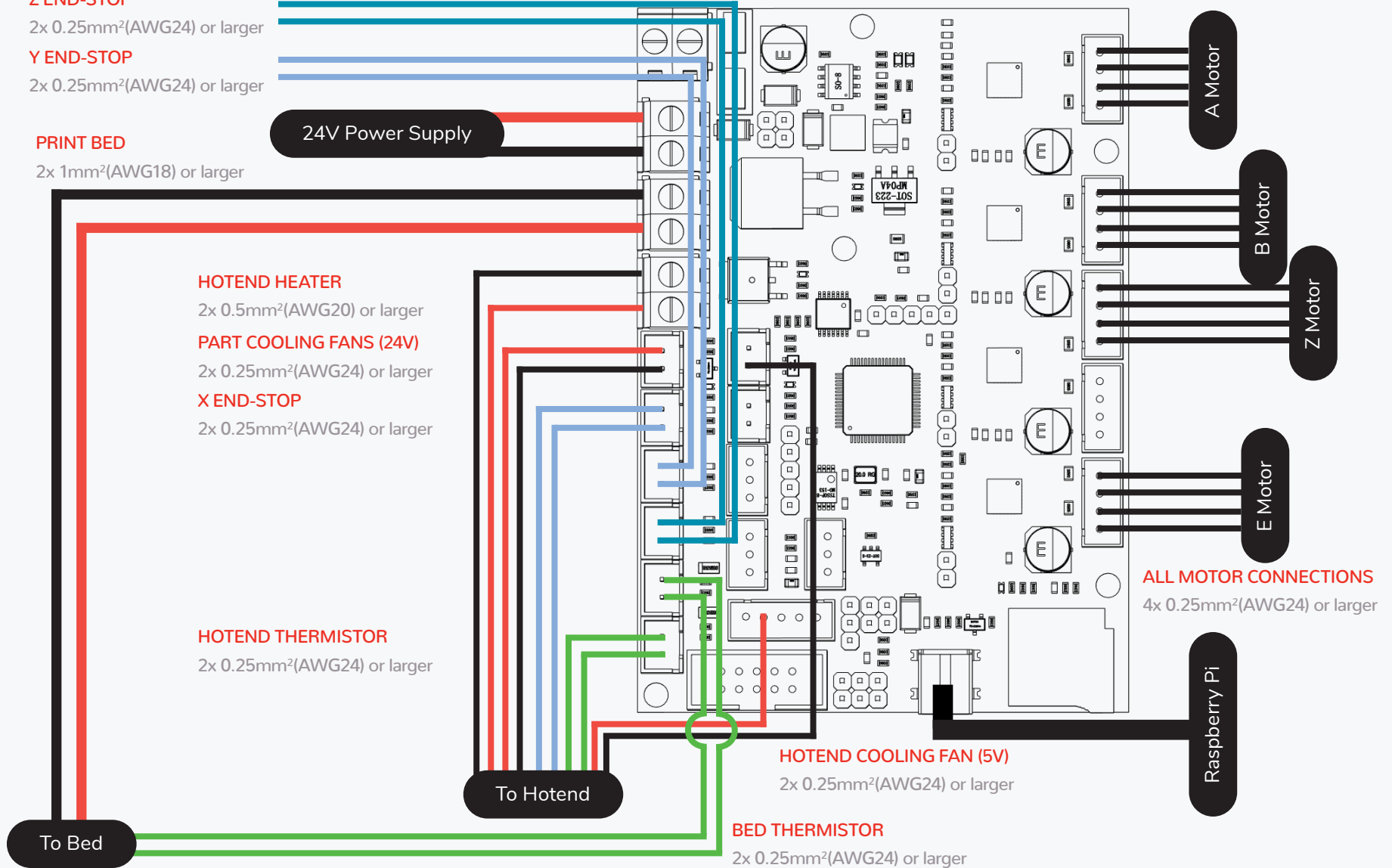
2x 0.25mm²(AWG24) or larger

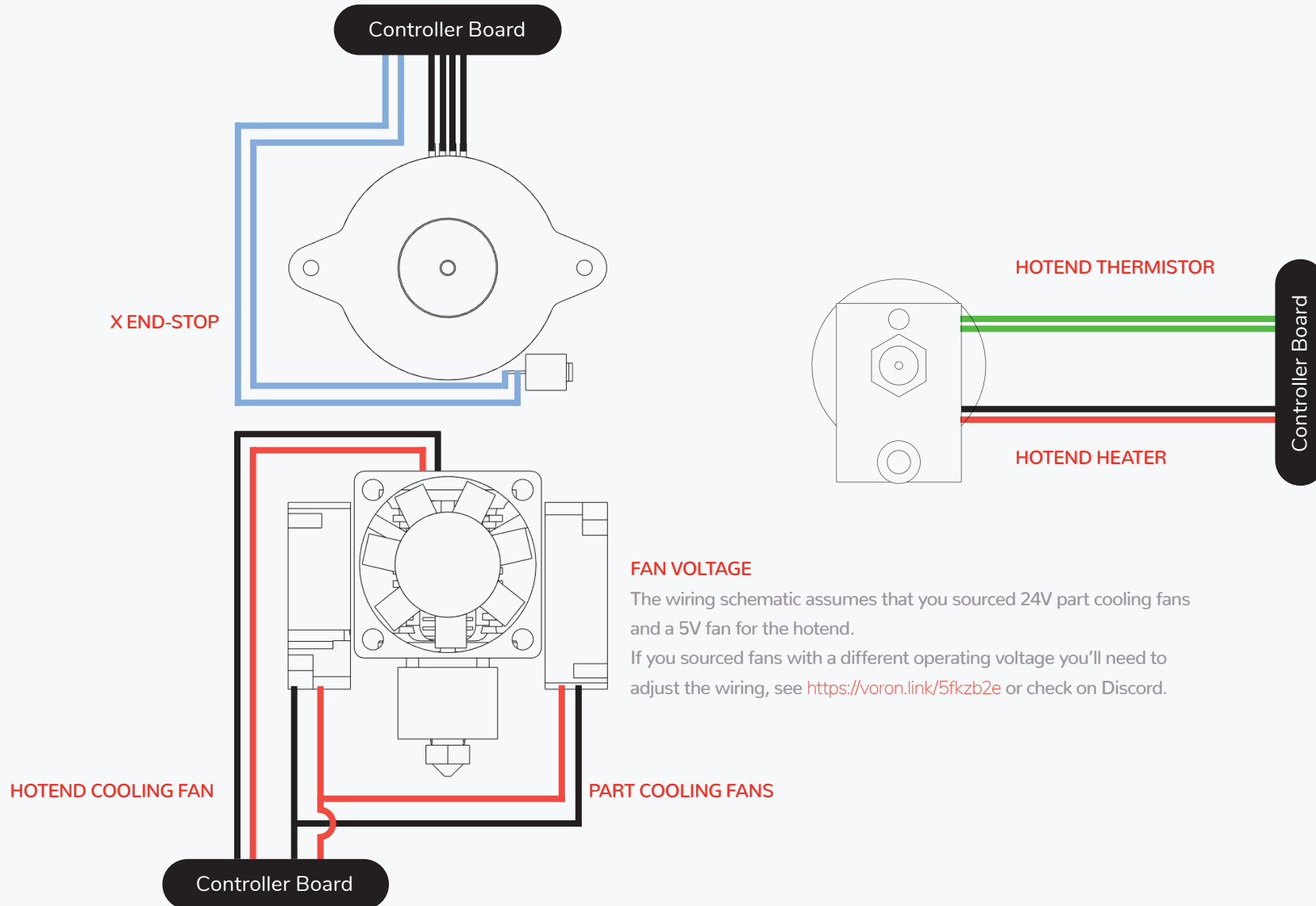
BED THERMISTOR

2x 0.25mm²(AWG24) or larger

ALL MOTOR CONNECTIONS

4x 0.25mm²(AWG24) or larger





FAN VOLTAGE

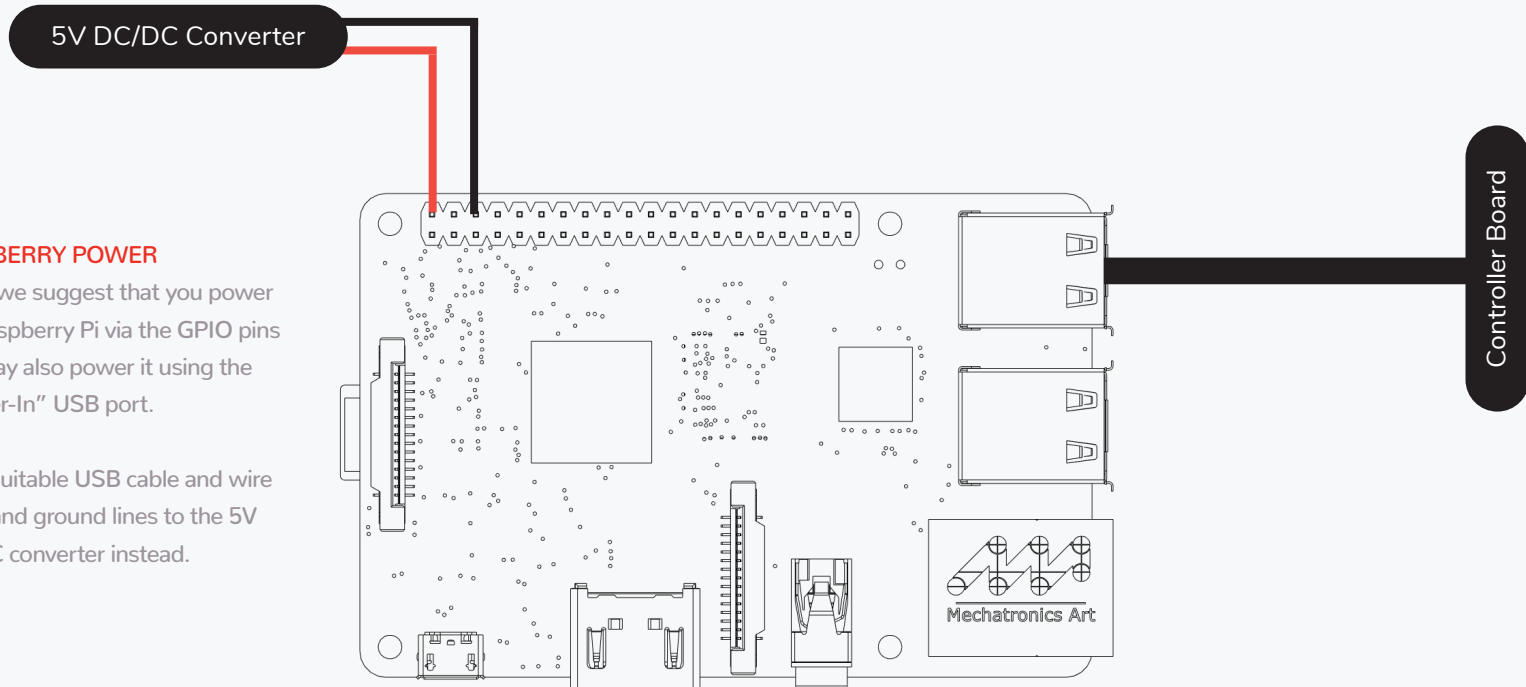
The wiring schematic assumes that you sourced 24V part cooling fans and a 5V fan for the hotend.

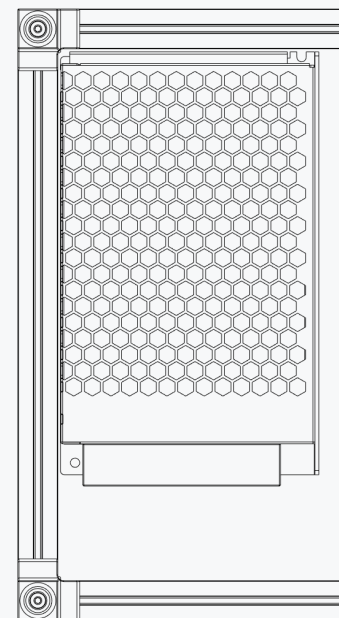
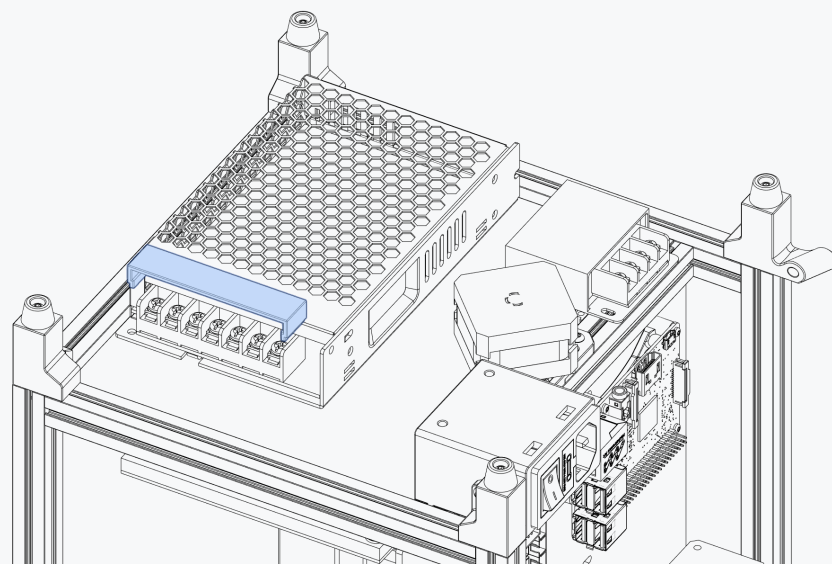
If you sourced fans with a different operating voltage you'll need to adjust the wiring, see <https://voron.link/5fkzb2e> or check on Discord.

RASPBERRY POWER

While we suggest that you power the Raspberry Pi via the GPIO pins you may also power it using the "Power-In" USB port.

Cut a suitable USB cable and wire the + and ground lines to the 5V DC/DC converter instead.





FINGER GUARD

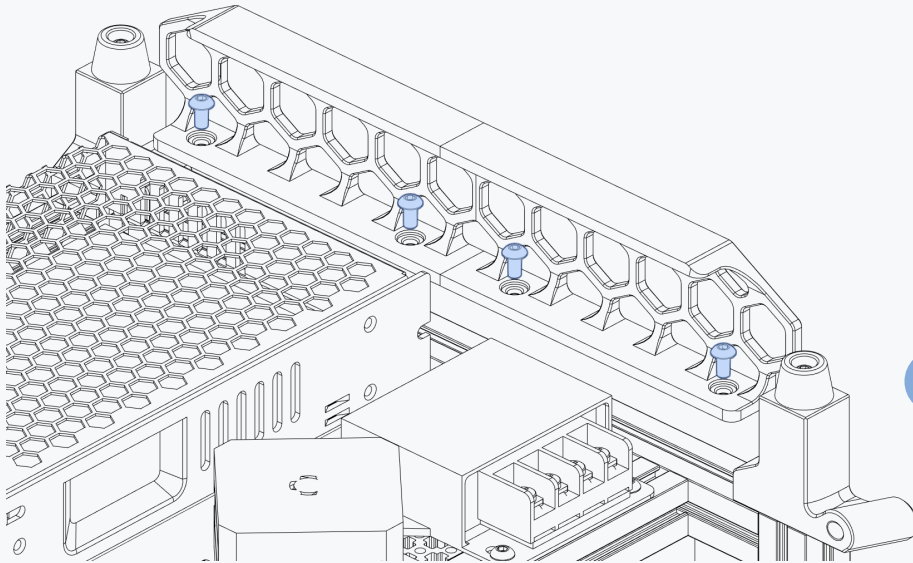
The guard reduces the risk of accidentally touching the terminals.

This page intentionally left blank.



SKIRTS

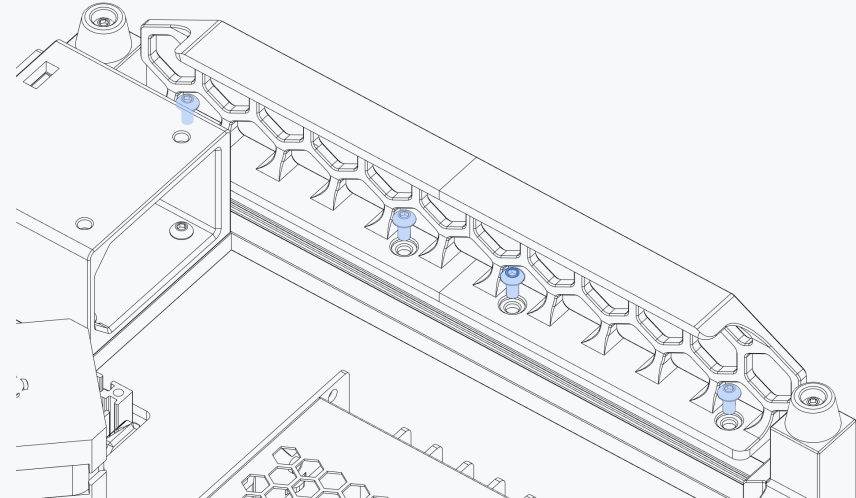
WWW.VORONDESIGN.COM

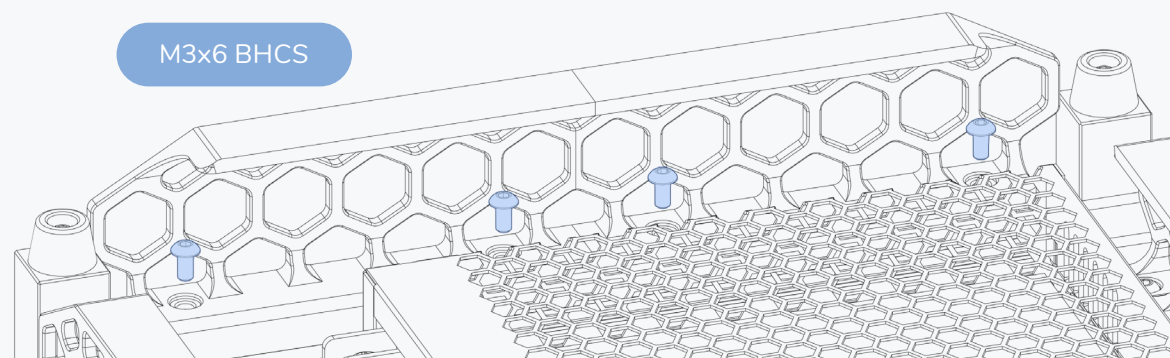


M3x6 BHCS

USE A BALL-END DRIVER

Use a 2mm ball-end driver to fasten the screws.



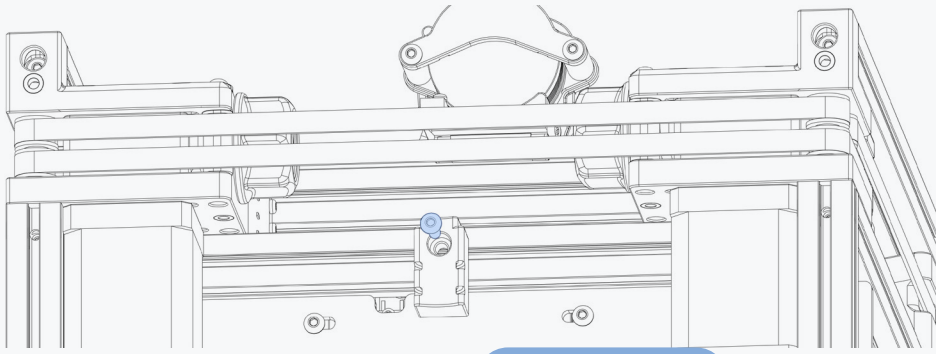


USE A BALL-END DRIVER

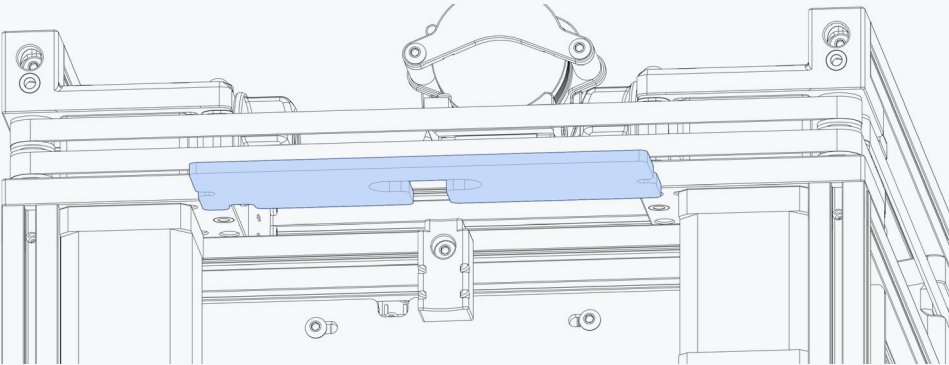
Use a 2mm ball-end driver to fasten the screws.

PANELS

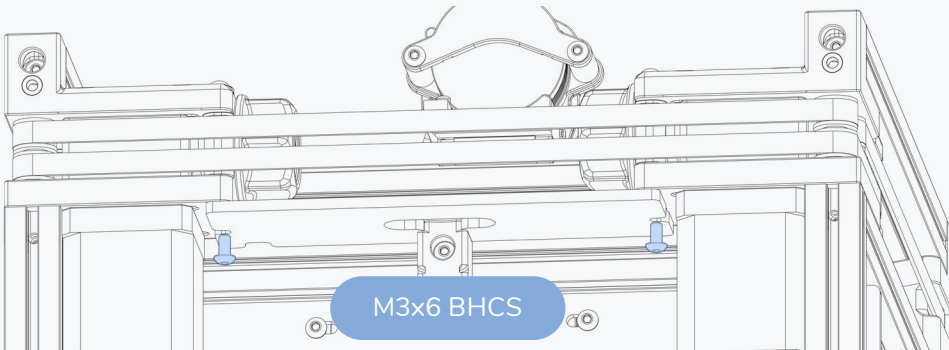
WWW.VORONDESIGN.COM



M3x10 BHCS

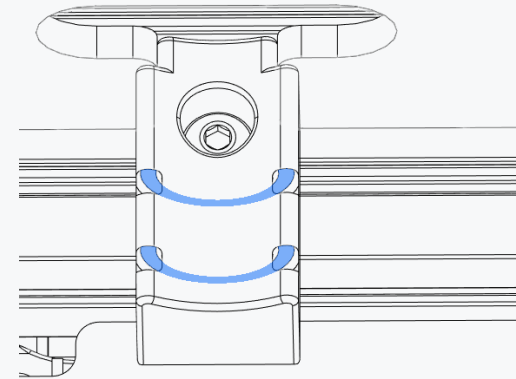


M3x6 BHCS



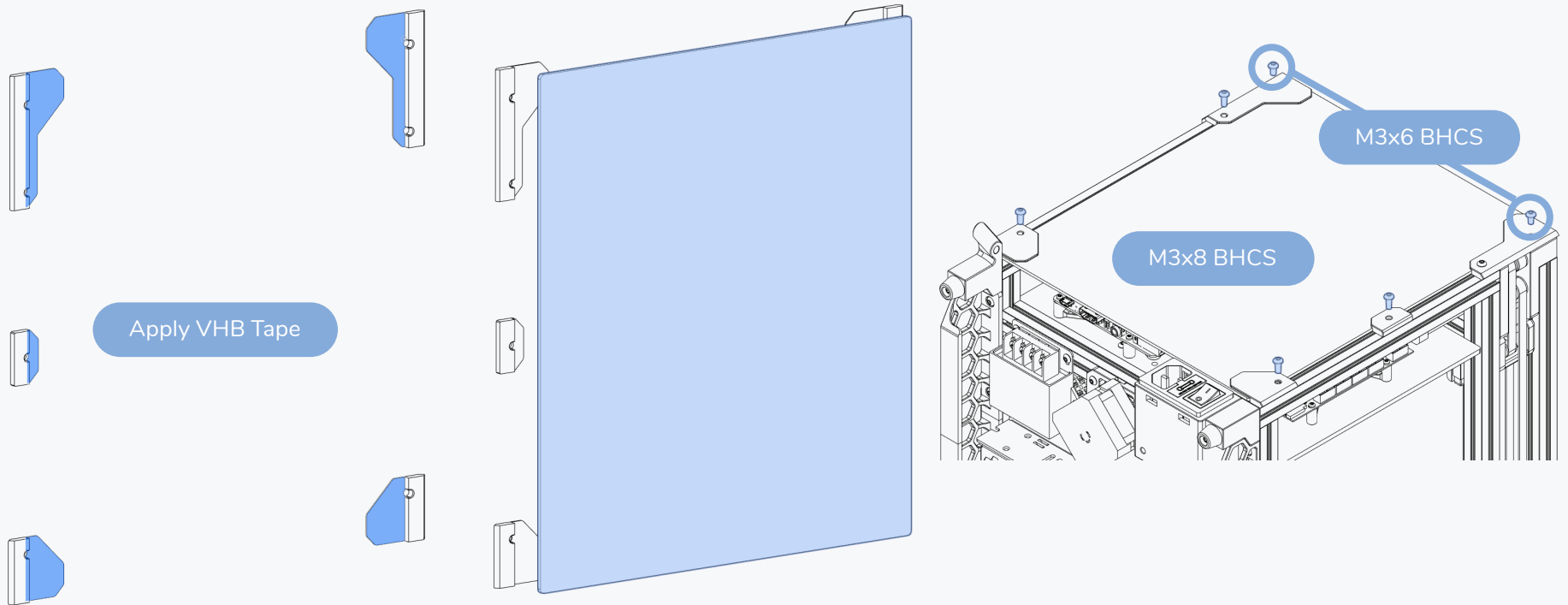
CABLE PASSTHROUGH

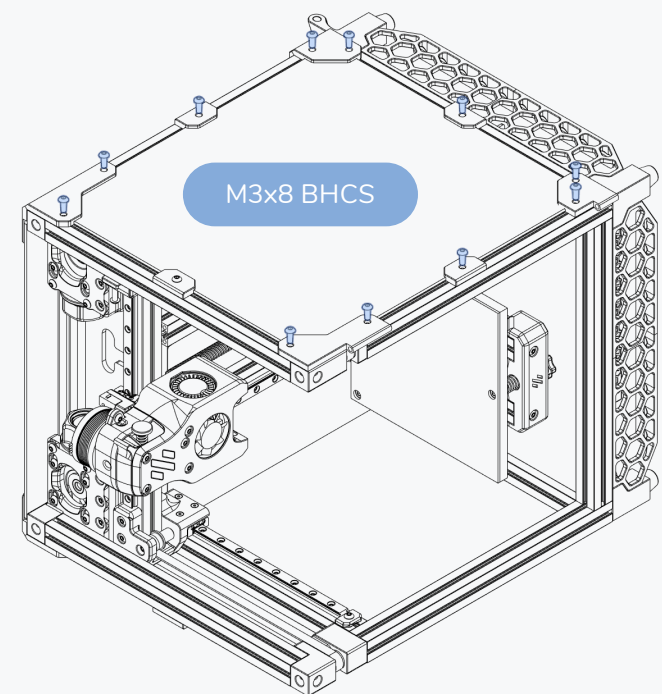
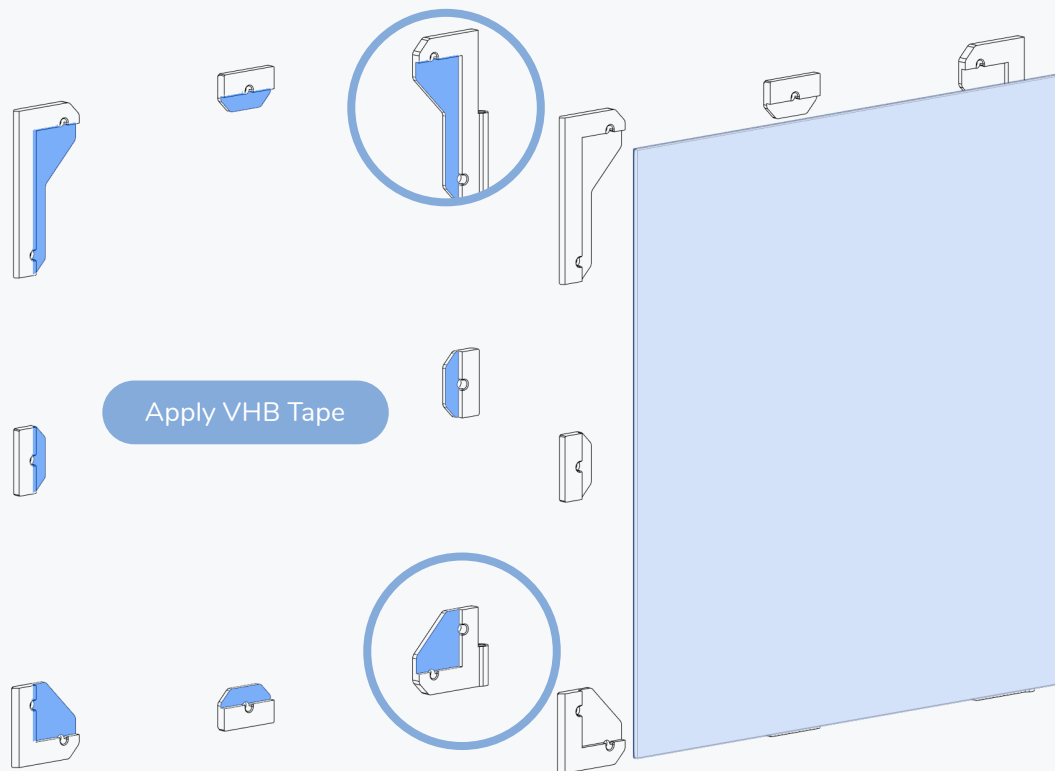
Align the strain relief with the cutout in the motor panel.
Route the wire bundle and bowden tube through the cutout prior to fastening the panel.



ZIP TIE LOOPS

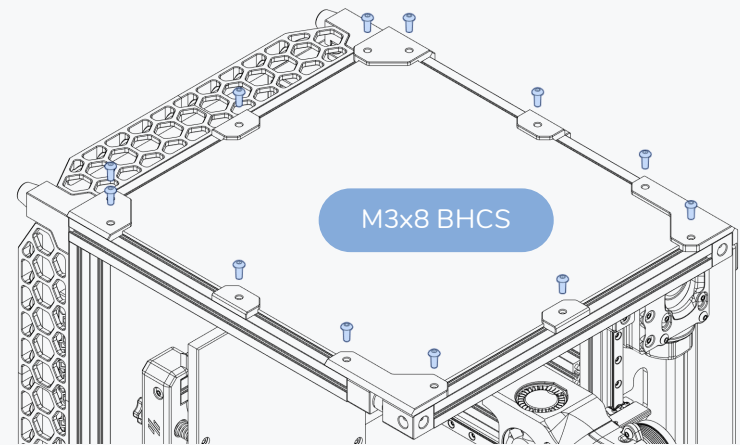
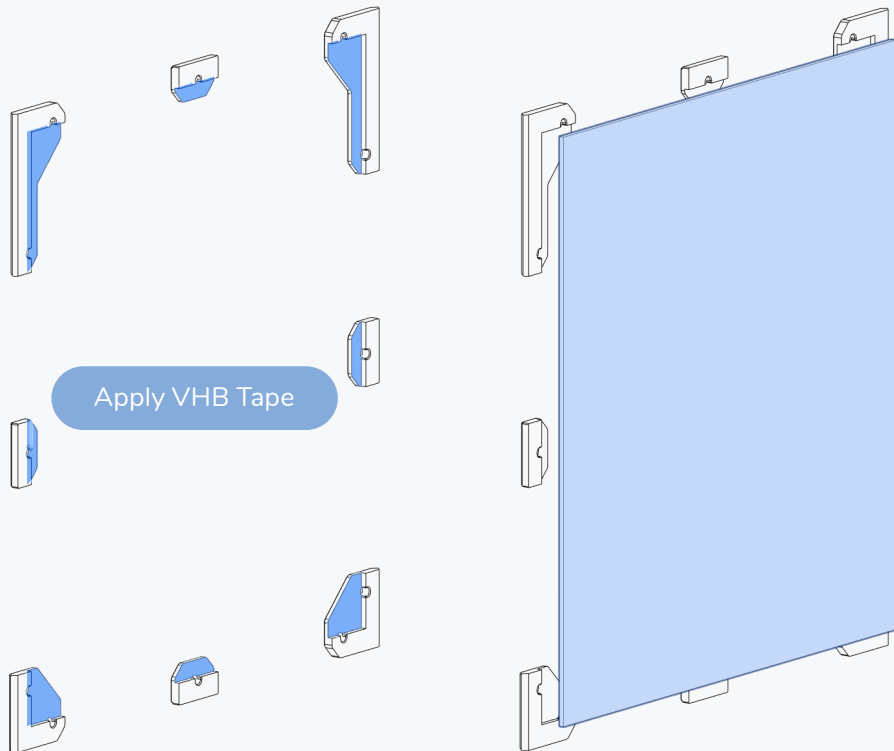
Secure the wire bundle to the strain relief using small zip ties.



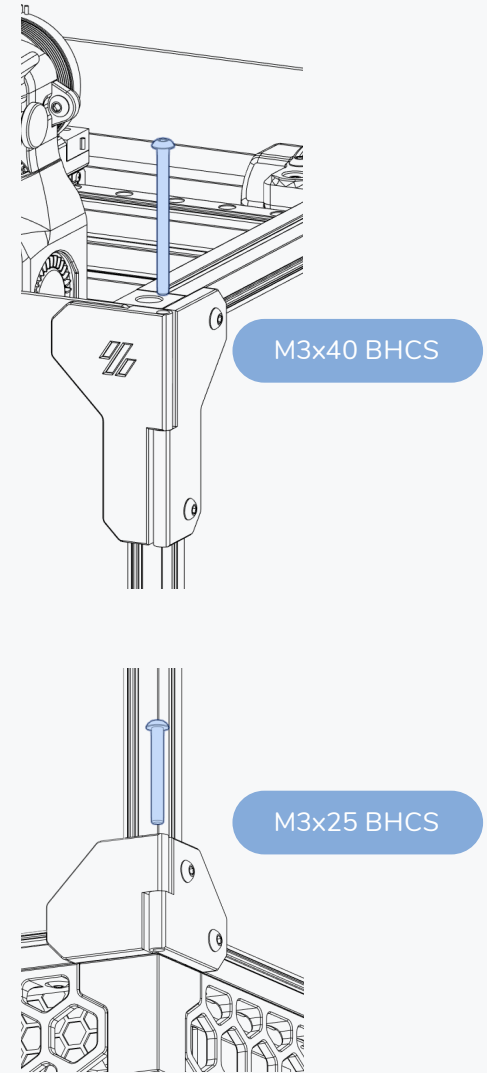
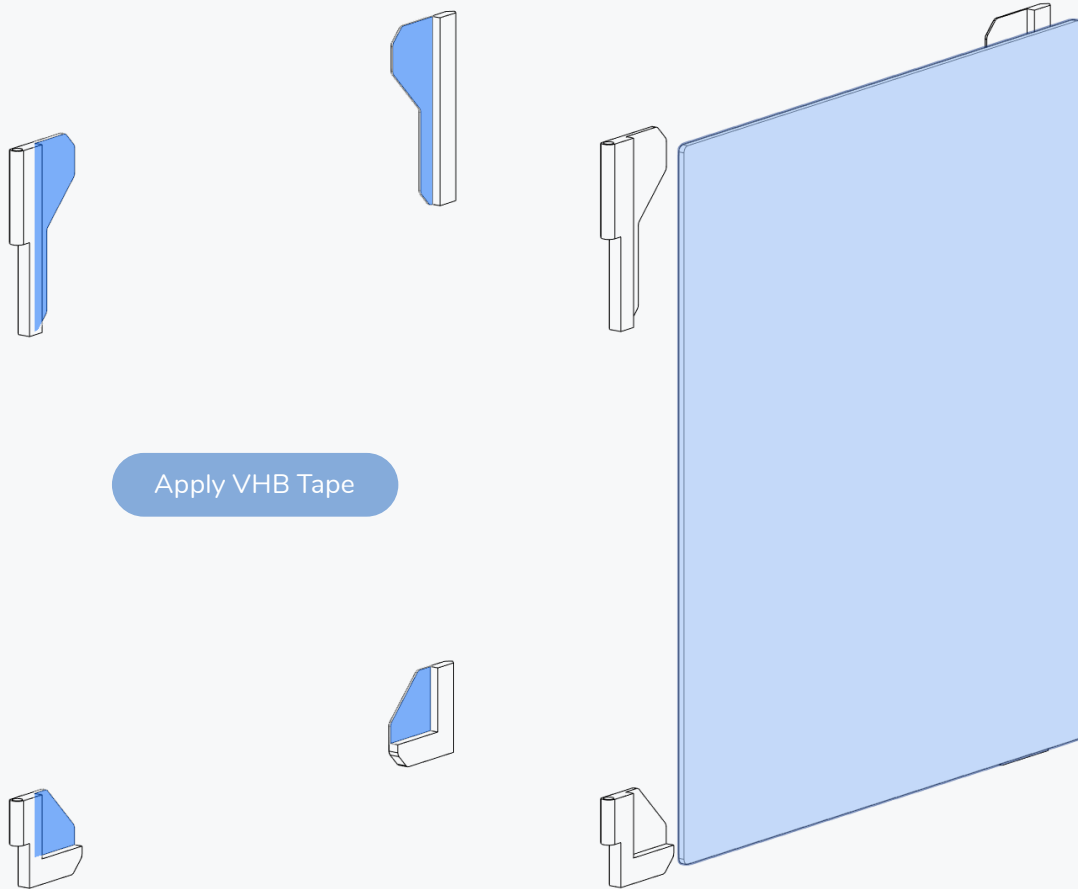


HINGES

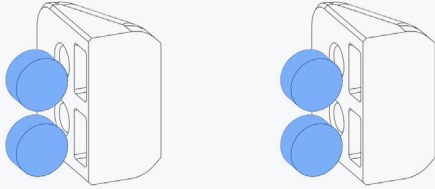
Use the hinge parts for the right hand side panel.



PANELS

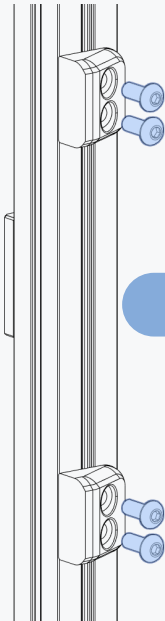
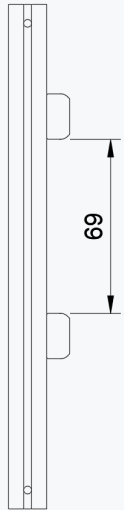


3x6 Magnet

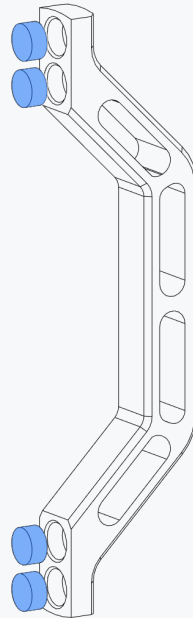


MIND THE MAGNET POLARITY

To properly function the magnets in the latch must attract the magnets in the handle. Install all magnets in the latch with the same polarity and test the handle before glueing the magnets.

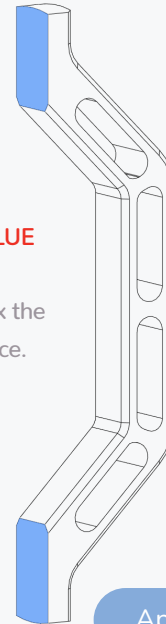


M3x8 BHCS

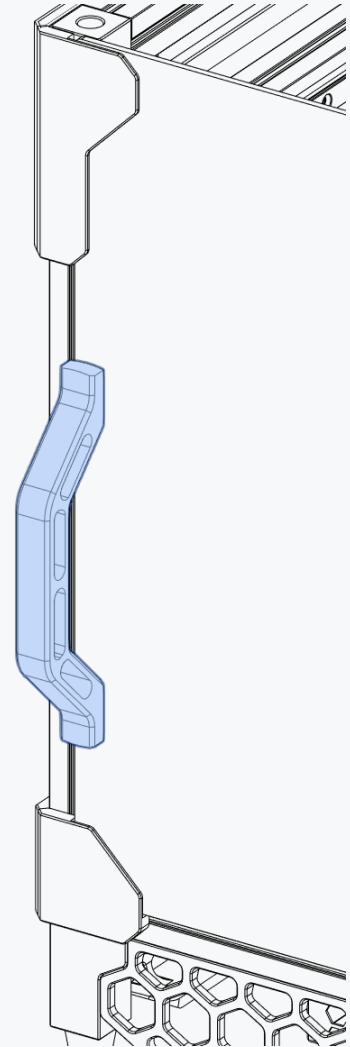


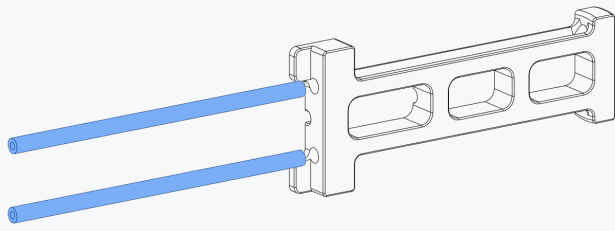
USE SUPERGLUE

Use a drop of superglue to fix the magnets in place.

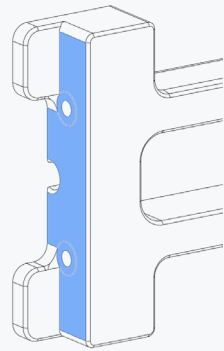


Apply VHB Tape



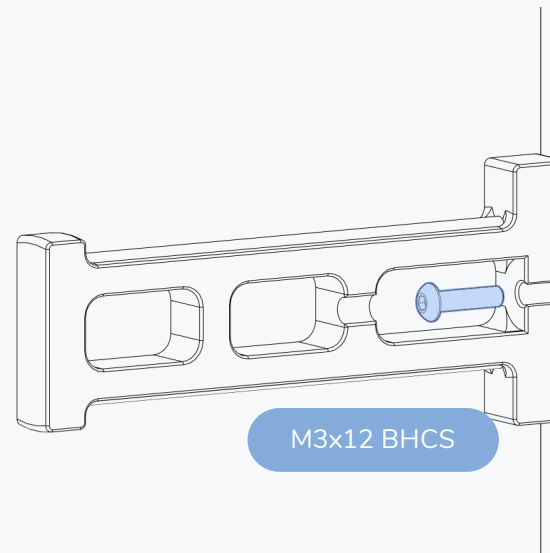


PTFE Tube

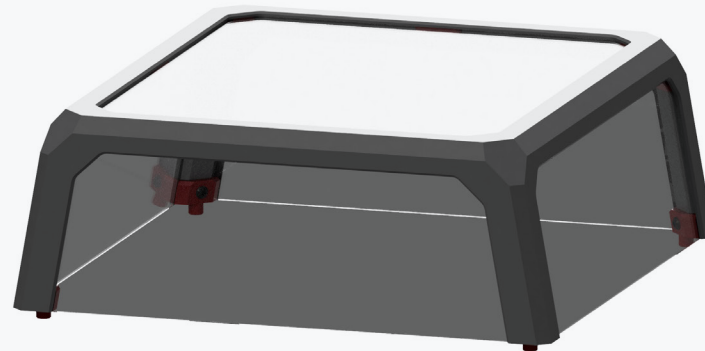


CUT FLUSH

Cut the PTFE tube flush with the surface of the part.

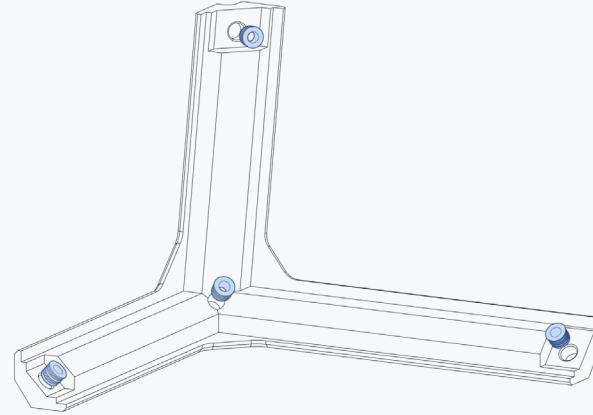
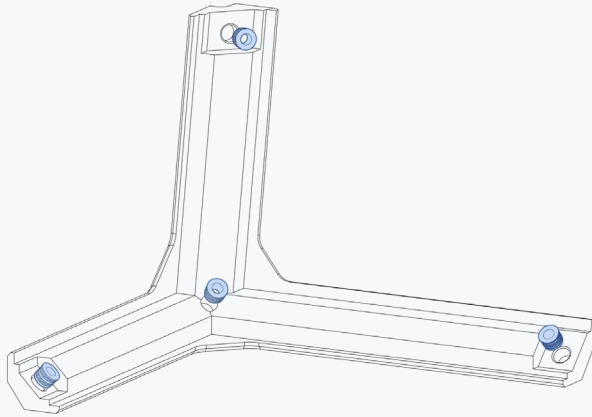


M3x12 BHCS

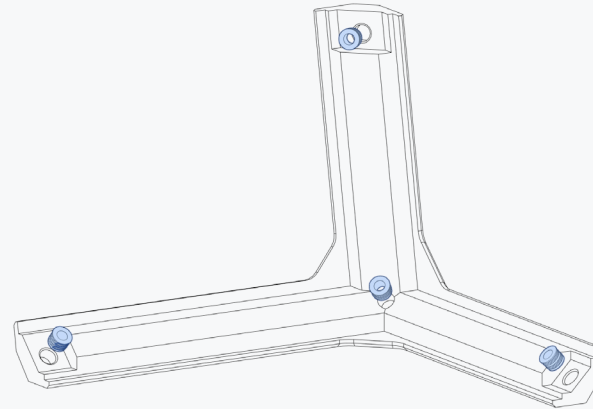
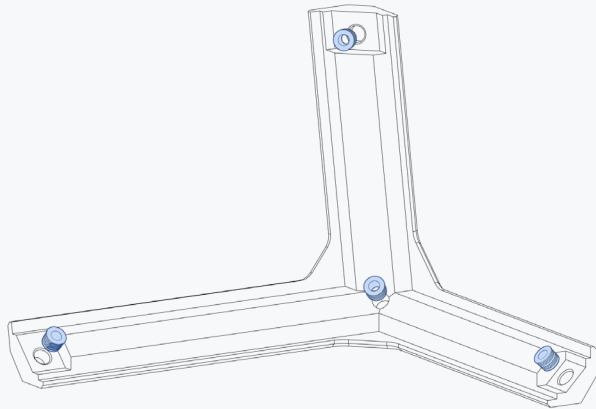


TOPHAT

WWW.VORONDESIGN.COM

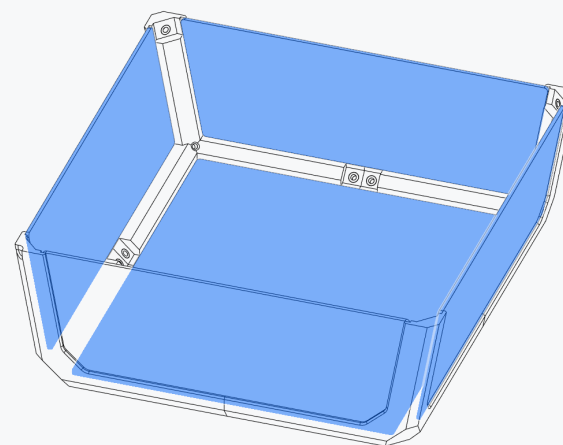
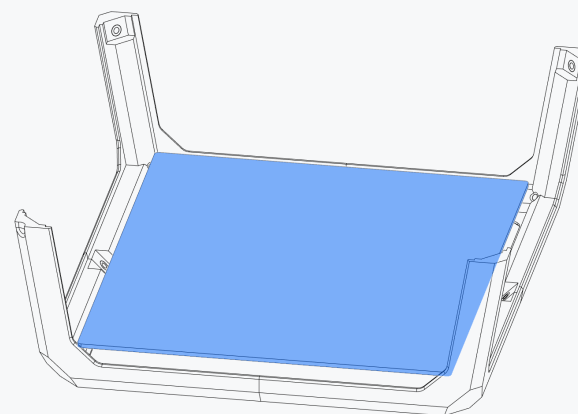
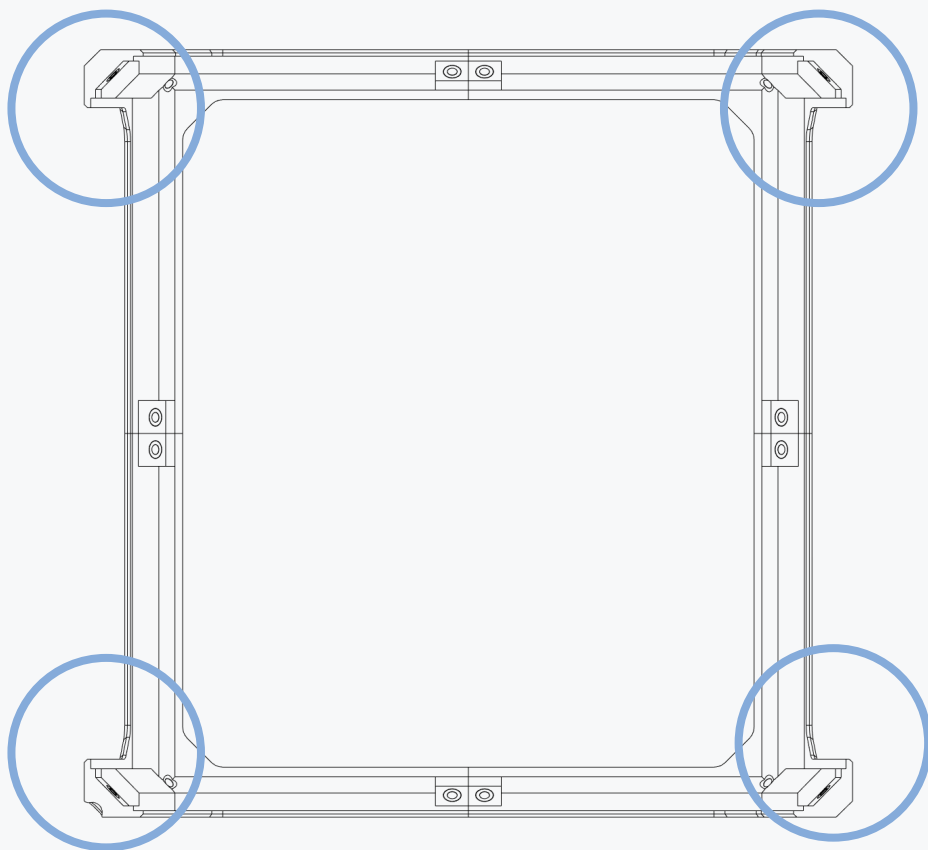


Heat Set Insert



TOPHAT

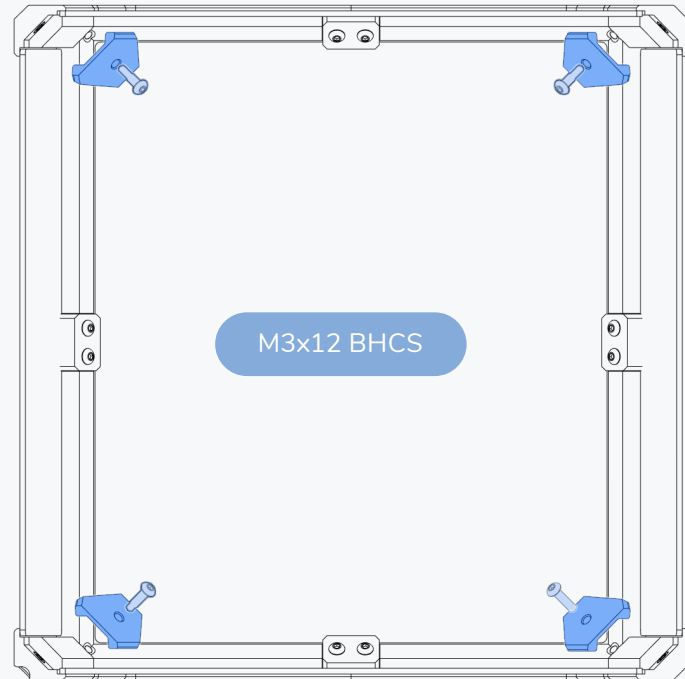
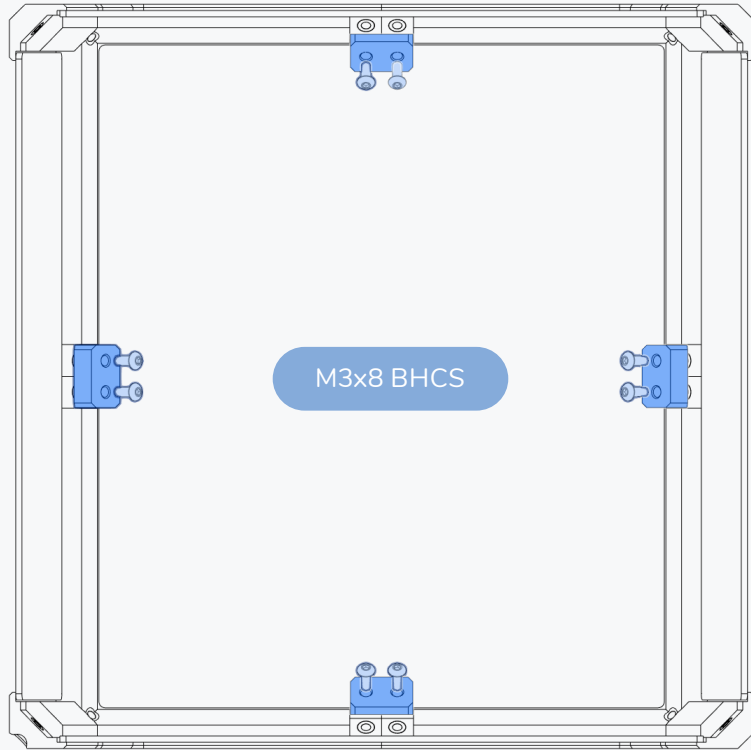
WWW.VORONDESIGN.COM

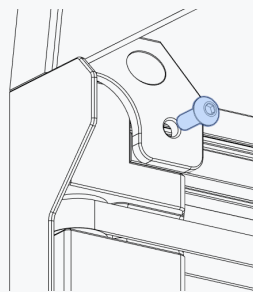
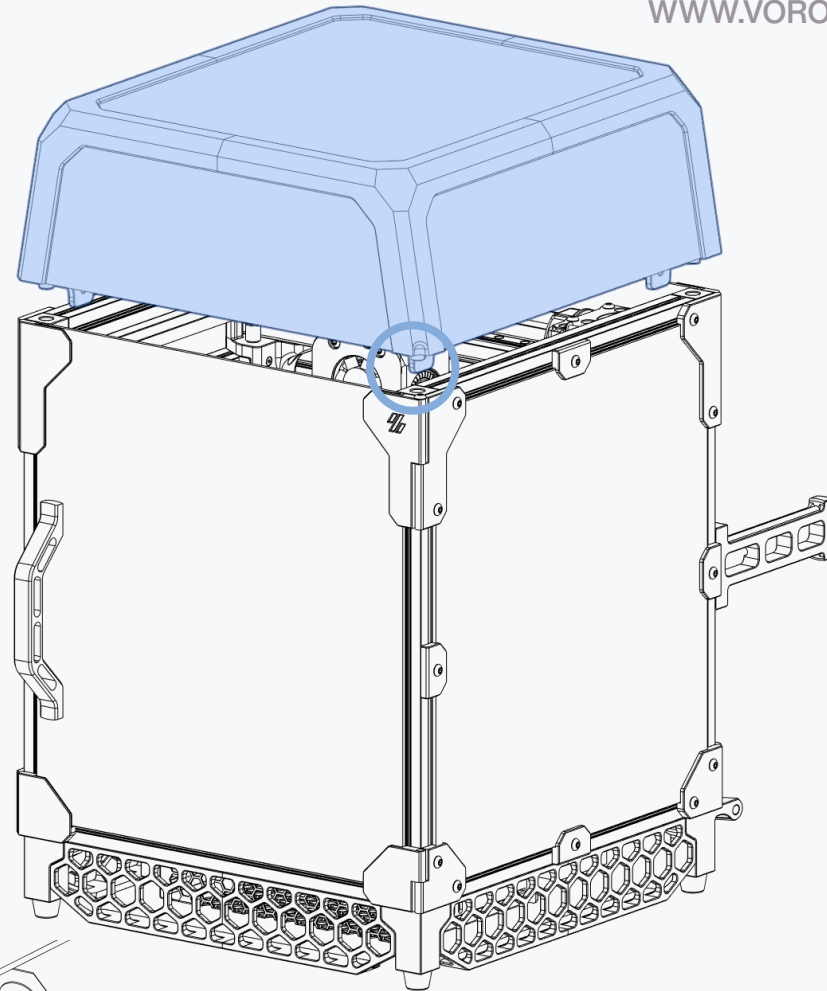
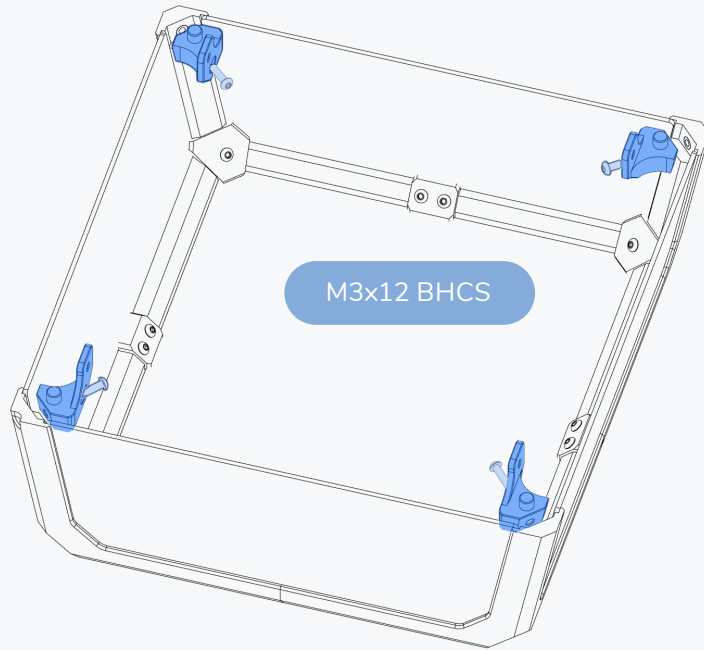


PART ORIENTATIONS

The tophat has 2 square panels.

Align the parts as shown.





SECURING THE TOPHAT

Optional: use M3x8 screws to mount the flaps to the top extrusion.

ASSEMBLY COMPLETED ... NEXT STEP SETUP & CALIBRATION

This manual is designed to be a simple reference manual for the build process.

For details on the setup of the electronics and other initial steps of your new printer please visit our documentation available on github and docs.vorondesign.com.

GitHub

<https://github.com/VoronDesign/Voron-0>

The logo for Voron Docs, featuring three red diagonal slashes followed by the word "DOCS" in a bold, black, sans-serif font.

<https://docs.vorondesign.com/>

HOW TO GET HELP

If you need assistance with your build, we're here to help. Head on over to our Discord group and post your questions. This is our primary medium to help VORON Users and we have a great community that can help you out if you get stuck.



<https://discord.gg/voron>



Website
www.vorondesign.com

Github
<https://github.com/vorondesign>

Discord
<https://discord.gg/voron>

