

折页
128g双铜4C
尺寸100*140mm



User Manual

TS-AG2

WARNING

- This power tool is intended to function as a grinder tool only. Read all safety warnings, instructions, illustrations and specifications provided with this power tool. Failure to follow all instructions listed below may result in electric shock, and/or serious injury.
- Operations such as sanding, wire brushing, polishing are not recommended to be performed with this power tool. Operations for which the power tool was not designed may create a hazard and cause personal injury.
- Do not use accessories which are not specifically designed and recommended by the tool manufacturer. Just because the accessory can be attached to your power tool, it does not assure safe operation.
- The outside diameter and the thickness of your accessory must be within the capacity rating of your power tool. Incorrectly sized accessories cannot be adequately guarded or controlled.
- Do not use a damaged accessory. Before each use inspect the accessory such as abrasive wheels for chips and cracks, backing pad for cracks, tear or excess wear. If power tool or accessory is dropped, inspect for damage or install an undamaged accessory. After inspecting and installing an accessory, position yourself and bystanders away from the plane of the rotating accessory and run the power tool at maximum no-load speed for one minute.
- Wear personal protective equipment. Depending on application, use face shield, safety goggles or safety glasses. As appropriate, wear dust mask, hearing protectors, gloves and workshop apron capable of stopping small abrasive or workpiece fragments. The eye protection must be capable of stopping flying debris generated by various operations. The dust mask or respirator must be capable of filtering particles generated by your operation. Prolonged exposure to high intensity noise may cause hearing loss.
- Keep bystanders a safe distance away from work area. Anyone entering the work area must wear personal protective equipment. Fragments of workpiece or of a broken accessory may fly away and cause injury beyond immediate area of operation.
- Position the cord clear of the spinning accessory. If you lose control the cord may be cut or snagged and your hand or arm may be pulled into the spinning accessory.
- Never lay the power tool down until the accessory has come to a complete stop. The spinning accessory may grab the surface and pull the power tool out of your control.
- Regularly clean the power tool's air vents. The motor's fan will draw the dust inside the housing and excessive accumulation of powdered metal may cause electrical hazards.
- Do not operate the power tool near flammable materials. Sparks could ignite these materials.
- Your hand must hold on the handle when you are working. Always use the auxiliary handles supplied with the tool. Loss of control can cause personal injury.

-01-

SAFETY FOR GRINDING AND ABRASIVE CUTTING-OFF OPERATIONS

- Use only wheel types that are recommended for your power tool and the specific guard designed for the selected wheel. Wheels for which the power tool was not designed cannot be adequately guarded and are unsafe.
- The guard must be securely attached to the power tool and positioned for maximum safety, so the least amount of wheel is exposed towards the operator.
- The guard helps to protect operator from broken wheel fragments and accidental contact with wheel.
- Wheels must be used only for recommended applications. For example: do not grind with the side of cut-off wheel. Abrasive cut-off wheels are intended for peripheral grinding, side forces applied to these wheels may cause them to shatter.
- Always use undamaged wheel flanges that are of correct size and shape for your selected wheel.
- Proper wheel flanges support the wheel thus reducing the possibility of wheel breakage.
- Flanges for cut-off wheels may be different from grinding wheel flanges.
- Do not use worn down wheels from larger power tools. Wheel intended for larger power tool is not suitable for the higher speed of a smaller tool and may burst.

CHARGING SAFETY

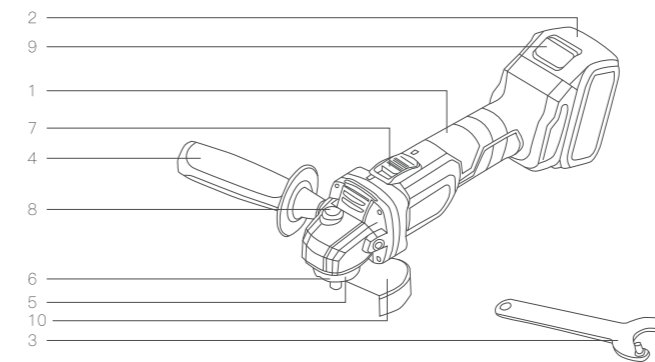
- Before using the charger, read all the instructions and cautionary markings on the charger and battery pack as well as the instructions on using the battery pack.
- Only charge your batteries indoors as the charger is designed for indoor use only.
- DANGER! If the battery pack is cracked or damaged in any other way. Do not insert it in the charger. There is a danger of electric shock or electrocution.
- The charger and battery packs supplied with it are specifically designed to work together. Do not attempt to charge the battery pack with any other charger than the one supplied.
- Do not pull on the power cord to disconnect it from the mains supply socket.
- Do not use the charger if it has been subjected to a heavy knock, dropped or otherwise damaged in any way. Take the charger to an authorised service center for a check or repair.
- Do not disassemble the charger. Take it to an authorised service center when service or repair is required. Incorrect re-assembly may result in the risk of fire, electric shock or electrocution.

-02-

SAFETY FOR THE BATTERY PACK

- The battery pack for this tool has been shipped in a low charge condition. You should charge the battery pack fully before use.
- Do not incinerate the battery pack even if it is seriously damaged or can no longer hold a charge. The battery pack can explode in a fire.
- A small leakage of liquid from the battery pack may occur under extreme usage or temperature conditions. This does not necessarily indicate a failure of the battery pack. However, if the outer seal is broken and this leakage comes into contact with your skin wash the affected area quickly with soap and water. If the leakage gets into your eyes flush your eyes with clean water for a minimum of 10 minutes and seek immediate medical attention.
- Never attempt to open the battery pack for any reason. If the plastic housing of the battery pack breaks open or cracks, immediately discontinue its use and do not recharge it.

DESCRIPTION



- | | |
|-------------------|--------------------------|
| 1. Hand grip | 6. Disc clamping nut |
| 2. Li-Ion battery | 7. On/Off trigger |
| 3. Wrench | 8. Spindle lock |
| 4. Handle | 9. Battery release catch |
| 5. Backing washer | 10. Guard |

-03-

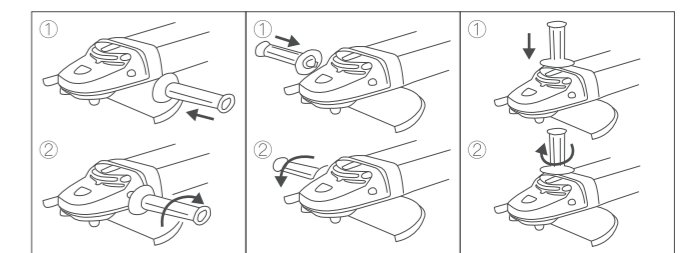
SPECIFICATION

Model	TS-AG2
Voltage	DC36V
Battery	2.0Ah
Rated speed	8500rpm
Disc size	125mm
Vibration Level	4.9m/s ² ,K=1.5m/s ²

ASSEMBLY

WARNING! Always be sure that the tool is switched off and the battery cartridge is removed before carrying out any work on the tool.

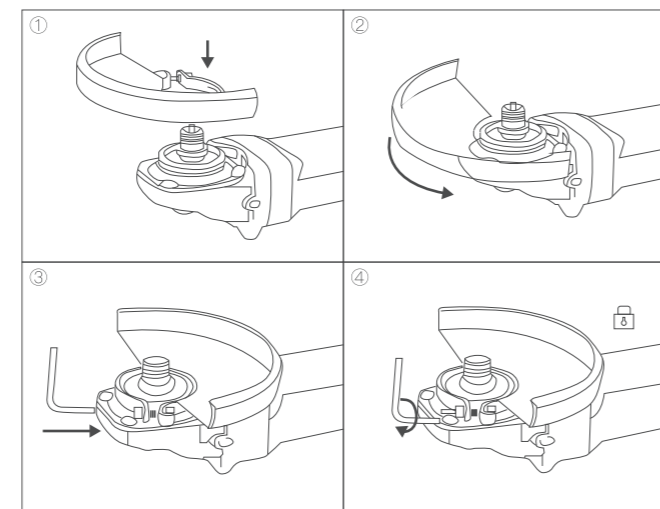
INSTALLING THE HANDLE



- WARNING! Always be sure that the side handle is installed securely before operation.
- The side handle can be fitted to either side of the machine to suit the operator ensure that the side handle is secured but do not over tighten.

-04-

INSTALLING THE GUARD



1. Remove the battery. Using the wrench provided, loosen and remove backing washer, grinding disc, and disc clamping nut from spindle if necessary.
2. Unlock the guard clamp lever.
3. Rotate the guard to its correct position as shown in figures and .
4. Lock the guard clamp lever and retighten clamp screw securely if needed.

Note:

- Never use the angle grinder without the guard in place and properly adjusted.
- WARNING! Never place the guard so that it is on the front of the angle grinder. This could result a serious injury because sparks and loose particles thrown from the grinding wheel would be directed toward the operator.
- Never use your grinder with the guard removed. It has been designed for use only with the guard installed.
- Attempting to use grinder with guard removed will result in loose particles being thrown against the operator resulting in serious personal injury.

-05-

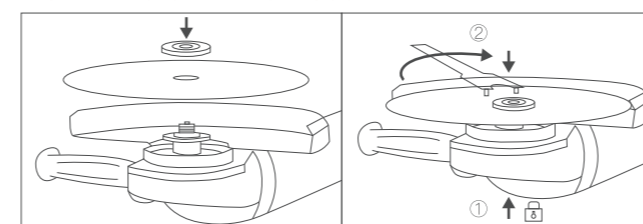
INSTALLING THE BATTERY PACK

- Slide the battery pack into the tool base, (note the battery has raised ribs which allows it to fit into the pole saw only one way). Make sure the battery pack snaps into place and that battery pack is secured in the tool before beginning operation.
 - Improper installation of the battery pack can cause damage to internal components.
- NOTE:**
- To avoid serious personal injury, always remove the battery pack and keep hands clear of the lock-out button when carrying or transporting the tool.

REMOVING THE BATTERY PACK

- Locate the battery release catch on the top of the battery, whilst holding down the battery release catch slide the battery pack away from the tool.

INSTALLING GRINDING DISCS



- Make sure that the tool is switched off and the battery cartridge is removed. Turn the Angle Grinder onto its back.
- Locate and depress the spindle lock button. Using the wrench supplied insert the pins into the holes on the disc clamping nut. Turn the wrench anticlockwise to release the disc clamping nut.

NOTE: There are different types of discs used for different applications. Select the correct one for the work being done. Make sure the disc backing washer flats are located correctly with the flats on the shaft. The grinding disc should be placed onto the Angle Grinder with the writing facing upwards.

-06-

INSTALLING A NEW DISC

- Place the disc over the shaft locating it onto the disc backing washer. It can be seen that the backing washer has a raised lip.
- The hole in the disc should match the diameter of the raised lip, keeping the disc mounted central, refit the disc clamping nut. Tighten with fingers until the disc is clamped, locate and depress the spindle lock and using the supplied wrench. Tighten the locking washer in a clockwise direction until the disc is firmly clamped but do not overtighten. Release the Spindle lock and turn the Angle Grinder over.
- Note:** WARNING! Always install grinding disc and abrasive with the depressed center against the backing washer. Failure to do so will cause the grinding disc to crack when tightening the disc clamping nut. This could result in serious personal injury because of loose particles breaking off and being thrown from the angle grinder. Do not overtighten.

OPERATION

STARTING AND STOPPING

- To start the tool, pull back the safety lever forwards the rear of the machine and then squeeze the On/Off trigger.
- To stop the tool, release the trigger.

CAUTION:

- Before inserting the battery cartridge into the tool, always check to see that the trigger switch actuates properly and returns to the "OFF" position when the switch trigger is depressed.
- WARNING! It should never be necessary to force the tool. The weight of the tool applies adequate pressure.
- Forcing and excessive pressure could cause dangerous disc breakage.
- ALWAYS replace disc if tool is dropped while grinding.
- NEVER bang or hit grinding disc or wheel onto the work piece.
- Avoid bouncing and snagging the disc, especially when working corners, sharp edges etc. This can cause loss of control and kickback.
- NEVER use tool with wood cutting blades and other saw blades. Such blades when used on a grinder frequently kick and cause loss of control leading to personal injury.
- After operation, always switch off the tool and wait until the wheel has come to a complete stop before putting the tool down. If the tool is operated continuously until the battery cartridge has discharged, allow the tool to rest for 15 minutes before proceeding with a fresh battery.

-07-

GRINDING

- Secure all work before beginning any operation.
- Secure small workpieces in a vise or clamp to a work-bench.
- The key to efficient operation is controlling the pressure and surface contact between the grinding wheel and workpiece.
- ALWAYS hold the tool firmly with one hand on housing and the other on (he side handle. Turn the tool on and then apply the disc to the workpiece.
- In general, keep the edge of the disc at an angle of about 15 degrees to the workpiece surface. If the angle grinder is held in one spot too long, it will gouge and cut grooves in the workpiece.
- If the angle grinder is held at too sharp an angle, it will also gouge the workpiece because of concentration of pressure on a small area.
- Use just enough pressure to keep the angle grinder from chattering or bouncing. Heavy pressure will decrease its speed and put a strain on the motor.
- Normally the weight of the tool alone is adequate for most grinding jobs.
- Use light pressure when grinding jagged edges or loose bolts where there is the potential for metal angle grinder to snag on the metal edge.
- Lift the angle grinder away from the workpiece before turning the angle grinder off.

MAINTENANCE

- The tool and its air vents have to be kept clean. Regularly clean the tool's air vents or whenever the vents start to become obstructed.
- When servicing, use only identical replacement parts. Use of any other parts may create a hazard or cause product damage.
- Always wear safety goggles or safety glasses with side shields during power tool operation or when blowing dust, if operation is dusty, also wear a dust mask.
- WARNING! Always remove battery pack from your tool when you are assembling parts, making adjustments, cleaning, or when not in use. Removing battery pack will prevent accidental starting that could cause serious personal injury.

DISPOSAL

- For environmental reasons, when disposing of the product, please do not throw it away with general household waste, but give it to an officially designated recycling center.

-08-

Company: Lotus Nl, B.V.
Address: Koningin Julianaplein 10, 1e Verd, 2595AA, The Hague, Netherlands.
E-mail: peet@lotus.nl
Tel: +31644169999



-05-

-06-

-07-

-08-