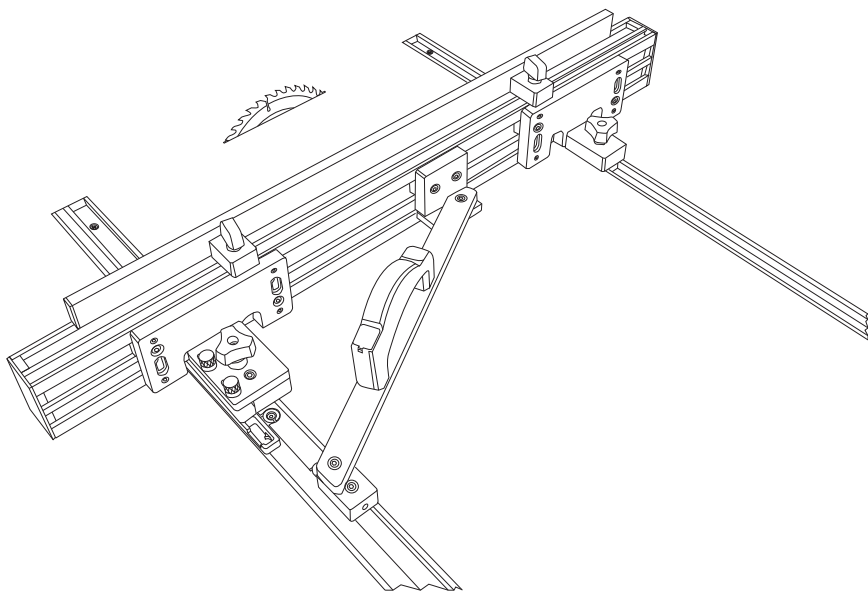




电圆锯倒装靠山 用户使用说明书

The instructions



前 言

感谢您选择电圆锯倒装靠山。按照本使用说明书规定使用，您可以无故障的使用很多年。使用说明书中的参数，图纸和图片仅代表工具目前的状态。我们会持续不断的改进和完善，工具会升级和改进，请恕升级后不能一一通知。

安全警告

使用工具之前请佩戴防护眼镜，戴好口罩，避免异物进入眼睛和肺。请时刻保持警觉和对工具的控制！并时刻注意您的操作与运用常识！疲劳时及饮酒后请勿操作工具。请保留并经常参阅本使用说明书。

目 录

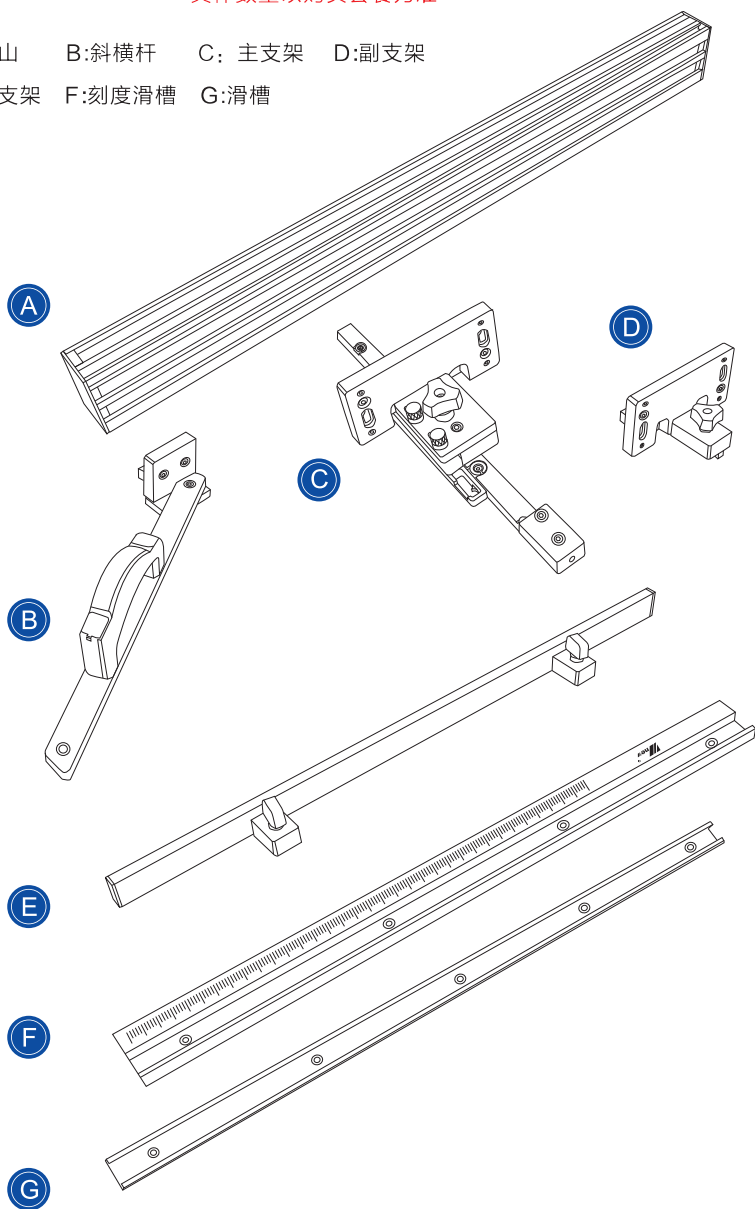
部件组成	1
产品参数	2
倒装台面的制作	3
靠山的组装	4-6
靠山的调整与使用	7
工具保养	8

部件组成

◎主要部件包括 *具体数量以购买套餐为准

A:靠山 B:斜横杆 C:主支架 D:副支架

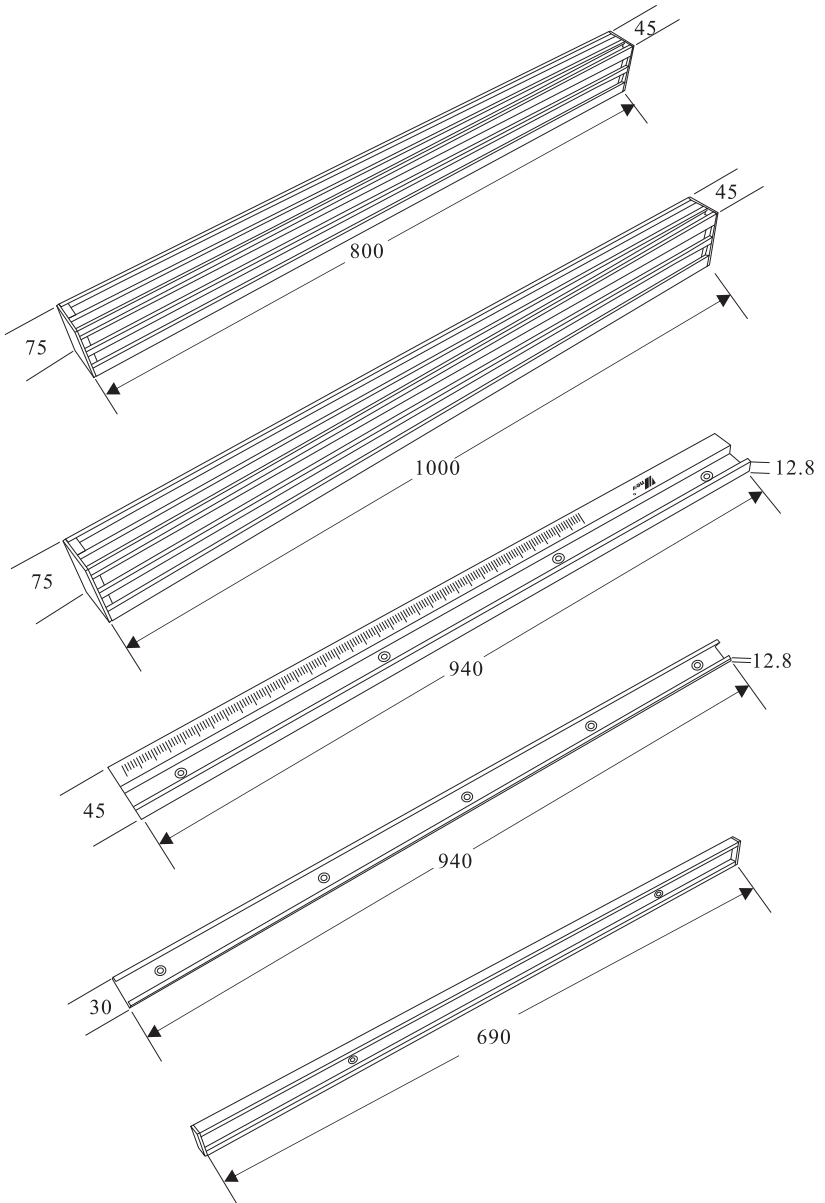
E:小支架 F:刻度滑槽 G:滑槽



产品参数

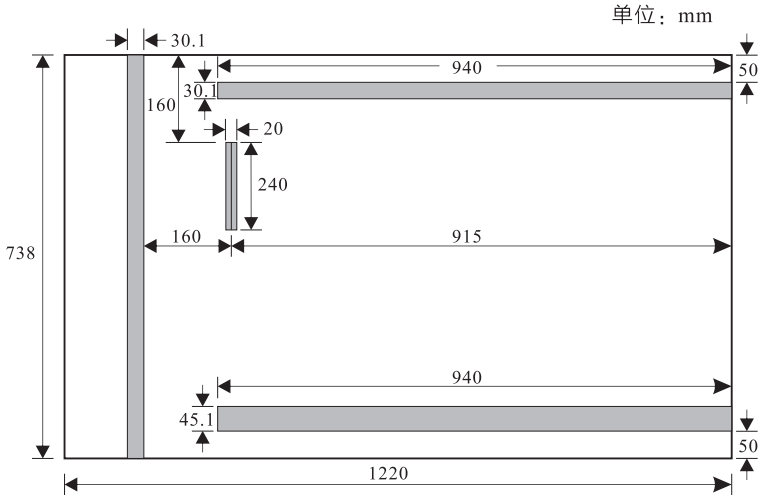
靠山有两个尺寸，分别是800mm和1000mm,以套餐为准。

单位：mm



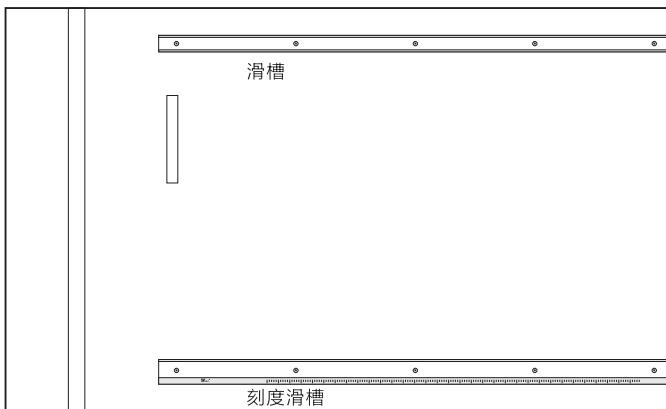
倒装台面的制作

倒装之前先要准备一张工作台面，厚度为25mm以上，材质可为密度板，多层板等等。以尺寸1220X738mm为例（800x1220mm或800x1500mm均可），按下图尺寸在台面上开好三条槽，槽深为13mm，并开好圆锯的锯口(1-1)。



1-1

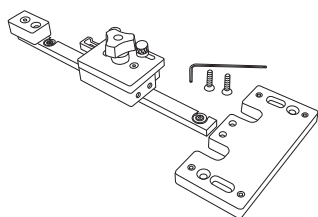
把滑槽和刻度滑槽用螺丝分别固定在工作台面开好的槽内(1-2)。



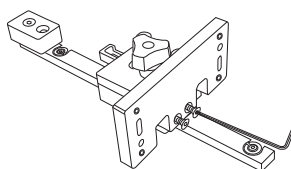
1-2

靠山的组装

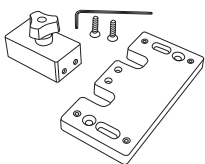
把主支架(2-1)，副支架(2-3)的各部件分别组装好(2-2)(2-4)。



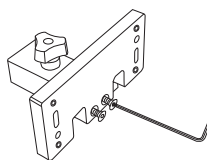
2-1



2-2

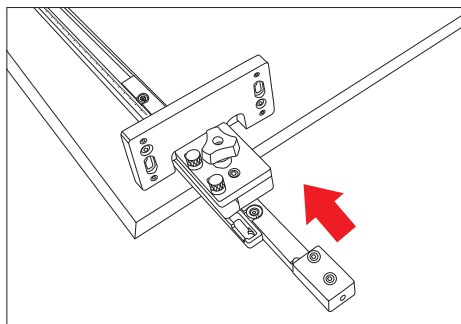


2-3

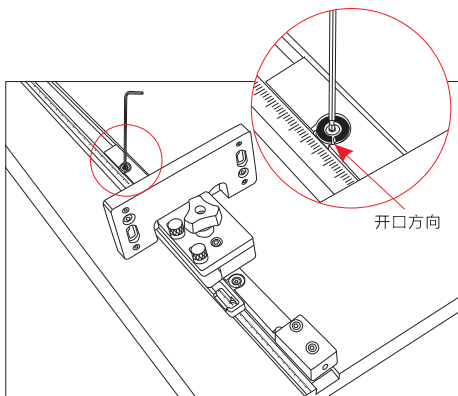


2-4

把主支架上的滑块从桌边穿入刻度滑槽内(2-5)，主支架上的滑块全部进入滑槽后，用六角板手调节主支架滑块上的涨圈，涨圈开口的位置要在滑条内，不能放到缺口处(2-6)，使滑块在滑槽里面滑动顺畅，间隙合适，松紧适中。

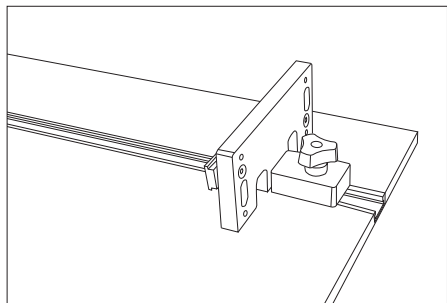


2-5

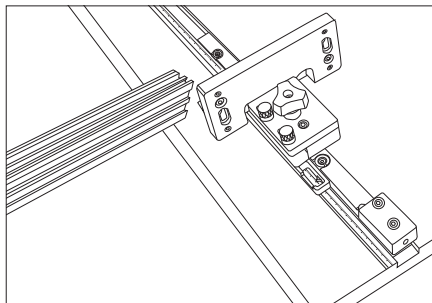


2-6

同样把副支架上的滑块从桌边穿入滑槽内(2-7)，把靠山有槽的一边（如有盖子先打开）对准主支架上的滑块，把滑块装入靠山的槽内。(2-8)。

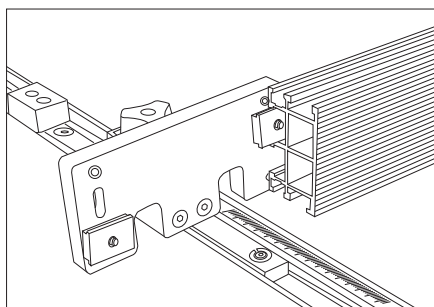


2-7

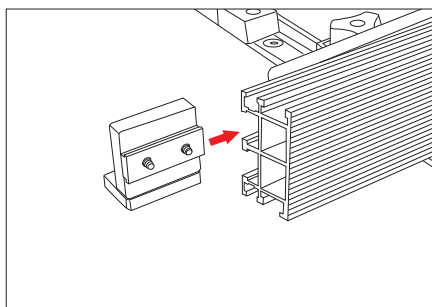


2-8

支架上有两个滑块跟靠山上的滑槽一一对应好(2-9)，把滑块先后装入靠山的滑槽内，再把斜横杆连接块的滑块装入靠山的滑槽内(2-10)。

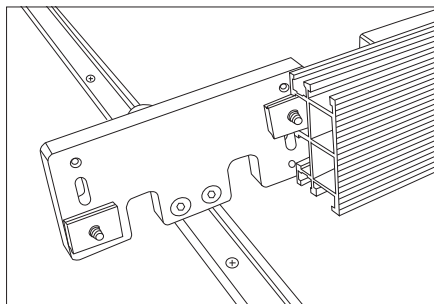


2-9

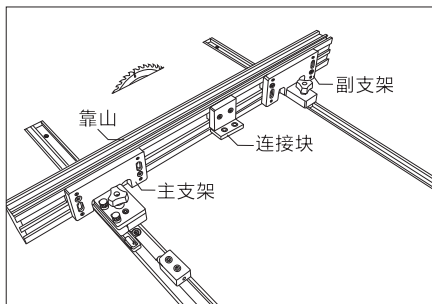


2-10

继续把副支架上的两个滑块跟靠山上的滑槽一一对应好(2-11)，把滑块先后装入靠山的滑槽内，装好后如图(2-12)所示。

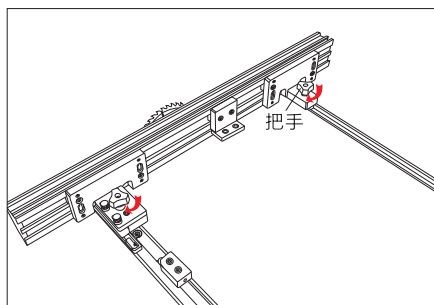


2-11

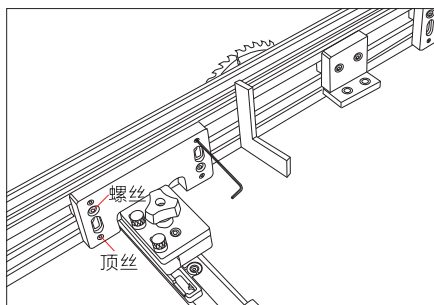


2-12

靠山向锯片移动并贴紧锯片即靠山与锯片平行，拧紧主副支架上的固定把手(2-13)，主副支架上分别有四颗顶丝，可用来调节靠山与桌面的垂直度(2-14)，用直角尺进行检查，垂直则不用调整，调整完成后再把固定螺丝锁紧。

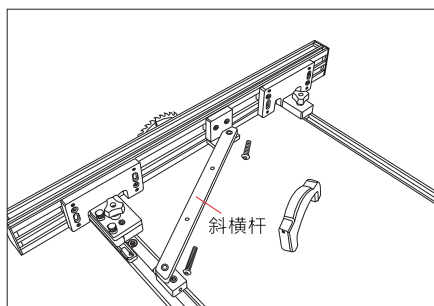


2-13

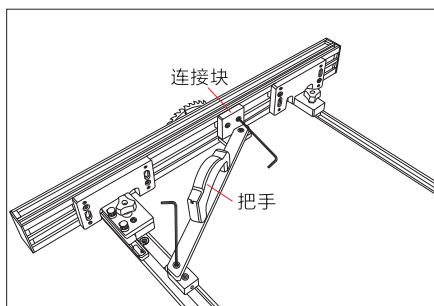


2-14

调整斜横杆连接块的位置，把斜横杆装上，主支架上用长螺丝，连接块上用短螺丝，再把连接块上的螺丝锁紧(2-15)，把把手装上，盖好螺丝盖(2-16)。

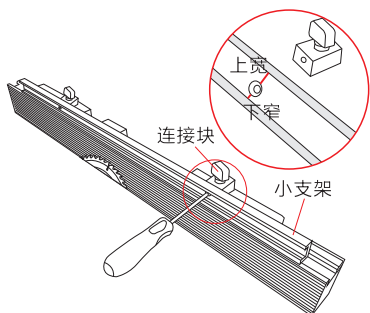


2-15

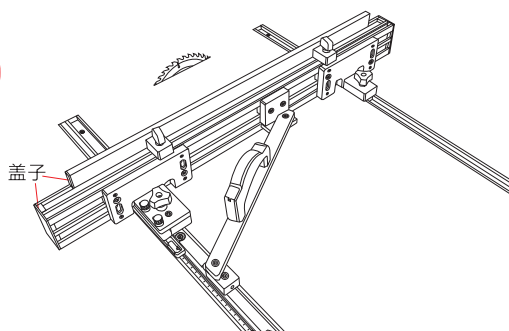


2-16

把小支架用连接块装在靠山的上边，小支架螺丝孔以上宽下窄安装(2-17)，把靠山和小支架的盖子盖上，电圆锯倒装靠山装好后如图所示(2-18)。



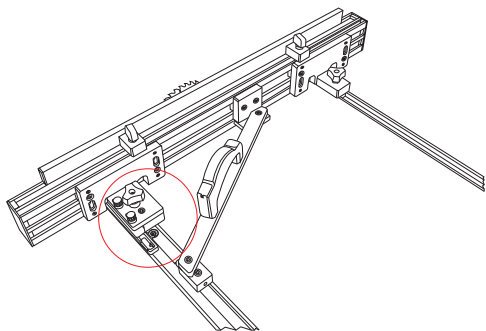
2-17



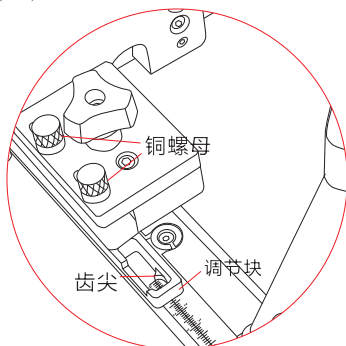
2-18

靠山的调整与使用

靠山向锯片移动并贴紧锯片并把主、副支架把手锁紧(3-1)，拧松主支架上的手拧铜螺母，移动调节块使齿尖对准“0”刻度，再拧紧铜螺母，调“0”完成(3-2)。

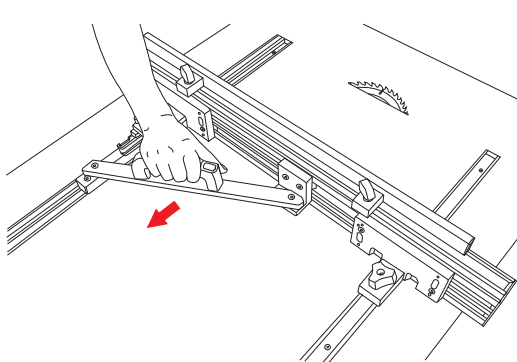


3-1

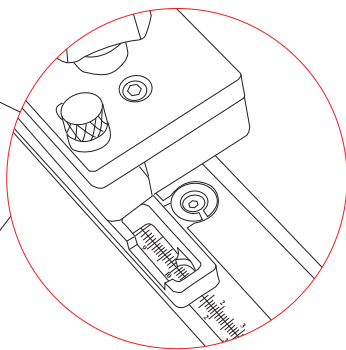


3-2

使用时，先把主副支架上的固定把手拧松，手握住斜横杆上的把手移动靠山(3-3)，直到需要的宽度，再把固定把手锁紧，例如当齿尖对准刻度“10”，即切割宽度为10厘米(3-4)。

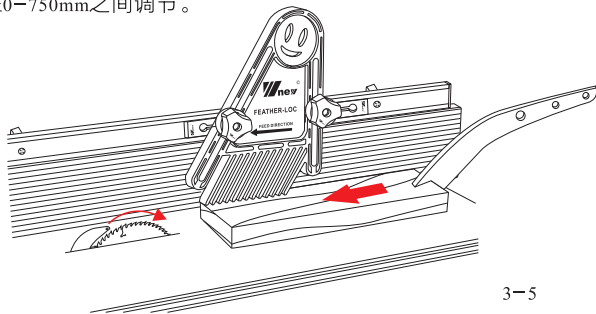


3-3



3-4

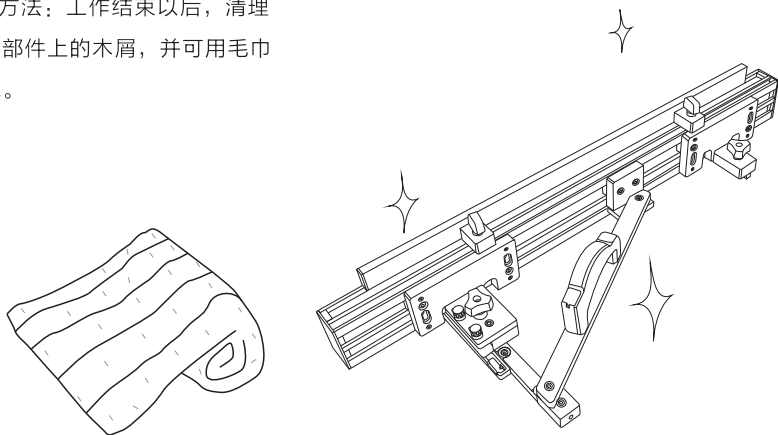
在小支架上装上羽毛板(需另购)，用推把推着木料通过旋转的锯片进行切割(3-5)，靠山与锯片的距离可在0-750mm之间调节。



3-5

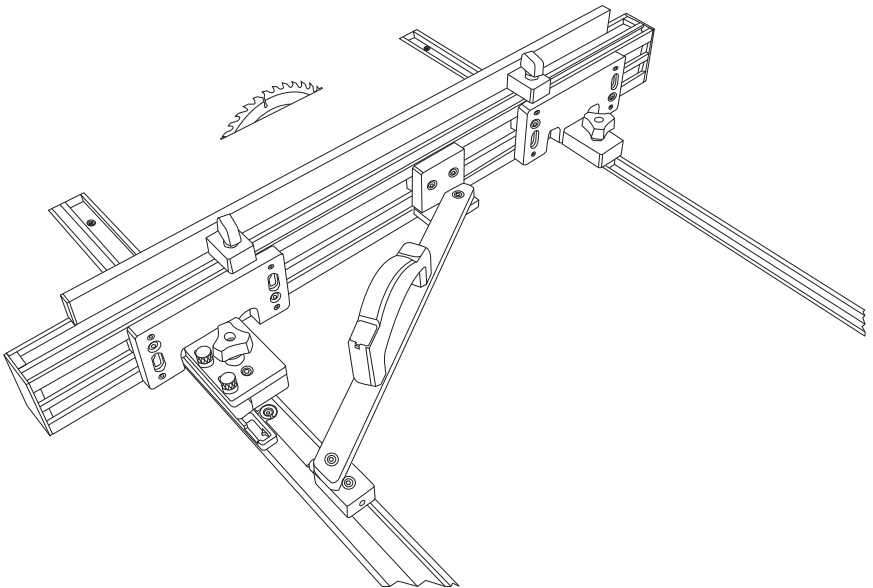
工具保养

保养方法：工作结束以后，清理干净靠山部件上的木屑，并可用毛巾进行擦拭。





Electric Circular Saw Flip Fence User Manual



Preface

Thank you for choosing electric circular saw flip fence. The product can serve many years if used according to this manual. The parameters, drawings and pictures in the manual only represent the current status of the tool. We will continue to improve and upgrade. Please forgive us for not informing each upgrading.

Safety Warning

Before using the tool, please wear protective glasses and masks to prevent foreign matters from entering the eyes and lungs. Please keep alert and control of tools at all times! Please pay attention to your operation and knowledge! Do not operate tools when tired or after drinking. Please keep and refer to this manual frequently.

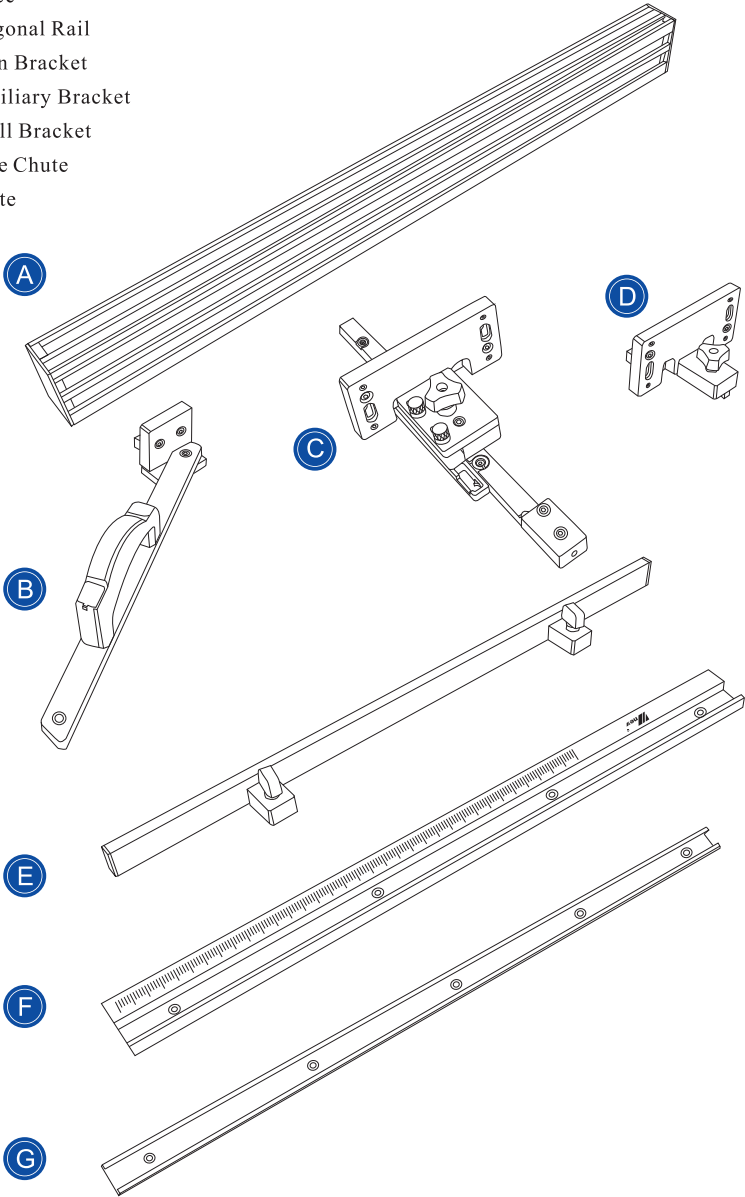
Catalogue

Component	11
Parameters	12
Manufacture of Flip Table	13
Fence Assembly	14-16
Adjustment and Use of Fence	17
Tool Maintenance	Back cover

Component

◎ Main components include The specific quantity is subject to the package purchase

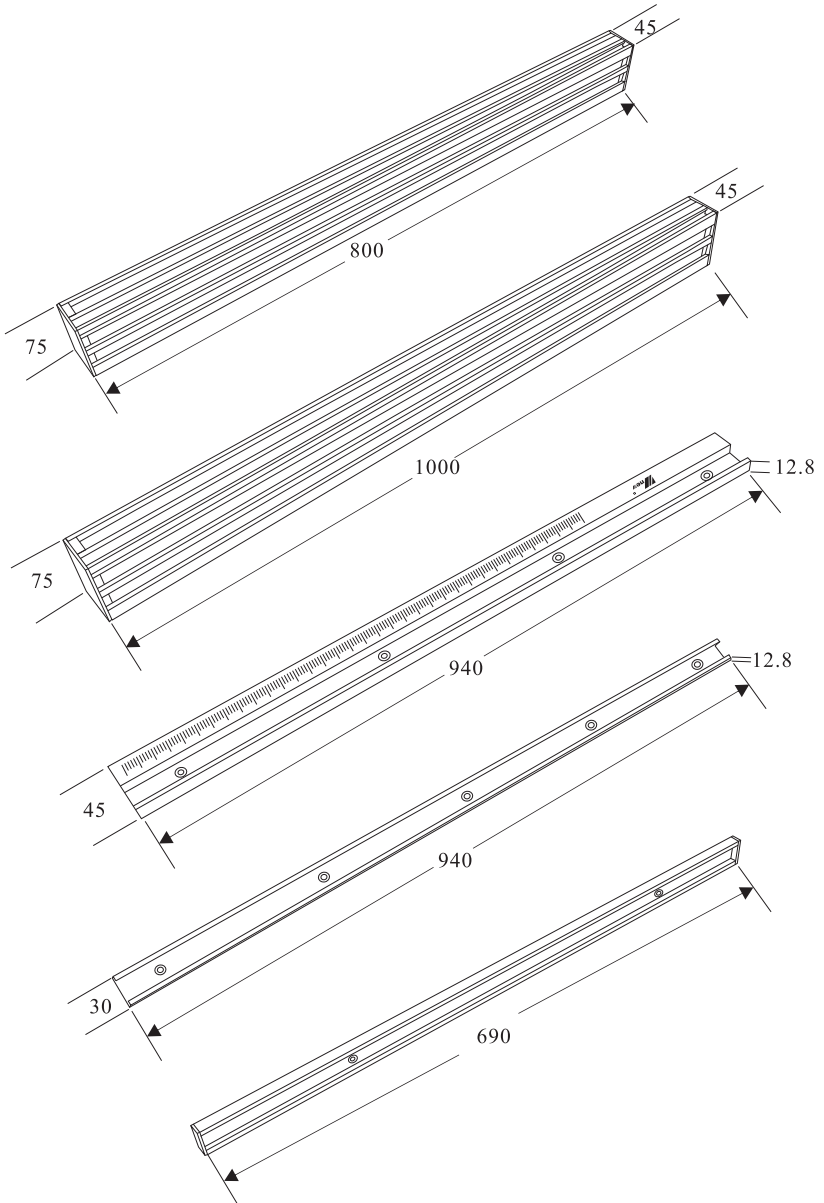
- A: Fence
- B: Diagonal Rail
- C: Main Bracket
- D: Auxiliary Bracket
- E: Small Bracket
- F: Scale Chute
- G: Chute



Parameters

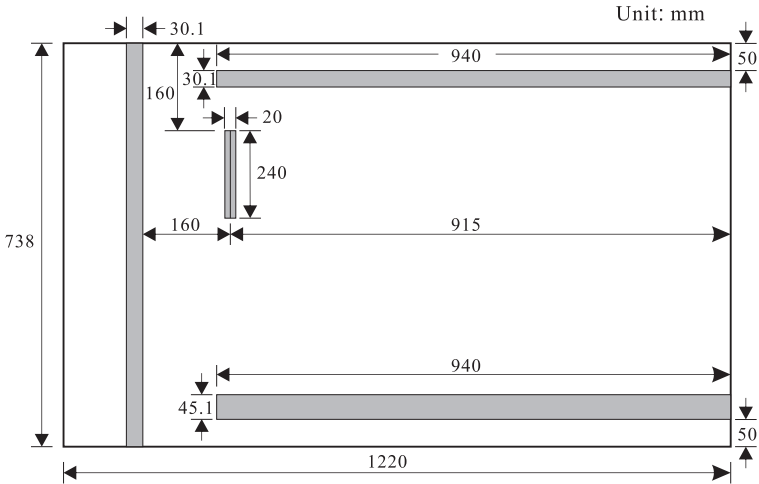
There are two sizes of the fences, 800mm and 1000mm respectively, subject to the package purchase.

Unit: mm



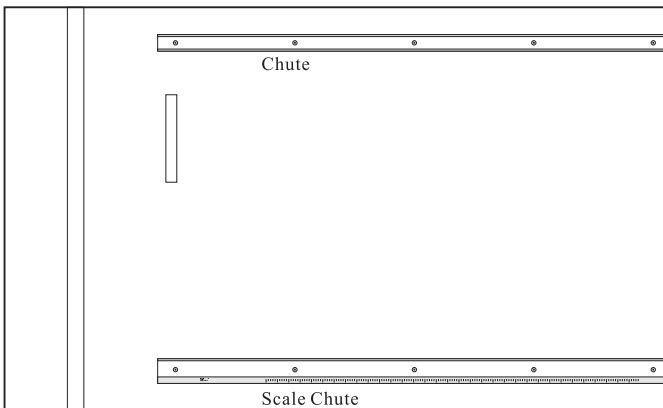
Manufacture of Flip Table

Before the flip, prepare a work table with a thickness of more than 25mm, the material can be density board, multilayer board and so on. Take the size of 1220x738mm as an example (800x1220mm or 800x1500mm can be used). According to the size shown in the figure below, cut three grooves on the table with the groove depth of 13mm and mill the saw mouth of the circular saw (Figure 1-1).



1-1

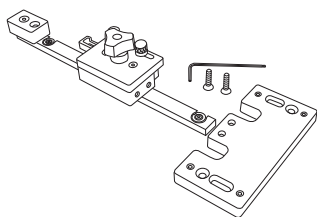
Fix the chute and scale chute with screws into the cut grooves on the table respectively (Figure 1-2).



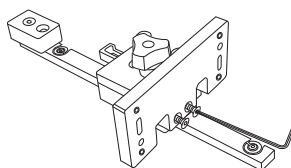
1-2

Fence Assembly

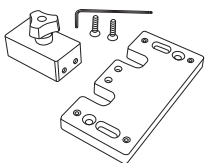
The components of the main bracket (Figure2-1) and the auxiliary bracket (Figure2-3) are assembled respectively (Figure2-2) (Figure2-4).



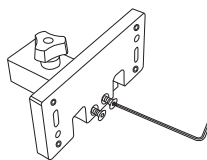
2-1



2-2

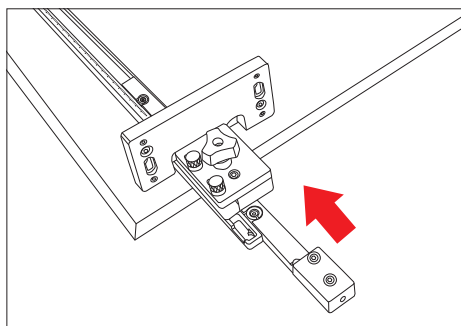


2-3

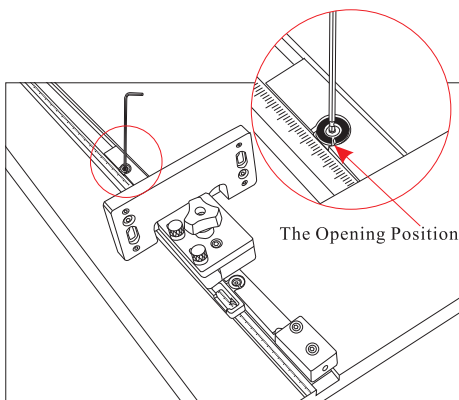


2-4

Install the slider on the main bracket in the scale chute from the edge of the table (Figure2-5). After all the slides on the main bracket install in the chute, adjust the expansion ring on the main bracket slider with a hexagonal wrench. The opening position of the expansion ring should be in the slider, not in the gap (Figure2-6), so that the slider can slide smoothly in the chute with proper clearance and moderate tightness.

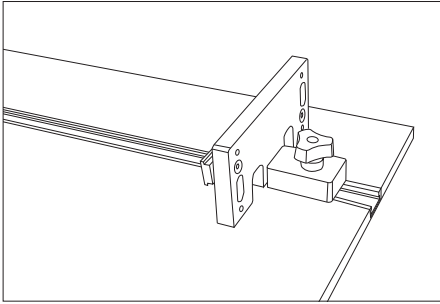


2-5

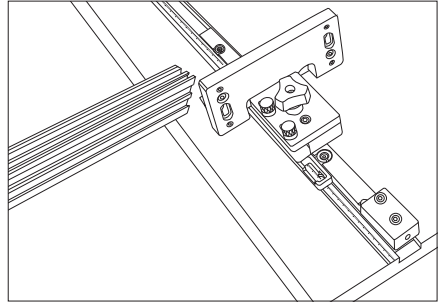


2-6

Install the slider on the auxiliary bracket in the chute groove from the edge of the table (Figure2-7), and align the grooved side of the fence (open it first if there is a cover) with the slider on the main bracket, and install the slider into the groove of the fence (Figure2-8).

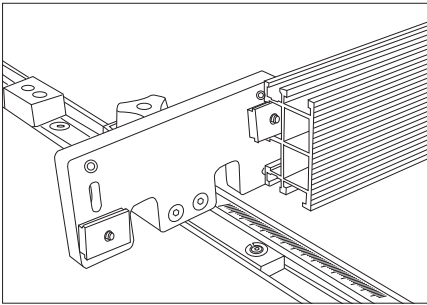


2-7

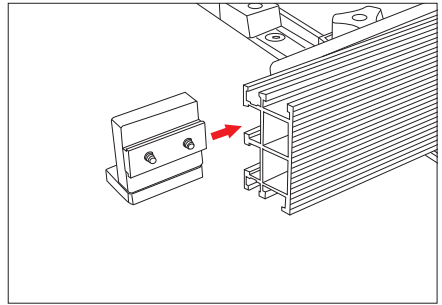


2-8

There are two sliders on the main bracket corresponding to the sliding chute on the fence one by one (Figure2-9), and then install the slider into the sliding chute of the fence successively, and install the slider of the diagonal bar connecting block into the sliding chute of the fence (Figure2-10).

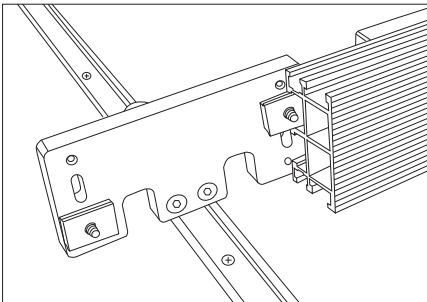


2-9

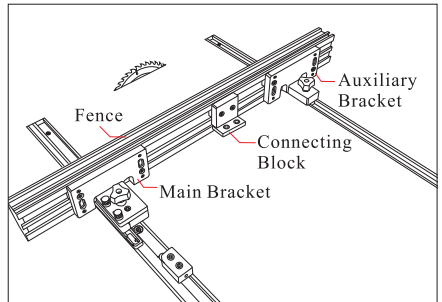


2-10

The two sliders on the auxiliary bracket correspond to the chute on the fence one by one (Figure2-11), and install the slider into the sliding chute of the fence successively, the installation is completed (as shown in figure2-12).

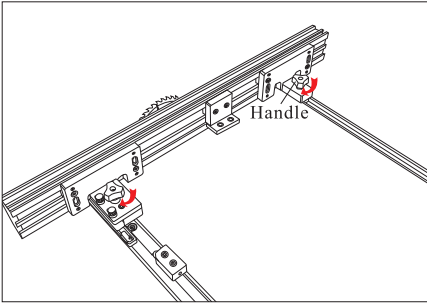


2-11

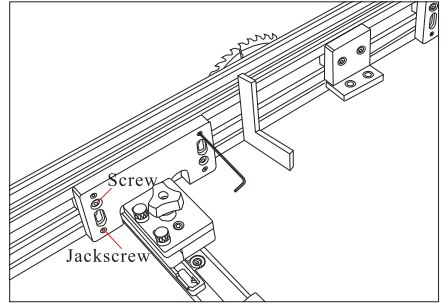


2-12

Move the fence to be close to the saw blade, that is, the fence is parallel to the saw blade, and tighten the fixed handle on the main and auxiliary brackets (Figure2-13). There are four jackscrews on the main and auxiliary supports respectively, which can be used to adjust the verticality between the fence and the table (Figure2-14). Check with a square ruler (do not need to be adjusted if vertical), and lock the fixing screw after the adjustment.

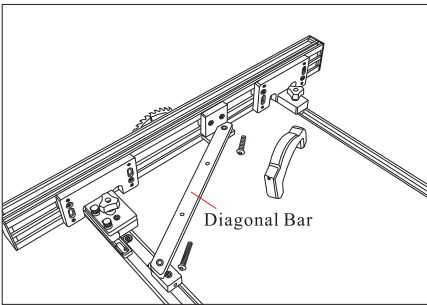


2-13

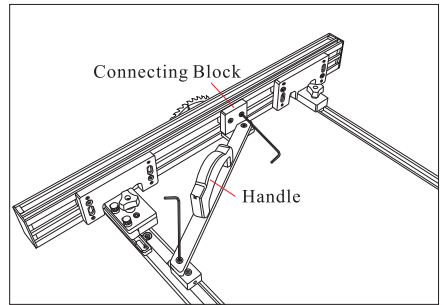


2-14

Adjust the position of the diagonal bar connecting block, fix the diagonal bar on the main bracket with the long screw, fix the other end of the diagonal bar on the connecting block with the short screw and lock it (Figure2-15), install the handle and fit on the screw cover (Figure2-16).

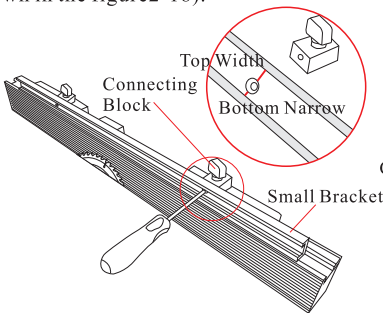


2-15

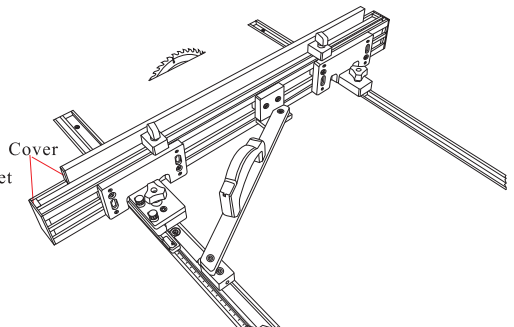


2-16

Install the small bracket on the top of the backer with the connecting block, install the screw hole of the small bracket in the direction of top width and bottom narrow (Figure2-17), fit on the cover of the fence and small bracket. The installation of the electric circular saw flip fence is completed (as shown in the figure2-18).



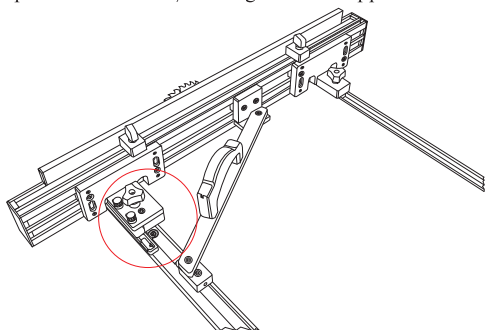
2-17



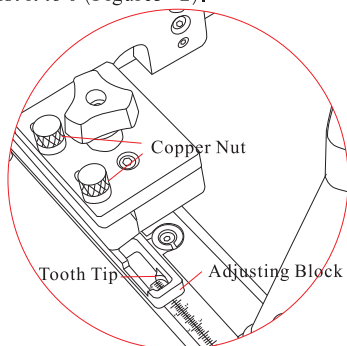
2-18

Adjustment and Use of Fence

Move the fence to be close to the saw blade and lock handles of the main and auxiliary bracket (Figure3-1). Loosen the copper nut on the main bracket by hand, move the adjusting block to align the tooth tip with the 0 scale, then tighten the copper nut and adjust it to 0 (Figure3-2).

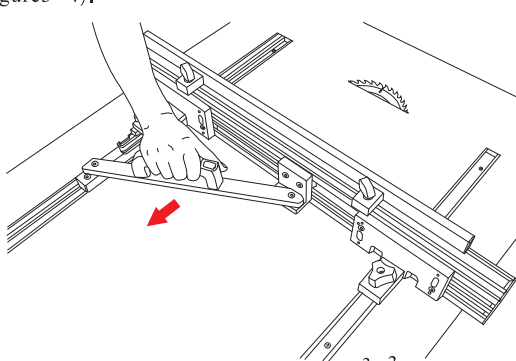


3-1

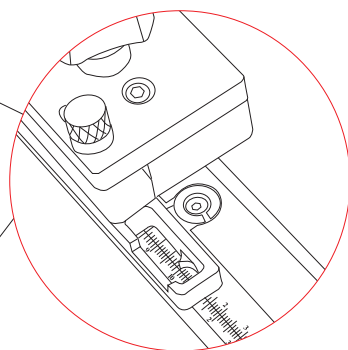


3-2

When using, loosen the fixed handle on the main and auxiliary bracket, hold the handle on the diagonal bar and move the fence (Figure3-3) until the required width, and then lock the fixed handle. For example, when the tooth tip is aligned with the scale of 10, the cutting width is 10 cm (Figure3-4).

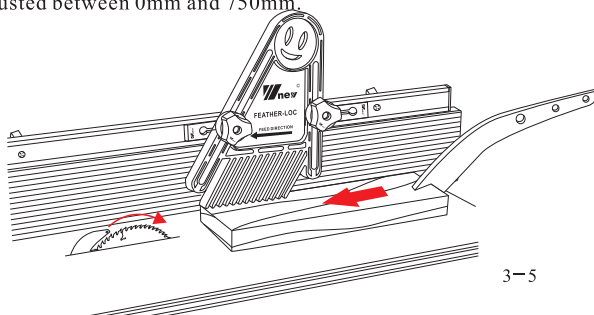


3-3



3-4

Install the feather board on the small bracket (to be purchased separately), push the wood with the push handle and cut by rotating saw blade (3-5). The distance between the fence and the saw blade can be adjusted between 0mm and 750mm.



3-5

Tool Maintenance

Maintenance method: after the work, clean up the sawdust on the fence parts, and wipe it with towel.

